

Wind Speed Sensor

FIRSTRATE SENSOR PRODUCTS

FST200—201 Wind Speed Sensor

Features

- Excellent resistance against impact, overload, shock and erosion
- Small and exquisite, easy to take, simple to install
- Alloy material finish, reasonable structure design and nice outlook quality
- Stainless steel Wind cup, anti-wind load can reach 70m/s

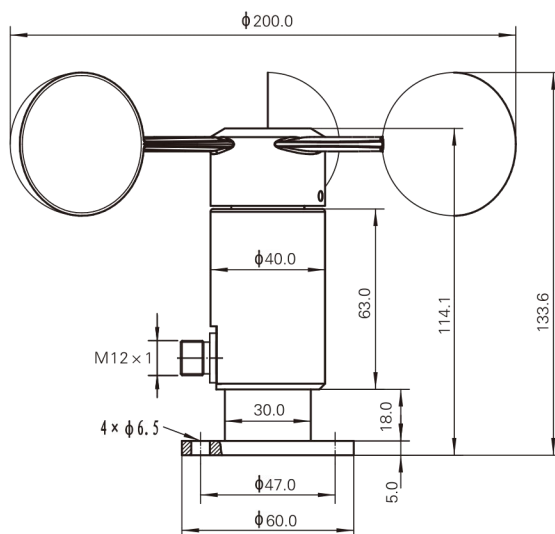
Applicable Scope

- Working aloft testing and control
- Engineering machine testing and control
- Weather station and environment protection testing and control
- Port and wharf environment testing and control
- Other industrial automation about wind speed and direction testing and control



Project	Parameter					
Technical Index	Output	4-20mA	0-5VDC	0-10V	Pulse signal (HZ)	RS485
	Working Voltage	12~30VDC	12~30VDC	15~30VDC	5VDC or 24VDC	
	Testing range	0.5m/s~50m/s				
	Start wind speed	≤0.5m/s				
	Accuracy	± 0.5m/s(<5m/s)				
		± 3%FS(≥5m/s)				
	Working Environment	Temperature: -20°C~+85°C Humidity≤95%RH				
	Limit wind speed	Max: 70m/s 30min				
	Electrical connection	M12				
	Environmental Protection	IP65				

Dimension



M12 Connection	Potential Lead	Output Signal	Serial NO	Wiring Method	
	3-Wire	Current mode	1	+Vcc	Brown
			2	+Vout	White
			3	GND	Blue
			4	PE	Black
	3-Wire	Voltage mode	1	+Vcc	Brown
			2	+Vout	White
			3	GND	Blue
			4	PE	Black
	3-Wire	Pulse mode	1	+Vcc	Brown
			2	+P'ovt	White
			3	GND	Blue
			4	PE	Black