

For Compact Weather Stations

Document Number: 1957-PS-021 Issue 3 applies to units with firmware 2669 V2.XX.XX and Serial Numbers 1801XXXX onwards.



Gill Instruments Limited
Saltmarsh Park, 67 Gosport Street, Lymington,
Hampshire, SO41 9EG, UK

Tel: +44 1590 613500, Fax: +44 1590 613555

Email: anem@gillinstruments.com Website: www.gillinstruments.com

Contents

1.	FOREWORD	6
2.	INTRODUCTION.....	6
2.1.	MaxiMet Part Numbers and Parameters	6
2.1.1	MaxiMet Order Part Numbers (2669 V2.XX.XX Firmware)	6
2.1.2	Summary of MaxiMet Sensors and Derived Parameters.....	7
2.1.3	Wind Speed and Direction Sensor (GMX200, GMX240, GMX500, GMX501, GMX531, GMX541, GMX550, GMX551 and GMX600)	8
2.1.4	Solar Radiation Shield (GMX300, GMX301, GMX400, GMX500, GMX501, GMX531, GMX541, GMX550, GMX551 and GMX600)	8
2.1.5	Barometric Pressure (GMX300, GMX301, GMX400, GMX500, GMX501, GMX531, GMX541, GMX550, GMX551 and GMX600)	9
2.1.6	Temperature, Relative Humidity and Dewpoint (GMX300, GMX301, GMX400, GMX500, GMX501, GMX531, GMX541, GMX550, GMX551 and GMX600) ..	9
2.1.7	Rain (GMX100, GMX240, GMX400, GMX541, GMX600 (and Gill Spare Part 1957-PK-073))	9
2.1.8	Rain (GMX531).....	9
2.1.9	Rain (GMX550 and GMX551)	9
2.1.10	Compass (GMX200, GMX240, GMX500, GMX501, GMX531, GMX541, GMX550, GMX551 and GMX600)	10
2.1.11	Compass Declination.....	10
2.1.12	Solar (GMX101, GMX301, GMX501, GMX531, GMX541 and GMX551).	10
2.1.13	GPS Option (GMX200, GMX240, GMX500, GMX531, GMX541, GMX550, GMX551 and GMX600)	10
2.1.14	Inclinometer (All MaxiMet Models, diagram illustrates a GMX550).....	11
3.	TECHNICAL SPECIFICATION	12
4.	PRE-INSTALLATION	17
4.1.	Equipment supplied	17
4.1.2	Optional Extras/Spares:	17
4.2.	Connector and Cable Assembly.....	17
4.3.	Cabling	20
4.3.1	Cable Type.....	20
4.3.2	Cable Length	20
4.4.	Connections.....	21
4.4.1	View of the MaxiMet Connector looking down at the Cable Side.....	21
4.4.2	9-Way Connector and Cable Connections.....	21
4.5.	Power supplies	22
4.5.1	MaxiMet Units.....	22
4.6.	Connecting to a PC using RS232 (default setting)	22
4.7.	Connecting to a PC using RS422 (Not a default setting).....	23
4.8.	Using RS485 (not a default setting)	23
4.9.	Using SDI-12 (2 wire network, not a default setting).....	24

4.10.	Using the MaxiMet GMX531 with a Supplied Kalyx Rain Gauge or GMX550/GMX551 (user supplies a Rain Gauge)	24
4.11.	Using the MaxiMet GMX541 with supplied Gill Solid State Rain Gauge.....	26
4.12.	Set-Up Requirements	27
4.12.1	Host System	27
4.12.2	Software	27
4.12.3	Bench System Test.....	27
4.13.	Packaging.....	27
5.	INSTALLATION.....	28
5.1.	General Installation Guidelines	28
5.1.1	Interference	28
5.1.2	Wind.....	28
5.1.3	Compass	29
5.1.4	GPS	29
5.1.5	Solar.....	29
5.1.6	Tilt.....	29
5.1.7	Rain	30
5.1.8	General Alignment.....	32
5.1.9	Mounting Tube e.g. Gill Part 1405-30-056.....	32
5.1.10	Mounting Bracket e.g. Gill Part 1771-PK-115	33
5.1.11	Dimensions (in mm).....	34
6.	CONFIGURING WITH METSET.....	38
6.1.	MaxiMet Default Configurations	38
6.2.	Configuring MaxiMet with MetSet.....	55
6.2.1	Opening MetSet.....	55
6.2.2	MetSet Editing Screen	57
6.2.3	MetSet Online Settings	58
6.2.4	MetSet Editing Pages	58
6.3.	Polled Mode.....	69
6.3.1	Configuration for Polled Mode (MaxiMet Set for Power Mode 0).....	69
6.3.2	Data Retrieval in Polled Mode (MaxiMet Set for Power Mode 0).....	69
6.4.	Configuring MaxiMet for SDI-12.....	70
6.4.1	SDI-12 Units of Measure.....	70
6.4.2	SDI-12 Commands	71
6.4.3	SDI-12 Commands with CRC	73
6.5.	Configuring MaxiMet for Modbus	76
6.5.1	MaxiMet Supported Modbus Specification.....	76
6.6.	Configuring MaxiMet for NMEA 0183 Output	88
6.6.1	GMX100 NMEA Output String.....	88
6.6.2	GMX101 NMEA Output String.....	89
6.6.3	GMX200 NMEA Output String.....	90
6.6.4	GMX240 NMEA Output String.....	91
6.6.5	GMX300 NMEA Output String.....	93

6.6.6	GMX301 NMEA Output String.....	94
6.6.7	GMX400 NMEA Output String.....	95
6.6.8	GMX500 NMEA Output String.....	96
6.6.9	GMX501 NMEA output String	98
6.6.10	GMX531, GMX541 and GMX551 NMEA Output String	101
6.6.11	GMX550 and GMX600 NMEA Output String	103
6.7.	Safe Mode	106
6.7.1	Summary.....	106
6.7.2	Safe Mode Method 1	106
6.7.3	Safe Mode Method 2	109
6.8.	Using a Terminal Program to run MaxiMet Check Tilt Function.....	110
6.9.	Using a Terminal Program to Set MaxiMet Date and Time	111
7.	VIEWING MAXIMET DATA STRING	112
7.1.	Use MetSet to View the MaxiMet Data String	112
7.2.	Using Gill MetView Software to View the MaxiMet Data String	113
7.2.1	Opening MetView	113
7.2.2	Scanning for Devices.....	114
7.2.3	The MetView Console.....	115
7.2.4	MetView Console Display Options	116
7.2.5	MetView Gauge Ranges and Graphs.....	117
7.2.6	Data Logging.....	119
7.3.	Use a Terminal Program to View the MaxiMet Data String	120
8.	MAINTENANCE & FAULT-FINDING	123
8.1.	Cleaning and Handling.....	123
8.2.	Servicing.....	123
8.2.1	Precipitation Sensor.....	123
8.2.2	Solar Sensor.....	126
8.2.3	Compass/GPS Modules.....	126
8.2.4	Wind Sensor (WindSonic).....	126
8.2.5	Barometer	126
8.2.6	UV Shield (MetSpec)	126
8.2.7	Temperature, Humidity and Dewpoint	127
8.2.8	GMX531/GMX541/GMX550/GMX551 Side Connector	127
8.2.9	Calibration.....	127
8.3.	Fault-finding.....	127
8.4.	Safe Mode	128
8.5.	Bench Test	128
8.6.	Returning Units.....	129
8.7.	Guarantee.....	129
9.	APPENDICES.....	130
9.1.	MaxiMet Output Parameters selectable using MetSet Software	130

9.2.	Glossary & Abbreviations.....	143
9.3.	Electrical Conformity.....	144

1. FOREWORD

Thank you for purchasing the MaxiMet manufactured by Gill Instruments Ltd.

To achieve optimum performance we recommend that you read the whole of this manual before proceeding with use.

Gill products are in continuous development and therefore specifications may be subject to change and design improvements without prior notice.

The information contained in this manual remains the property of Gill Instruments and must not be copied or reproduced for commercial gain.

2. INTRODUCTION

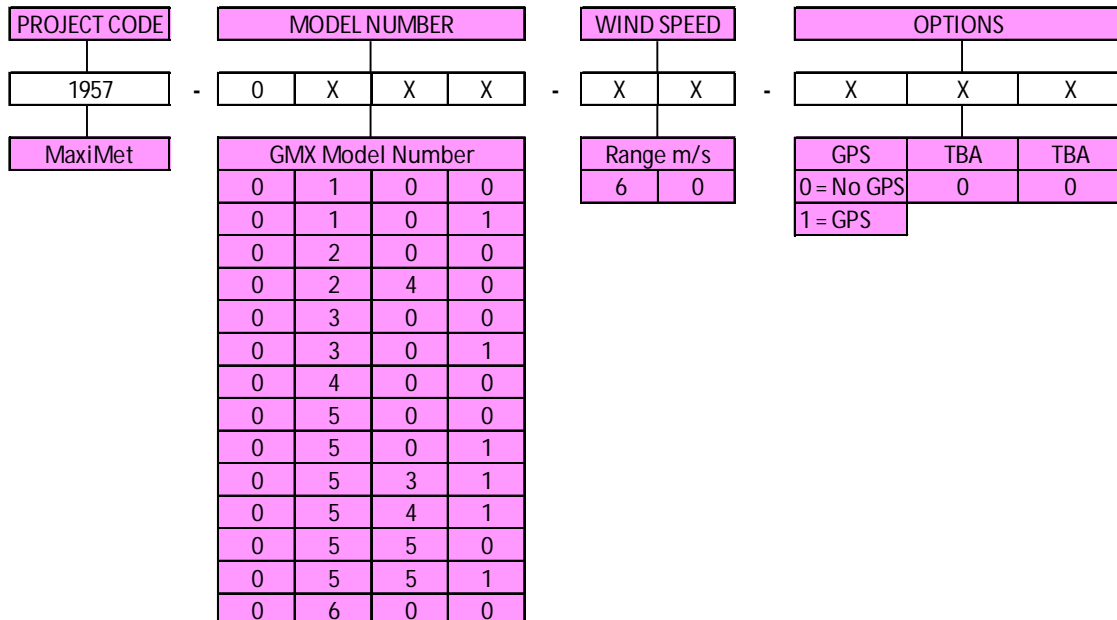
The Gill MaxiMet sensor units are very robust with no moving parts. The sensor units, output rate and formats are all user selectable.

The MaxiMet can be used in conjunction with a PC, data logger or other device.

The MaxiMet combines all the instrument data into a single data string. This may be configured for digital ASCII RS232/RS422/RS485 (2 wire point to point only), digital Modbus RTU/ASCII, NMEA and SDI-12 outputs.

2.1. MaxiMet Part Numbers and Parameters

2.1.1 MaxiMet Order Part Numbers (2669 V2.XX.XX Firmware)



NOTE: For information within the part structure:-

1957-XXX-XX-XXX X – A number greater than 0 identifies the unit to have a Solar Sensor fitted.

1957-05X-XX-XXX X - A number greater than 0 identifies the unit to have an external rain gauge input.

2.1.2 Summary of MaxiMet Sensors and Derived Parameters

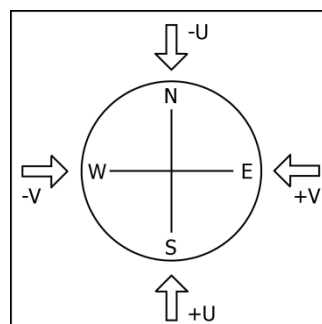
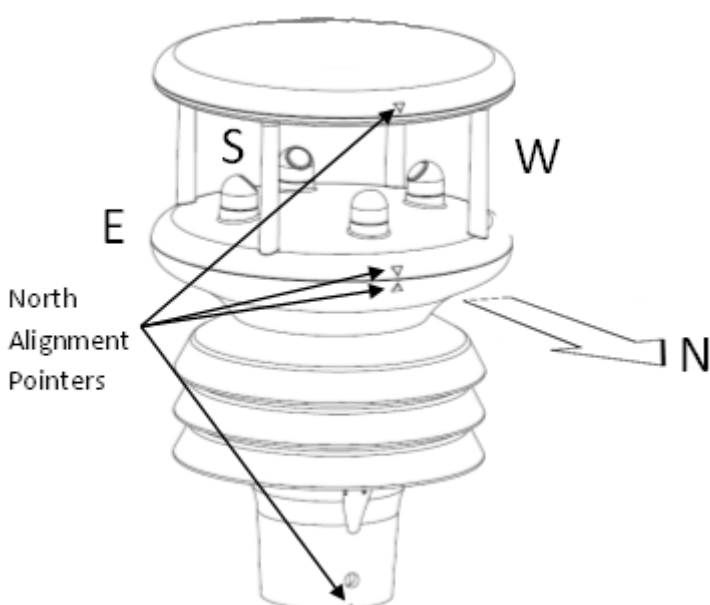
(See Appendices, Para 9.1 for more details).

GMX Sensor Parameter	100	101	300	301	400	200	240	500	501	531	541	550	551	600
Wind Speed, Relative														
Wind Direction, Relative														
Compass, Heading														
Temperature, Air														
Humidity, Relative														
Barometric Pressure														
Rain/Precipitation (External Gauge)														
Solar Radiation														
GPS (option)						Opt	Opt	Opt	Opt	Opt	Opt	Opt	Opt	Opt
GMX Derived Parameter	100	101	300	301	400	200	240	500	501	531	541	550	551	600
Average Speed (WMO)														
Average Direction (WMO)														
Average Corrected Direction (WMO)														
Corrected Direction														
Gust Direction (WMO)														
Gust Speed (WMO)														
Status (Sensors)														
Wind Status														
Dewpoint														
Absolute Humidity														
Pressure at Sea Level														
Pressure at Station														
Precipitation Intensity														
Precipitation Total														
Precipitation Status														
Wind Chill														
Heat Index														
Air Density														
Wet Bulb Temperature														
Solar (sunshine) Hours														
Twilight														
Sunrise														
Solar Noon														
Sunset														
Position of the Sun														
Angle of Tilt														
Node Letter														
Volts (Supply)														
Time (and Date)														
Corrected Speed						GPS Opt	GPS Opt	GPS Opt	GPS Opt	GPS Opt	GPS Opt	GPS Opt	GPS Opt	GPS Opt
Average Corrected Speed (WMO)						GPS Opt	GPS Opt	GPS Opt	GPS Opt	GPS Opt	GPS Opt	GPS Opt	GPS Opt	GPS Opt
Corrected Gust Speed						GPS Opt	GPS Opt	GPS Opt	GPS Opt	GPS Opt	GPS Opt	GPS Opt	GPS Opt	GPS Opt
Corrected Gust Direction						GPS Opt	GPS Opt	GPS Opt	GPS Opt	GPS Opt	GPS Opt	GPS Opt	GPS Opt	GPS Opt
GPS Location (Longitude/Latitude)						GPS Opt	GPS Opt	GPS Opt	GPS Opt	GPS Opt	GPS Opt	GPS Opt	GPS Opt	GPS Opt
GPS Heading						GPS Opt	GPS Opt	GPS Opt	GPS Opt	GPS Opt	GPS Opt	GPS Opt	GPS Opt	GPS Opt
GPS Speed						GPS Opt	GPS Opt	GPS Opt	GPS Opt	GPS Opt	GPS Opt	GPS Opt	GPS Opt	GPS Opt
GPS Status						GPS Opt	GPS Opt	GPS Opt	GPS Opt	GPS Opt	GPS Opt	GPS Opt	GPS Opt	GPS Opt

2.1.3 Wind Speed and Direction Sensor (GMX200, GMX240, GMX500, GMX501, GMX531, GMX541, GMX550, GMX551 and GMX600)

The MaxiMet uses the Gill WindSonic wind speed and direction sensor. The WindSonic measures the times taken for an ultrasonic pulse of sound to travel from the north (N) transducer to the south (S) transducer, and compares it with the time for a pulse to travel from S to N transducer. Likewise times are compared between west (W) and east (E), and E and W transducer.

If, for example, a north wind is blowing, then the time taken for the pulse to travel from N to S will be faster than from S to N, whereas the W to E and E to W times will be the same. The wind speed and direction can then be calculated from the differences in the times of flight on each axis. This calculation is independent of factors such as temperature.



Compass points: The compass point and polarity of U and V if the wind components along the U and V axis are blowing in the direction of the respective arrows.

MaxiMet can output the following wind readings depending on use of a Compass or GPS:

- Relative wind – wind speed and/or direction, uncorrected, but relative to the north marker, which may not be facing north.
- Corrected wind – with the aid of the Compass Magnetic North corrected wind direction can be output.
- True wind – wind speed and/or direction information corrected by GPS for any direction misalignment of the north marker and/or for any motion of the station. (E.g. vehicle or vessel).

2.1.4 Solar Radiation Shield (GMX300, GMX301, GMX400, GMX500, GMX501, GMX531, GMX541, GMX550, GMX551 and GMX600)

A MetSpec Multi-Plate Solar Radiation Shield is used. The special shield plate geometry, with its double louvre design, provides excellent response time performance of quick ambient temperature changes while still working effectively as a baffle to stop larger contaminants such as salt or dirt from reaching the temperature and humidity sensor. The shield benefits from very robust material choice and extremely high UV protection requiring no maintenance.



2.1.5 Barometric Pressure (GMX300, GMX301, GMX400, GMX500, GMX501, GMX531, GMX541, GMX550, GMX551 and GMX600)

Barometric pressure is provided by a solid-state device fitted onto a board inside a MaxiMet moulding.

2.1.6 Temperature, Relative Humidity and Dewpoint (GMX300, GMX301, GMX400, GMX500, GMX501, GMX531, GMX541, GMX550, GMX551 and GMX600)

There is internal solid state sensor circuitry contained within the radiation shield that provides digital output signals for Relative Humidity, Temperature and calculated Dewpoint.

2.1.7 Rain (GMX100, GMX240, GMX400, GMX541, GMX600 (and Gill Spare Part 1957-PK-073))

Rain drop detection and a reading of Rain level is provided by using an optical infra-red beam sensor. Infra-red beams bounce off the inner optical surface between transmitters and receivers. Depending on rain drop levels the intensity of the beams change and internal digital signal processing allows a measurement of Rain levels to be made. The sensor increments rain detected in default 0.080mm steps but tip size can be changed. The GMX541 rain gauge is supplied with a 20M lead with 9 way and 4 way connectors fitted.

NOTE: The Optical Sensor provides a General Indication only of rainfall levels for use in situations where low maintenance is required. Use a tipping bucket or equivalent with a MaxiMet (e.g. GMX531, GMX550- and GMX551) where reference quality precipitation measurements are required.

2.1.8 Rain (GMX531)

A reading of Rain levels is provided by a supplied remote Kalyx traditional tipping bucket rain gauge. A switch contact closure provides a connection to the GMX531 through a plug-in connector where a tip occurs for 0.200 mm of rainfall. For rainfall rates above 120mm/hour and up to 1000mm/hour then contact EML in the UK for a mathematical correction to readings.

The Kalyx rain gauge is supplied wired to a 20 metre long cable which has a 4-way connector fitted to it that plugs into a socket in the moulding of the GMX531.

2.1.9 Rain (GMX550 and GMX551)

A Rain Gauge switch contact closure is required to be connected through the 4 way plug-in connector, to register that a tip has occurred. The default tip size is 0.000mm but this can be adjusted by the user to suit their supplier rain gauge.

2.1.10 Compass (GMX200, GMX240, GMX500, GMX501, GMX531, GMX541, GMX550, GMX551 and GMX600)

MaxiMet contains a 2-axis flux gate compass.

MaxiMet uses the internal compass to electronically sense the horizontal component of the Earth's magnetic field. Wind direction data is corrected for the orientation of the sensor. The output of the wind direction is relative to magnetic North. The MaxiMet compass is calibrated at Gill Instruments before the unit is delivered.

Prior to installing MaxiMet it is suggested that for best accuracy a declination figure should be entered. Use of the Compass-Corrected Wind Direction readings allows the unit to be installed such that accurate positioning of the MaxiMet north marker is not required.

Caution: Gill provide a derived parameter for corrected wind direction and speed information, this derived parameter is based on an algorithm devised by Gill and may not satisfy or meet other known valid standards for correcting a moving object's wind speed and direction heading. Details on the algorithm used are included in the Appendix Para 9.1.

2.1.11 Compass Declination

Declination is the magnetic declination (the angle between Magnetic North and True North) in degrees. This is a correction factor that is added to the Magnetic North heading from the compass.

Map and declination figures in decimal figures can be obtained from:

- <http://www.geosats.com/magdecli.html>
- <http://www.ngdc.noaa.gov/geomag/declination.shtml>

2.1.12 Solar (GMX101, GMX301, GMX501, GMX531, GMX541 and GMX551)

MaxiMet uses a high quality Hukseflux LPO2 second class Solar Radiation/Pyranometer which complies with ISO 9060. This highly accurate instrument uses thermopile technology to measure hemispherical solar radiation from a 180 degree field of view angle.

2.1.13 GPS Option (GMX200, GMX240, GMX500, GMX531, GMX541, GMX550, GMX551 and GMX600)

MaxiMet uses a highly accurate GPS antenna receiver module including a ceramic GPS patch antenna. The module is capable of receiving signals from up to 48 GPS satellites and transferring them into position and timing information that can be read over a serial port. Small size and high-end GPS functionality are combined with low power consumption.

When GPS Speed and GPS Heading are available and GPS Speed transitions are above 5m/s, Corrected Wind Speed shall be computed as the True Wind Speed using GPS Speed and GPS Heading.

2.1.14 Inclinometer (All MaxiMet Models, diagram illustrates a GMX550)

MaxiMet outputs Tilt co-ordinates X and Y in terms of degrees and Z in terms of orientation.

Normal Tilt Output

- X-Tilt shall be displayed in degrees with 2 signed integral digits over the range $\pm 89^\circ$.
With respect to the MaxiMet north marker:-
 - +XX shall indicate that the unit is tipping towards east.
 - XX shall indicate that the unit is tipping towards west.
- Y-Tilt shall be displayed in degrees with 2 signed integral digits over the range $\pm 89^\circ$.
 - +YY shall indicate that the unit is tipping towards north.
 - YY shall indicate that the unit is tipping towards south.
- Z-Orientation shall be displayed as +1 or -1.
 - +1 (normal upright position (± 90 degrees)).
 - 1 (inverted position (± 90 degrees)).



Check Tilt Output

Units with an Inclinometer have a more accurate X and Y Tilt 4Hz output that also includes compass heading (on wind output units) that can be configured with a PC terminal program during installation if required (see para 6.8).

- X-Tilt shall be displayed in degrees with up to 2 integral digits and a decimal point over the range $\pm 89.9^\circ$.
- Y-Tilt shall be displayed in degrees with up to 2 integral digits and a decimal point over the range $\pm 89.9^\circ$.
- Z-Orientation shall be displayed as +1 or -1.
- The compass reading (on wind output models) shall be output in degrees (000-359).

3. TECHNICAL SPECIFICATION

Wind Speed	
Range	0.01 to 60m/s
Accuracy	± 3% 0.01m/s to 40m/s ± 5% above 40 and up to 60m/s
Resolution	0.01m/s
Threshold	0.01m/s
Units of Measure	Metres/Sec, Knots, Miles/Hour, Kilometres/Hour, Feet/minute.
Wind Direction	
Range	0-359 degrees – No dead band
Accuracy	± 3° 0.01m/s to 40m/s ± 5° above 40 and up to 60m/s
Resolution	1°

Compass	
Range	0-359 degrees
Resolution Compass Heading	1°
Units of Measure	Degrees
Accuracy	± 3°

Air Temperature	
Range	-40°C to +70°C
Accuracy	±0.3°C @ 20°C
Resolution	0.1°C
Units of Measure	°C or °F or °K

Relative Humidity	
Range	0-100%
Accuracy	±2% @ 20°C (10% to 90% Relative Humidity)
Resolution	1%
Units of Measure	% RH

Dewpoint	
Range	-40°C to +70°C
Resolution	0.1°C
Accuracy	±0.3°C @ 25°C
Units of Measure	°C or °F or K

Barometric Pressure	
Range	300 to 1100hPa
Accuracy	±0.5hPa @ 25°C
Resolution	0.1hPa
Units of Measure	hPa, mbar, mmHg, InHg

Rain GMX100, GM240, GMX400, GMX541 and GMX600 with Solid State Rain Gauge (RG11)	
Precipitation Intensity	0 to 150mm per hour.
Resolution	0.0.08mm rain/tip (default – adjustable, 0.001 to 9.998mm/tip)
Units of Measure	millimetres, inches

Rain GMX531 with External Tipping Bucket Kalyx Rain Gauge	
Precipitation Intensity	0 to 120mm per hour accuracy as below. For use with intensities above 120mm/hr contact EML Instruments.
Resolution	0.200mm rain/tip
Accuracy	98%+ at 20mm/hr, 96%+ at 50mm/hr, 95%+ at 120mm/hr
Units of Measure	millimetres, inches

Rain GMX541 with External Solid State Rain Gauge (RG11)	
Precipitation Intensity	0 to 150mm per hour
Resolution	0.080mm/tip(default – adjustable, 0.001 to 9.998mm/tip)
Units of Measure	millimetres, inches
Digital Input	Contact closure input capable of capturing events up to 1.4Hz
	Minimum Contact Closure time - 11mS
	Minimum time between closures - 500mS
	Capable of reading a switch contact closure providing the total digital switch contact resistance (contact and cabling) is less than 20 ohms
Power Supply Output	+12v dc \pm 1v dc at up to 100mA for Solid State Rain Gauge.

Rain GMX550 and GMX551 for use with an External Rain Gauge	
Precipitation Intensity	Maximum rate of 1000mm per hour based on 0.2mm per tip
Resolution	As per tip setting (default 0.000mm/tip, adjustable 0.000mm to 9.998mm per tip to match external rain gauge)
Units of Measure	millimetres, inches
Digital Input	Contact closure input (for tipping bucket rain gauge) capable of capturing events up to 1.4Hz
	Minimum Contact Closure time - 11mS
	Minimum time between closures - 500mS
	Capable of reading a switch contact closure providing the total digital switch contact resistance (contact and cabling) is less than 20 ohms

Solar	
Range	300 to 3000nm
Intensity Range	0 to 1600W/m ²
Resolution	1W/m ²
Units of Measure	W/m ²
DIN Standard	ISO 9060 Second Class

GPS	
Horizontal Position accuracy	Less than 2.5m Circular Error Probability (Selective Availability Off)
Time to fix	Less than 45 seconds from unit power up when stationary
Channels	48
Accuracy	Longitude and latitude report to 6 decimal places
GPS Time Update	Allow 1 hour upon switch on for GPS time update

Real Time Clock	
Format Date and Time	YYYY-MM-DDThh:mm:ss.s, e.g. 2014-12-25-T22:34:56.1
Updating	Manual setting or via GPS option
Power Loss Accuracy	±10 seconds for at least 24 hours after power removed from MaxiMet

Inclinometer	
X Tilt	±89 degrees
Y Tilt	±89 degrees
Z Orientation	+1 Upright, -1 Inverted
Resolution	X-Tilt and Y-Tilt measurements have a resolution of 1 degree
Accuracy	Tilt accuracy ±3° for X-Tilt, Y-Tilt and Z-Orientation
Check Tilt Mode	X, Y and Z output only
X and Y Tilt in Check Tilt Mode	±89.9 degrees, 4 Hz Output

Outputs	
Digital Outputs	Gill ASCII RS232, RS422, RS485* or SDI-12. (RS232 point to point and RS485 2 wire networkable – Modbus RTU/ASCII)
Baud Rates	1200 (SDI-12), 4800-57600 (ASCII RS232, RS422, RS485*) 9600-19200 (Modbus RTU/ASCII)
Protocols	ASCII, SDI-12 V1.3, NMEA 0183 or Modbus RTU/ASCII
Data Output	1 reading per second (1 Hz), 1 reading per minute, 1 reading per hour or Polled Mode
MaxiMet Status	Status codes provided within the data message string

***2 wire point to point**

Power Supply	
Input Voltage (RS232, RS422, RS485)	5V to 30V DC
Average Current at 12V DC with Power Saving Mode disabled (default)	GMX100 – 42mA GMX101 – 28mA GMX200 – 22mA GMX240 - 64mA GMX300 – 5mA GMX301 – 5.5mA GMX400 – 45mA GMX500 – 24mA GMX501 – 24mA GMX531 - 25mA GMX541 – 60mA (includes the Rain Sensor) GMX550 – 27mA GMX551 - 25mA GMX600 – 64mA For GPS-enabled units allow for an additional 10mA

Average Current at 12V DC in Power Saving Mode and output a reading once per hour	GMX100 - 0.7mA GMX101 – Not Applicable GMX200 – 0.7mA GMX240 – 0.7mA GMX300 - 0.7mA GMX301 – 0.7mA GMX400 - 0.7mA GMX500 – 0.7mA GMX501 – 0.7mA GMX531 – 0.7mA GMX541 – 0.7mA GMX550 – 0.7mA GMX551 – 0.7mA GMX600 – 0.7mA For GPS-enabled units allow for an additional 6mA
---	--

Environmental	
Protection Class	IP66
EMC	BS EN 61326 FCC CFR47 Parts 15.109
Operating Temperature	-40°C to +70°C
Storage Temperature	-40°C to +80°C
Humidity	0-100%
RoHS Compliant	Yes

Mechanical	
External Construction	Polycarbonate
Fittings	Bolt fittings supplied for securing the unit to a vertical pipe of diameter 44.45mm
Overall Dimensions	
GMX100 and GMX541 rain sensor	142mm x 142mm x 142mm
GMX101	146mm x 142mm x 142mm
GMX200	169.5mm x 142mm x 142mm
GMX240	209.5mm x 142mm x 142mm
GMX300	155mm x 142mm x 142mm
GMX301	198mm x 142mm x 142mm
GMX400	195mm x 142mm x 142mm
GMX500	222mm x 142mm x 142mm
GMX501	146mm x 142mm x 142mm
GMX531	264mm x 142mm x 142mm
GMX541	264mm x 142mm x 142mm
GMX550	222mm x 142mm x 142mm
GMX551	264mm x 142mm x 142mm
GMX600	261mm x 142mm x 142mm
Kalxy Tipping Bucket Rain Gauge	225mm x 245mm x 127mm (includes baseplate)

Weight	
GMX100 and GMX541 rain sensor	0.4kg
GMX101	0.4kg
GMX200	0.5kg
GMX240	0.5kg
GMX300	0.48kg
GMX301	0.6kg
GMX400	0.5kg
GMX500	0.7kg
GMX501	0.8kg
GMX531	0.8kg
GMX541	0.8kg
GMX550	0.8kg
GMX551	0.8kg
GMX600	0.8kg
Kalyx Tipping Bucket Rain Gauge	1kg including baseplate, 1.2kg with baseplate and 20 metre lead

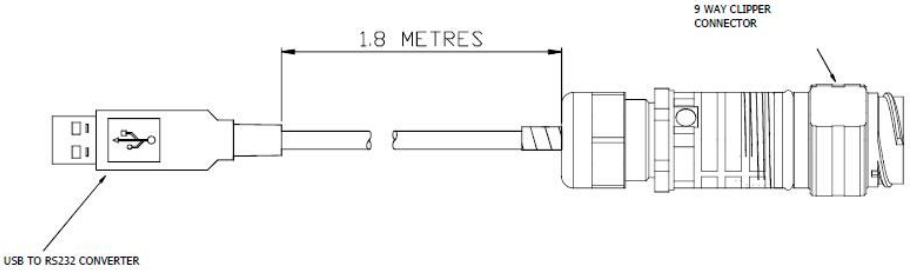
Software	
MetSet Configuration	Free software on the supplied CD providing the means of configuration of the MaxiMet
MetView	Free software on the supplied CD providing the means of viewing MaxiMet data graphically and logging data

4. PRE-INSTALLATION

4.1. Equipment supplied

- MaxiMet and associated Rain Gauge/cables as applicable.
- Installation kit (1405-PK-069) comprising of a 9-way connector kit and 3 off M5 bolts and washers to bolt the unit to a mounting pole.
- MaxiMet User Manual and MetSet Software on a CD in the MaxiMet box (this manual).
- Product Test Report.

4.1.2 Optional Extras/Spares:

Item	Part Number
Cable 3 Pair twisted and shielded wires, 24 AWG, per metre.	026-02660
Cable 4 Pair twisted and shielded wires, 24 AWG, per metre.	026-03156
Cable 15 metres (4 pair twisted and shielded 24 AWG – connector pins attached to one end and stripped wires the other).	1405-10-080
Cable 20 Metre 4 pin connector one end, stripped wires other end, for external rain gauge (use with GMX531/GMX541/GMX550/GMX551).	1957-10-066
Cable 20 Metre 4 pin connector one end, 9 way connector the other (for GMX541).	1957-10-064
Connector only, 4 way will fit GMX531/GMX541/GMX550 and GMX551.	020-06496
9-way connector and 3 mounting bolts (1 supplied with the unit)	1405-PK-069
0.5m x 50mm aluminium support tube tapped for MaxiMet mounting bolts	1405-30-056
MaxiMet mounting bracket	1771-PK-115
Rain Gauge, Kalyx Tipping bucket only (no cable attached).	1957-PK-069
Rain Gauge. ARG100 Tipping bucket (no cable attached)	1723-PK-076
Rain Gauge, Solid State for GMX541 (no cable or connector supplied).	1957-PK-073
MaxiMet 1.8m RS232 to USB converter including 5V DC power and communication configuration cable (9-way MaxiMet connector fitted one end and USB connector at the other end).	1957-10-065
	

4.2. Connector and Cable Assembly

The MaxiMet is supplied with a mating 9-way connector.

Part Name	Souriau Clipper Part Number
Connector 9-way	CL1F1201
Backshell	CL101021
Solder bucket contacts (9 required)	CM10SS10MQ

10. Continue to insert all of the contacts you require. Once all of the contacts are inserted push the red retainer into place. NB: The retainer can only be pushed back into place if the contacts are fully engaged.



11. Fit the connector to the MaxiMet so that you can finish assembling the connector.



12. Screw the back shell onto the connector until it is fully in place. Please note that the final rotations can be slightly stiff.



13. Now screw the next part of the connector into place.



14. Now screw the cable-clamping nut into place.



15. The connector can now be removed from the MaxiMet.

Note: To disassemble the connector, reverse this procedure.

4.3. Cabling

All MaxiMets have five output communication connection options:

- USB (using the 1.8m MaxiMet RS232 to USB cable, Part No. 1957-10-065)
- RS232
- RS422
- RS485 (Gill ASCII, two wire point to point) Modbus two wire networkable.
- SDI-12

MaxiMets GMX531, GMX541, GMX550 and GMX551 have a rain gauge contact closure input. For details see Technical Specification in para 3.

Note: It is important that the cable is appropriate for the chosen communication network. The following sections describe the recommended types and maximum lengths of cable in each case.

4.3.1 Cable Type

Digital Communications

Wire type:	24 AWG
Wire size:	7x32 AWG.
Cable outer diameter:	6-12mm (to match the connector gland).

For RS422/485 operation the cable should have twisted pairs with drain wire, screened with aluminised tape, with an overall PVC sheath. Typical wire size 7/0.2mm (24 AWG).

The table below shows an example manufacturers' reference; other manufacturers' equivalents can be used.

Tipping Bucket

Wire type:	24 AWG (to fit MaxiMet GMX531/550/551, 4-way M8 connector)
Cable outer diameter:	3.5mm to 5mm (to match the connector gland)

Recommended cable types

Application	No. of Pairs	24 AWG Gill Ref.	24 AWG Belden Ref.	24 AWG Batt Electronics Ref.
SDI-12	2	-	9729	-
Digital RS232 or RS485 2 wire	3	026-02660	9730	91030
Digital RS422	4	026-03156	9728	91199
Tipping Bucket	1-2	See above	NA	NA

4.3.2 Cable Length

The maximum cable length is dependent on the chosen communication method.

The following table shows the maximum cable lengths for the supported communication protocols at the given baud rates, using the recommended cable. If any problems of data corruption etc. are experienced, then a slower baud rate should be used. Alternatively, a higher specification cable can be tried.

Suggested maximum cable lengths for supported communication networks

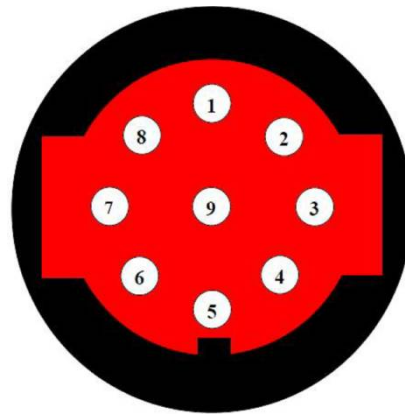
Communication format	Baud rate	Max. cable length
RS232	19200	6.5m
RS422/RS485	19200	1000m
SDI-12	1200	90M

GMX531/541/550/551	Max. cable length
Contact switch closure	Switch resistance plus there and back cable resistance to be less than 20 ohms.

4.4. Connections

Any cable wires not used should be isolated and grounded at the terminating equipment/user end. Digital 0V should be used in conjunction with RS422 Tx/Rx lines in order to improve noise immunity.

4.4.1 View of the MaxiMet Connector looking down at the Cable Side



4.4.2 9-Way Connector and Cable Connections

9-Way Connector Number	Signal Designation
1	Signal Ground
2	Supply +ve
3	Supply -ve
4	RS422/485 TXD+
5	RS232 TXD, RS422/RS485 TXD-
6	RS422/RS485 RXD+
7	RS232 RXD, RS422/RS485 RXD-
8	Comms Select Only. Applicable if MaxiMet COMMS Interface Setting set for EXT using MetSet. If MaxiMet is set for EXT Comms then:- For RS232 connect Pin 8 to Pin 2 +ve. For RS422 leave Pin 8 open circuit or connect to Pin 3 -ve.
9	SDI-12 Data

4.5. Power supplies

4.5.1 MaxiMet Units

Supply Voltage: 5V to 30V DC

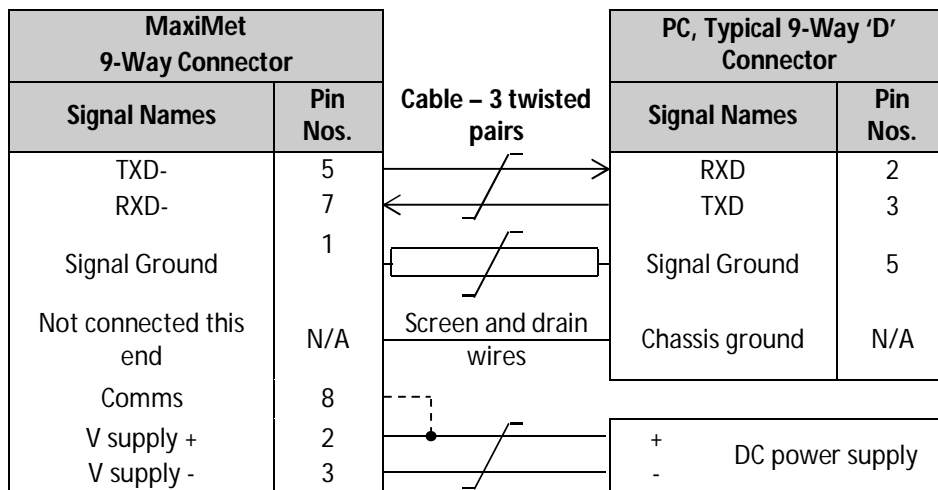
Average current at 12V DC with power saving mode disabled (add 10mA for GPS versions):

GMX100	42mA
GMX101	6mA
GMX200	22mA
GMX240	64mA
GMX300	5mA
GMX301	5.5mA
GMX400	45mA
GMX500	24mA
GMX501	24mA
GMX531	37mA
GMX541	60mA (includes the rain sensor)
GMX550	27mA
GMX551	37mA
GMX600	64mA

MaxiMet has reverse polarity protection.

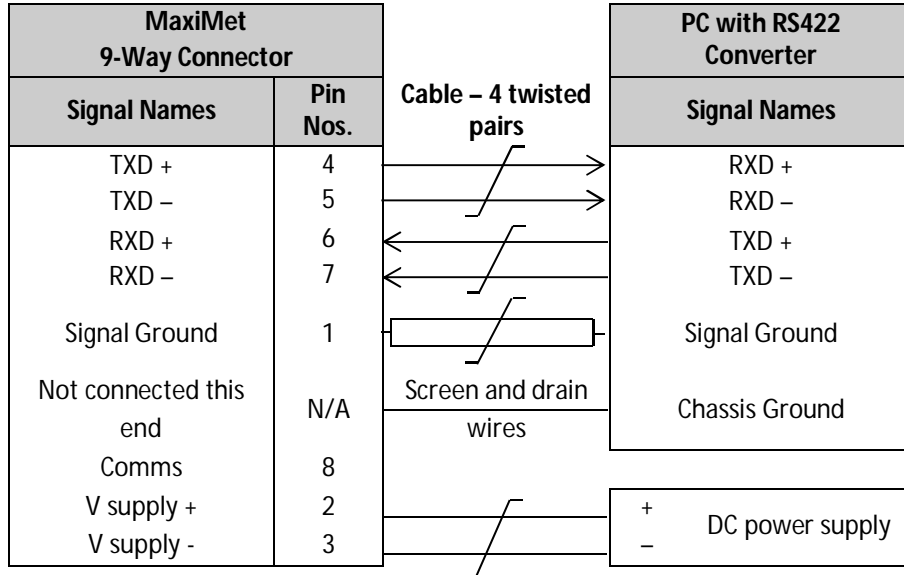
4.6. Connecting to a PC using RS232 (default setting)

- **MaxiMet default factory communications setting is RS232**
- The recommended cable length for reliable operation is limited to 6.5m (20ft)
- For longer cable runs, we recommend use of RS422 output
- As an alternative method of using MaxiMet with RS232 communications change the MetSet COMMS setting from RS232 to EXT and connect Pin 8 to the +ve supply connection (dotted line connection)
- If EXT is selected and Pin 8 is left open circuit then note that RS422 comms will be set



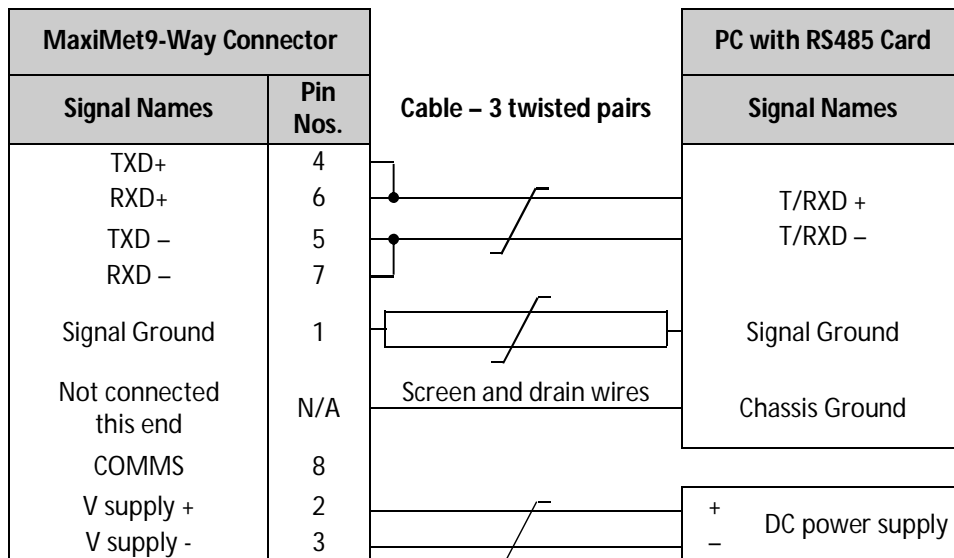
4.7. Connecting to a PC using RS422 (Not a default setting)

- **MaxiMet default factory comms setting is RS232**
- To use the MaxiMet with RS422 comms use MetSet to change the COMMS interface setting to RS422
- Alternatively, use MetSet to change the COMMS interface setting to EXT and leave connector Pin 8 open circuit
- If EXT is selected and Pin 8 connected to Pin 2 supply positive then COMMS will change to RS232



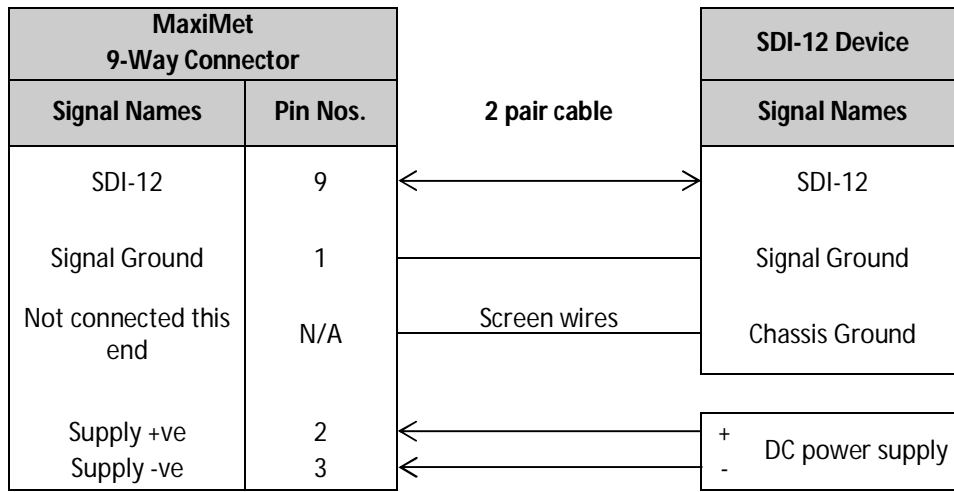
4.8. Using RS485 (not a default setting)

- **MaxiMet default factory comms setting is RS232.**
- To use the MaxiMet with RS485 2 wire communication use MetSet to change the COMMS Interface setting to RS485P 2W.
- For Gill ASCII two wire point to point only mode use MetSet to **change the Message setting from CONT (Continuous) to POLL**, the node address letter may be changed if required.
- For RS485 two wire fully networkable Modbus Mode **leave the Message setting in CONT (Continuous).**
- Leave connector Pin 8 open circuit.



4.9. Using SDI-12 (2 wire network, not a default setting)

- **MaxiMet default factory comms setting is RS232**
- Use MetSet to change the COMMS interface setting to SDI-12

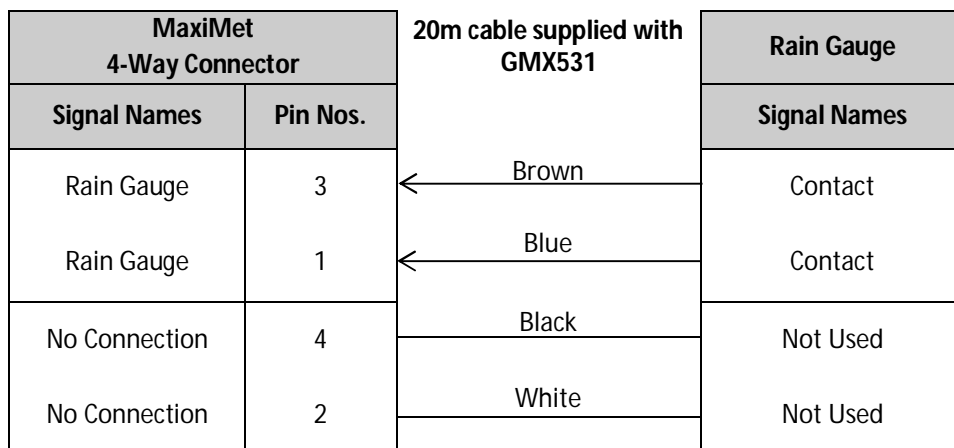


4.10. Using the MaxiMet GMX531 with a Supplied Kalyx Rain Gauge or GMX550/GMX551 (user supplies a Rain Gauge)



GMX531 System 4-way connector on a 20 Metre lead GMX550 GMX551

Wiring Details



GMX531

A Kalyx tipping bucket rain gauge is supplied with the GMX531 and it is pre-wired with a 20m cable and 4-way connector (Gill Part No. 1957-10-066) to plug into the GMX531.

MaxiMet GMX531 default tip size is set for 0.200mm/tip to match the Kalyx tipping bucket.

A protective cap is supplied on the GMX531 4 way outlet socket. This should be fitted at any time that the external rain gauge cable is disconnected from the sensor.

GMX550/GMX551

The GMX550/GMX551 is not supplied with a rain gauge.

MaxiMet GMX550 default tip size is set for 0.000mm/tip (to be used with a Rain Yes or No indication Sensor that provides a contact closure for Rain and an open contact for No rain).

For use with a tipping bucket contact closure type change GMX550/GMX551 tip setting using Gill MetSet to match the tipping bucket figure (0.001 to 9.998mm).

A 4 way connector is supplied (Gill Part 020-06496):

Binder M8, Series 768, female, angled connector solder, part # 99 3378 00 04.

Will accept 24 AWG wire and has a cable outlet for 3.5mm to 5mm diameter wire.

Typical suitable cable characteristics for the above connector are:

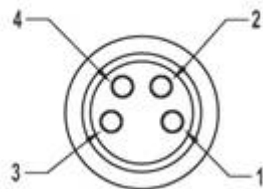
Wire Gauge (AWG)	24
Single Lead Structure	32 x 0,1
Cable sheath	4.5mm
Conductor Resistance	79,9Ω/Km

A 20m cable with fitted 4-way connector at one end and stripped wires at the other is available as an optional accessory for the GMX550/GMX551 (Gill Part No. 1957-10-066).

An example of a 5m, 4-way connector and 4-way cable is as follows:

Binder Series 718, part # 77 3708 0000 50004-0500.

Connector illustration and wiring (view looking at the cable connector socket).

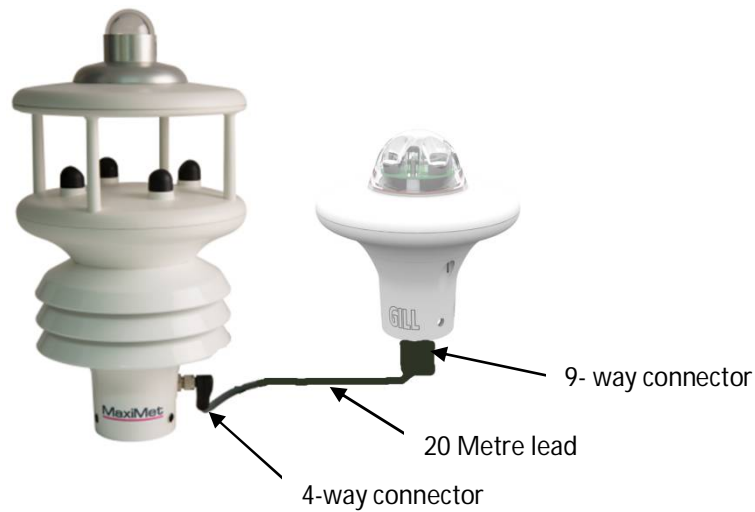


- 1 = Brown
- 2 = White
- 4 = Black
- 3 = Blue

Note that the connector pin numbering is not in sequence.

A protective cap is supplied on the GMX550/GMX551 4 way outlet socket. This should be fitted at any time that the external rain gauge cable is disconnected from the sensor.

4.11. Using the MaxiMet GMX541 with supplied Gill Solid State Rain Gauge.



Wiring Details

MaxiMet 4-Way Connector		20m cable supplied with GMX541	Solid State Rain Gauge 9 Way Connector	
Signal Names	Pin Nos.		Pin No's	Signal Names
Rain Gauge Contact	3	← Blue	1	Contact
Rain Gauge Contact/Supply 0v	1	← Brown	3	Contact/Supply 0v
V supply + (12V)	4	→ Black	2	+12v
Not Used	2	→ White	None	No Connection

The GMX541 weather station is supplied with an external Solid State Optical Rain Gauge (Gill Part 1957-00-073) together with a 20m cable (fitted with 9 way and 4-way connectors - Gill part 1957-10-064) to connect the devices together.

MaxiMet GMX541 default tip size is set for 0.080mm/tip to match the Solid State Rain Gauge.

A protective cap is supplied on the GMX541 4 way outlet socket. This should be fitted at any time that the external rain gauge cable is disconnected from the sensor.

External Solid State Rain Gauge Electrical Specification

Power requirement	12V ±1V DC
Current	19mA at 12V DC 55mA peak when raining

The GMX541 Solid State Rain Gauge input has reverse voltage protection.

The GMX541 sensor has a +12v dc output present on the 4 way connector and care should be taken not to short out connector pins.

4.12. Set-Up Requirements

4.12.1 Host System

Note: The default delivery output communication setting of MaxiMet output is RS232 with the COMMS interface setting set for RS232.

Use an RS232 to USB converter e.g. Gill Part No. 1957-10-065, 1.8m configuration cable fitted with 9-way MaxiMet connector and with integral 5V USB connector power for MaxiMet (see para 4.1.2).

If an install driver is required for this cable it can be obtained from the supplied CD or downloaded from:

<http://www.ftdichip.com/FTDrivers.htm>

Alternatively, use:

- An RS232 to USB adaptor or equivalent, for example EasySynch part ES-U-1001-A (if not using Gill part 1957-10-065), or connect directly to an RS232 COM port
- A PC running Windows software up to and including Windows 10 and with an internal or external interface compatible with the output from the MaxiMet
- A power supply, 5V to 30V DC at 200mA, if not using the Gill Instruments Configuration cable
- A 3 pair cable e.g. Belden 9503 (if not using Gill part 1723-10-051), length as required, if not using the Gill Instruments Configuration cable.

4.12.2 Software

Gill MetSet Software used as a configuration tool (supplied on MaxiMet CD), will run on PCs with up to and including Windows 10 and can be downloaded free from:

<http://www.gillinstruments.com/main/software.html>

4.12.3 Bench System Test

The CD supplied in the MaxiMet box contains a copy of the manual and relevant software to check and set up the MaxiMet unit.

Prior to physically mounting the MaxiMet in its final location, we strongly recommend that a bench system test be carried out to confirm the system is configured correctly, is fully functional and electrically compatible with the selected host system and cabling (preferably utilising the final cable length). The required data format, units, output rate, and other options should also all be configured at this stage.

Connect the MaxiMet to a PC wired as per RS232 connections in para 4.6.

Alternatively use a Gill Configuration cable, Gill Part No. 1957-10-065, with a 9-way connector fitted on one end and USB converter at the other end if required to simplify set up between MaxiMet and a PC.

Open the Gill MetSet software provided to read, check or change settings as per para 6.2.

Use MetSet to view the data string and confirm that the Status field reads 0000.

4.13. Packaging

Whilst the MaxiMet is being moved to its installation site, the unit should be kept in its packaging. Retain the packaging for test bench testing or if the unit has to be moved or returned to Gill Instruments.

5. INSTALLATION

5.1. General Installation Guidelines

5.1.1 Interference

As with any sophisticated electronics, good engineering practice should be followed to ensure correct operation.

Always check the installation to ensure the MaxiMet is not affected by other equipment operating locally, which may not conform to current standards, e.g. radio/radar transmitters, boat engines, generators etc.

Do NOT mount the MaxiMet in close proximity of high-powered radar or radio transmitters. A site survey may be required if there is any doubt about the strength of external electrical noise.

Guidelines

- Avoid mounting in the plane of any radar scanner – a vertical separation of at least 2m should be achieved.
- For radio transmitting antennas, the following minimum separations (all round) are suggested:
 - VHF IMM – 1m.
 - MF/HF – 5m.
 - Satcom – 5m (avoid likely lines of sight).
- Ensure the product is correctly earthed in accordance with this manual.
- Use cables recommended by Gill, keeping the length below the maximum allowed. Where the cables are cut and re-connected (junction boxes, plugs and sockets) the cable screen integrity must be maintained, to prevent the EMC performance being compromised.
If a screened cable is not available between MaxiMet and a rain gauge connection and there are local high RF field strengths then it is advised to route cabling through a grounded metal conduit.
- Earth loops should not be created – earth the system in accordance with wiring diagrams.
- Ensure the power supply operates to the MaxiMet specification at all times.

5.1.2 Wind

Avoid turbulence caused by surrounding structures that will affect the accuracy of the MaxiMet such as trees, masts and buildings.

The World Meteorological Organisation makes the following recommendations:

- The standard exposure of wind instruments over level open terrain is 10m above the ground. Open terrain is defined as an area where the distance between the sensor and any obstruction is at least 10 times the height of the obstruction.
- If mounting on a building then theoretically the sensor should be mounted at a height of 1.5 times the height of the building.

If the sensor is to be mounted on a mast boom, part-way up a tower or mast, then the boom should be at least twice as long as the minimum diameter or diagonal of the tower. The boom should be positioned on the prevailing wind side of the tower.

It is important to ensure that the MaxiMet is mounted in a position clear of any structure which may obstruct the airflow or induce turbulence.

Mount MaxiMet so as to have a clear view of prevailing winds.

5.1.3 Compass

MaxiMet should be mounted horizontally and vertically as level as possible.

It is not possible to calibrate for changing magnetic anomalies. Thus, for greatest accuracy, keep the MaxiMet away from sources of local magnetic distortion that will change with time; such as electrical equipment that will be turned on and off, or ferrous bodies that will move. Make sure that MaxiMet is not mounted close to areas that may be see large sources of local magnetic fields.

Electric motors usually generate magnetic fields that are much stronger than the earth's field. It is recommended that MaxiMet be moved as far away from the motors as possible.

As a guide ensure that MaxiMet is mounted at least 1 metre away from ferrous objects to prevent them influencing the compass reading.

A declination correction factor can be added to the Magnetic North heading from the compass.

Map and declination figures in decimal figures can be obtained from:

<http://www.geosats.com/magdecli.html>

<http://www.ngdc.noaa.gov/geomag/declination.shtml>

5.1.4 GPS

MaxiMet should be mounted horizontally and vertically as level as possible. MaxiMet has a tilt sensor output that can assist with this.

A clear view of the sky is best for an optimal satellite lock. Tree canopy, surrounding hills/mountains, tall buildings and any mounting structure/mast that obscures the view either overhead or of the horizon can impede reception.

Signal multipath errors can occur if the GPS signal is reflected off objects such as tall buildings or large rock surfaces before it reaches the receiver. This increases the travel time of the signal, thereby causing errors.

Number of satellites visible - the more satellites a GPS receiver can see, the better the accuracy. Buildings, terrain, electronic interference or sometimes even dense foliage can block signal reception, causing position errors or possibly no position reading at all. GPS units typically will not work indoors or underground.

5.1.5 Solar

MaxiMet should be mounted horizontally and vertically as level as possible during installation for optimal readings. MaxiMet has a tilt sensor output that can assist with this.

A clear view of the sky is best for an optimal solar measurement. Mounting obstructions, tree canopy, hills, mountains and tall buildings that obscure the view either overhead or of the horizon can impede solar readings.

5.1.6 Tilt

Inclinometer Tilt Angle (X and Y planes, 00-89 degrees) and Orientation (Z plane, upright/inverted) can be enabled using MetSet to be output continuously at 1Hz in the data string to level the sensor horizontally.

See also page 9 Inclinometer and Tilt information.

There is also a Check Tilt function that may be enabled using a terminal program that solely outputs Tilt Angle (X and Y planes, 0-89.9 degrees) and Z information (plus a compass heading on Wind Models) at 4Hz if this level of accuracy is required. See para 6.8 for set up details.

If it is required to mount the unit at an angle e.g. 30 degrees then rotate the unit so that the unit north marker points north and the X reading is +00 or -00 degrees. Whilst maintaining the X reading at 00 degrees, angle the unit so that the Y reading is +30 degrees for Northern Hemisphere Locations or -30 degrees for Southern Hemisphere Locations.

5.1.7 Rain

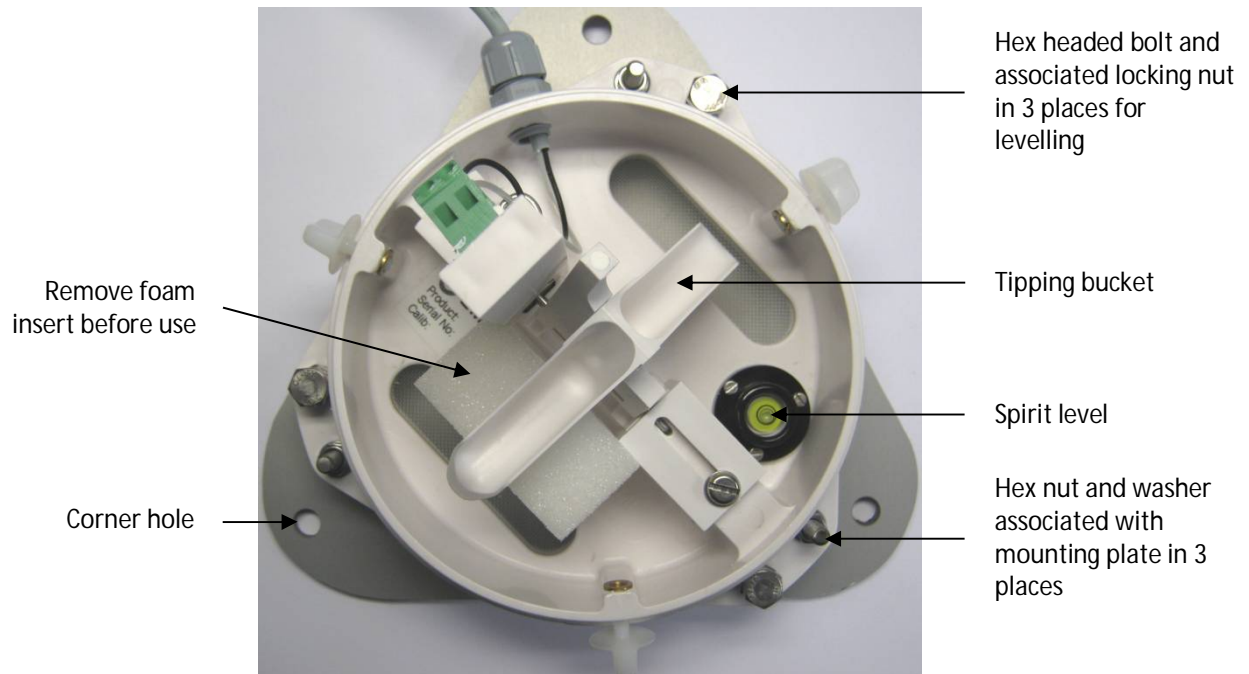
Tipping Bucket Rain Gauge (Kalyx supplied with GMX531 and can be used with GMX550 and GMX551)

The Kalyx rain gauge tipping bucket mechanism is immobilised before shipping to prevent damage in transit. To release the mechanism, remove the funnel from its base by unscrewing the three nylon thumbscrews. Remove the piece of foam from under the bucket mechanism. This foam may be saved and used whenever the rain gauge is moved.

The Kalyx mounting arrangement options are:

- **Baseplate Mounting**

Due to the low weight of the rain gauge (1kg approximately) it must be mounted securely, the use of the baseplate is recommended for this. However the gauge may be mounted via the three holes in the base to a paving slab for example. It is suggested that rawlbolts are used for this purpose as they provide a means of levelling the rain gauge.



1. Unscrew and remove the 3 hex nuts and washers associated with the mounting plate.
2. Lift off the tipping bucket base assembly to leave the metal baseplate and studs.
3. Fix the baseplate to level ground using the 3 pegs provided through the 3 corner holes. The baseplate may be mounted to hard surfaces like concrete by replacing the 3 supplied pegs with screws and rawlplugs.

4. For temporary mounting on hard surfaces use some bricks or heavy weights on the corners of the baseplate (the height of the weights should be kept as low as possible to cause the minimum interference with the aerodynamics of the rain gauge).
5. Refit the tipping bucket base assembly using the 3 hex nuts and washers.

Leveling the Base Assembly

Upon completion of the above loosen the 3 leveling hex bolt nuts and adjust the hex bolts align the spirit level bubble to within the centre circle.

Now tighten the hex bolt nuts to lock the hex bolts in position and ensuring that the spirit level bubble remains within the centre circle.

Notes: Ensure that the foam insert under the tipping bucket is removed before re-fitting the funnel.

No two rain gauge designs are ever likely to produce identical results, and identical rain gauges can give slightly different catches, even when sited close to each other.

On GMX531 (or GMX550/551) units plug the 20m, 4-way connector cable into the MaxiMet socket.

Internal Integrated Solid State Rain Sensor (GMX100, GMX240, GMX400, and GMX600)

The solid state rain sensor should ideally be mounted horizontally and vertically as level as possible for optimal readings. MaxiMet has a tilt sensor output that can assist with this.

A clear view of the sky is best for optimal rain measurements. Adjacent mounting obstructions or tall landscape features could impede rain readings.

NOTE: The Optical Sensor provides a General Indication only of rainfall levels for use in situations where low maintenance is required. Use a tipping bucket or equivalent with a MaxiMet (e.g. GMX531, GMX550- and GMX551) where reference quality precipitation measurements are required.

External Solid State Rain Sensor (GMX541)

The external solid state rain sensor should ideally be mounted horizontally and vertically as level as possible for optimal readings. MaxiMet has a tilt sensor output that can assist with this.

A clear view of the sky is best for optimal rain measurements. Adjacent mounting obstructions or tall landscape features could impede rain readings.

Three M5 x 10mm button head screws and three M6 crinkle washers are supplied with the GMX541 system for mounting the Rain sensor to suitable tapped support pole, e.g. see Para 4.1.2 part 1405-30-056.

A protective cap is supplied on the GMX541 4 way outlet socket. This should be fitted at any time that the external rain gauge cable is disconnected from the sensor.

The GMX541 sensor has a +12v dc output present on the 4 way connector to supply power to the external Rain gauge and care should be taken not to short out connector pins.

NOTE: The Optical Sensor provides a General Indication only of rainfall levels for use in situations where low maintenance is required. Use a tipping bucket or equivalent with a MaxiMet (e.g. GMX531, GMX550- and GMX551) where reference quality precipitation measurements are required.

5.1.8 General Alignment

The MaxiMet anemometer should be set to point north (or to another known reference direction), using the north pointers, which are identified on the instrument figure on page 8.

If the MaxiMet Compass output is enabled by using MetSet (Report page, COMPASSH setting) then a direct Magnetic North compass reading can be used to set MaxiMet north markers to north.

Otherwise MaxiMet need not be aligned precisely if the Compass Corrected Direction (CDIR) readings are to be used.

MaxiMet has a tilt sensor output that can assist with levelling the unit.

5.1.9 Mounting Tube e.g. Gill Part 1405-30-056.

A tube 1.75 inches (44.45mm) outside diameter x 3mm wall thickness is recommended (see figures in para 5.1.11).

Note: It is important that the correct diameter tube is used to prevent damage to the MaxiMet lower moulding when tightening the screws.

The support tube requires three 3 equally spaced holes, tapped M5, 7.5mm from the top of the tube. Pass the cable (fitted with the 9-way Clipper plug) through the tube.

An optional 500mm long x 44.45 mm outer diameter x 3mm thick aluminium mounting tube pre-drilled with equally spaced tapped holes is available from Gill Instruments (Part No. 1405-30-056).

Note: The customer must fit appropriate strain relief to the cable.

Connect the plug by twisting it whilst pushing it gently into the socket on the MaxiMet. When it locates, twist the outer sleeve clockwise to connect and lock the plug.

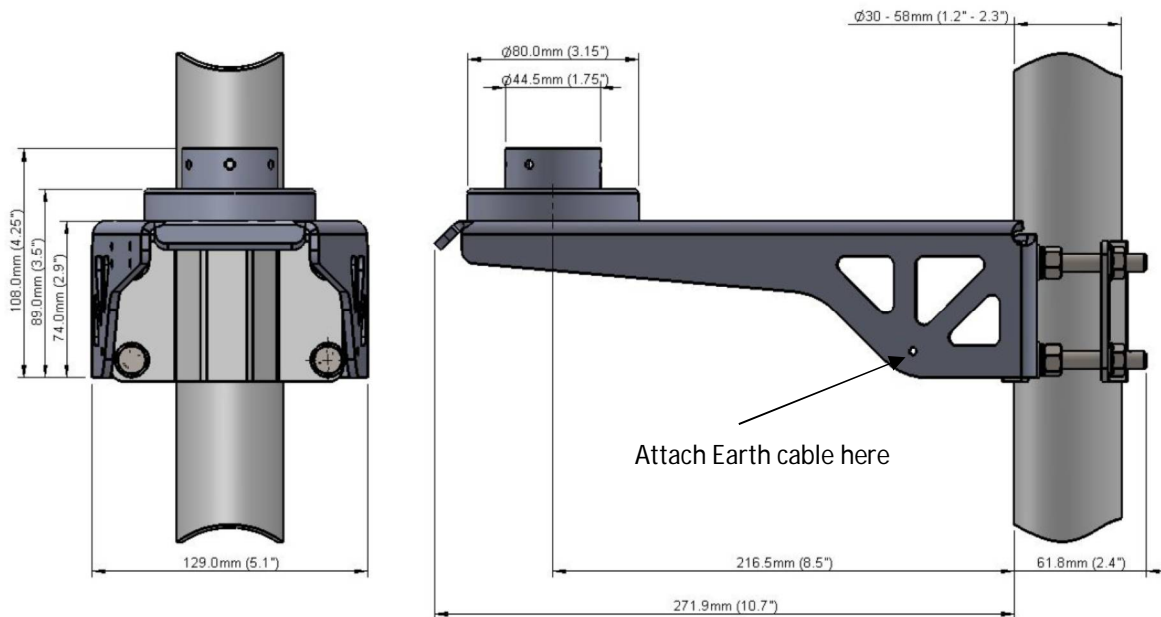
Fix the MaxiMet to the tube using the 3 stainless steel screws provided. (Maximum mounting screw torque 1.5Nm for Aluminium tubes and 3Nm for Stainless Steel tubes).

For hostile environments, you should select a material suitable for the intended environment – for example, stainless steel 316 for marine use.

For non-hostile environments an aluminium tube can be used.

5.1.10 Mounting Bracket e.g. Gill Part 1771-PK-115

An optional mounting bracket is available from Gill Instruments Part 1771-PK-115 as per the illustration.



1. Mount the sensor on to the bracket mount and if using a MaxiMet Wind Sensor, align so that the sensor north marker points to the bracket pole.
2. Secure the sensor to its mount using screws and washers supplied in the MaxiMet box.
3. Torque screws to a maximum of 1.5Nm.

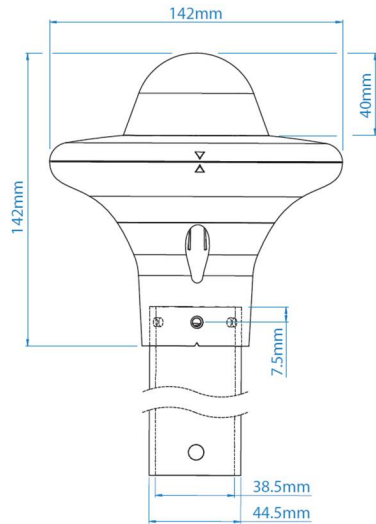
The bracket uses a mounting clamp suitable for attaching to a vertical pipe with a diameter of 30-58mm. When mounting the MaxiMet, consider the position, orientation and alignment of the unit. Mount at the top of a pipe to ensure a clear unobstructed measurement view.

Note: The mounting pipe should first be degreased and when assembling the bracket clamp assembly the outer clamp nuts need to be tightened evenly to a torque figure of 3 Nm.

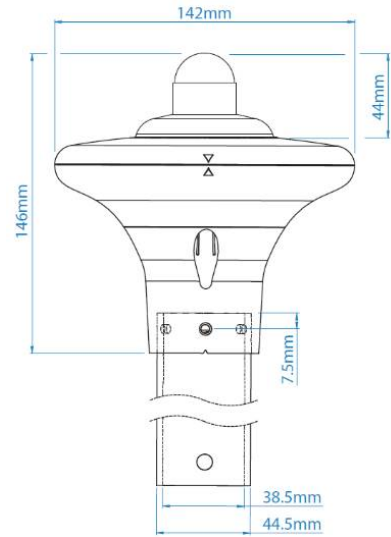
The moving plate part of the clamp needs to be reversed for poles below 38 mm diameter.

Screw an Earth cable minimum of 6mm² to the bracket chassis using screw and terminal tag fixings supplied (see diagram above).

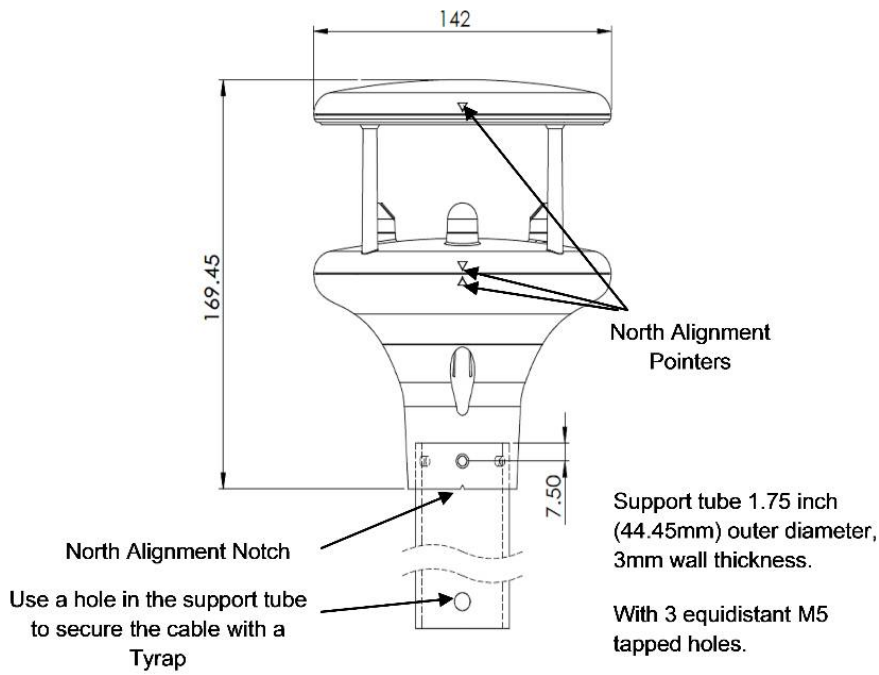
5.1.11 Dimensions (in mm)



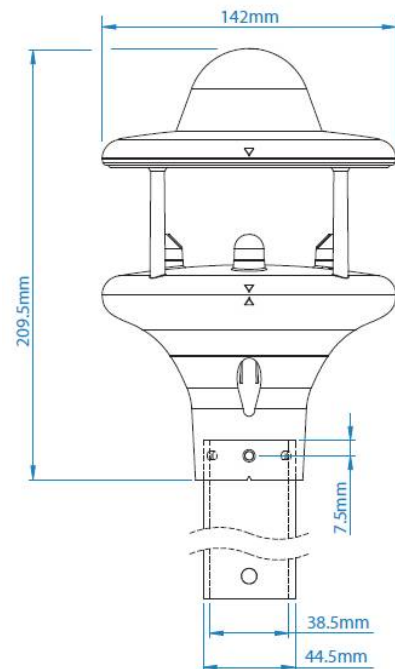
GMX100



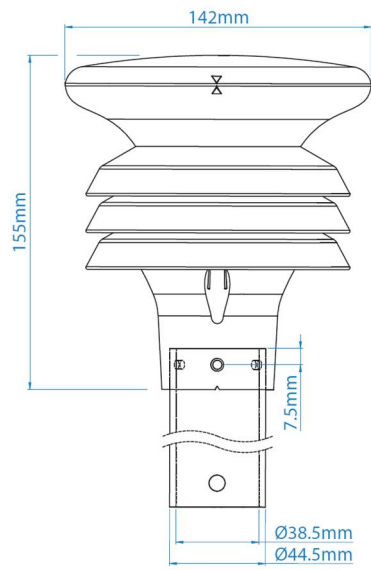
GMX101



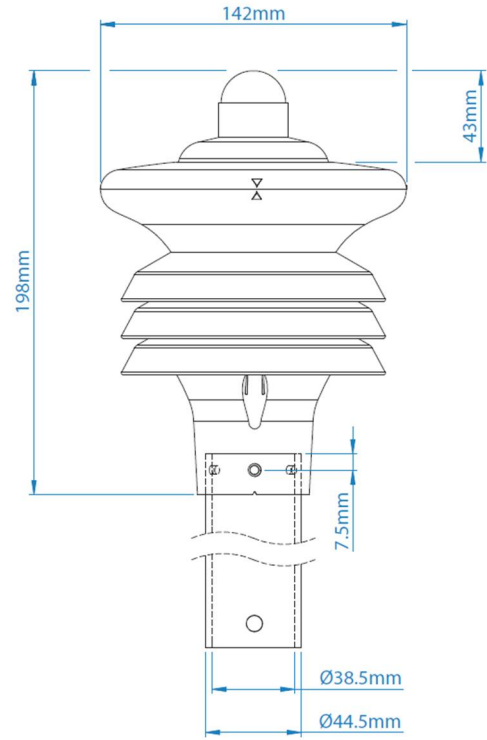
GMX200



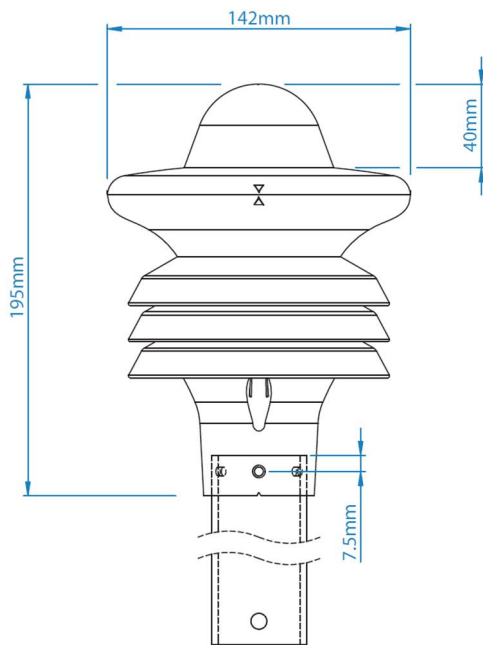
GMX240



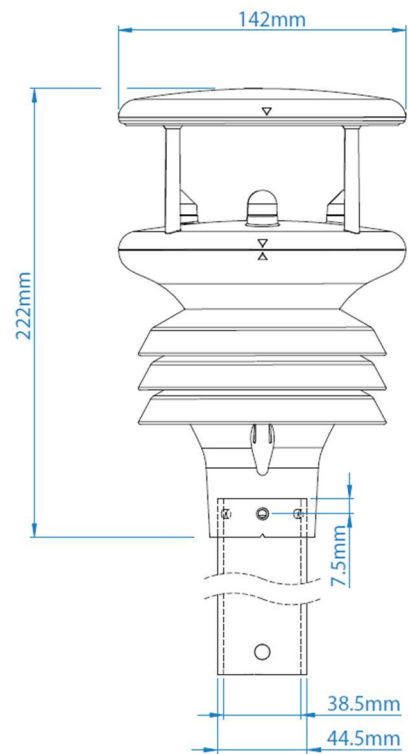
GMX300



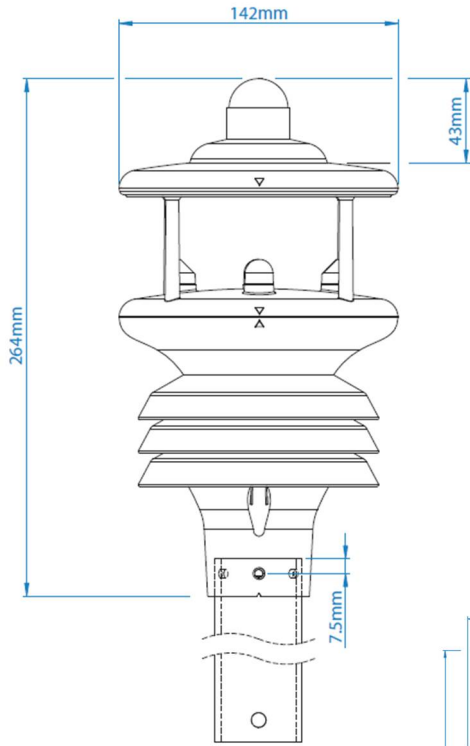
GMX301



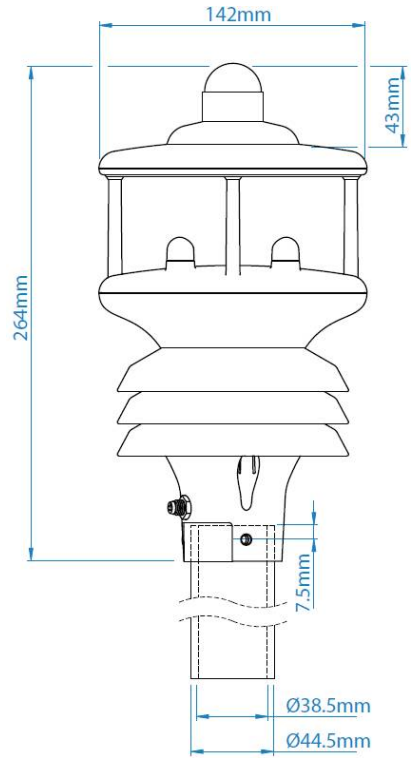
GMX400



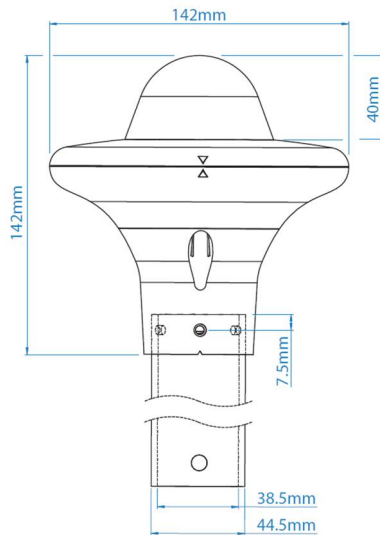
GMX500



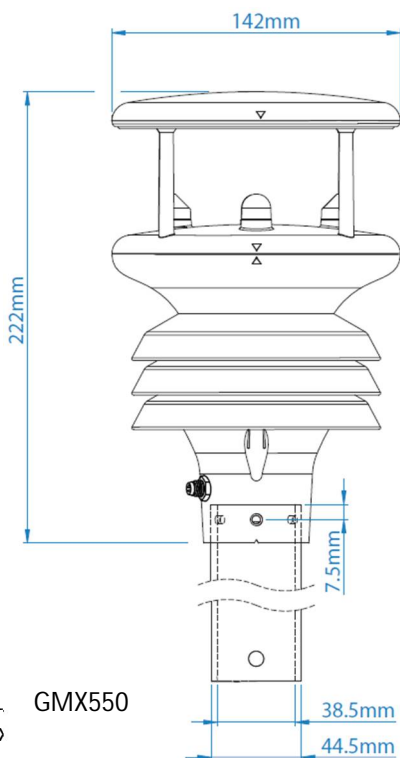
GMX501



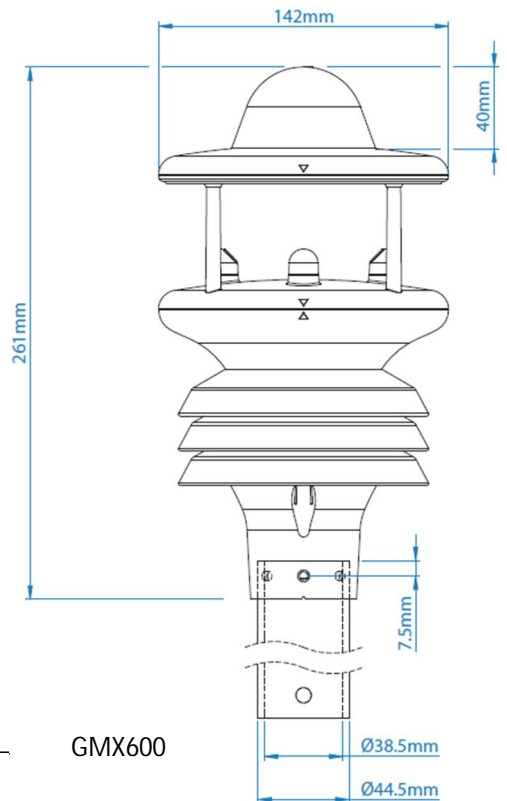
GMX531/
GMX541/GMX551



GMX 541 External
Solid State Rain
Gauge

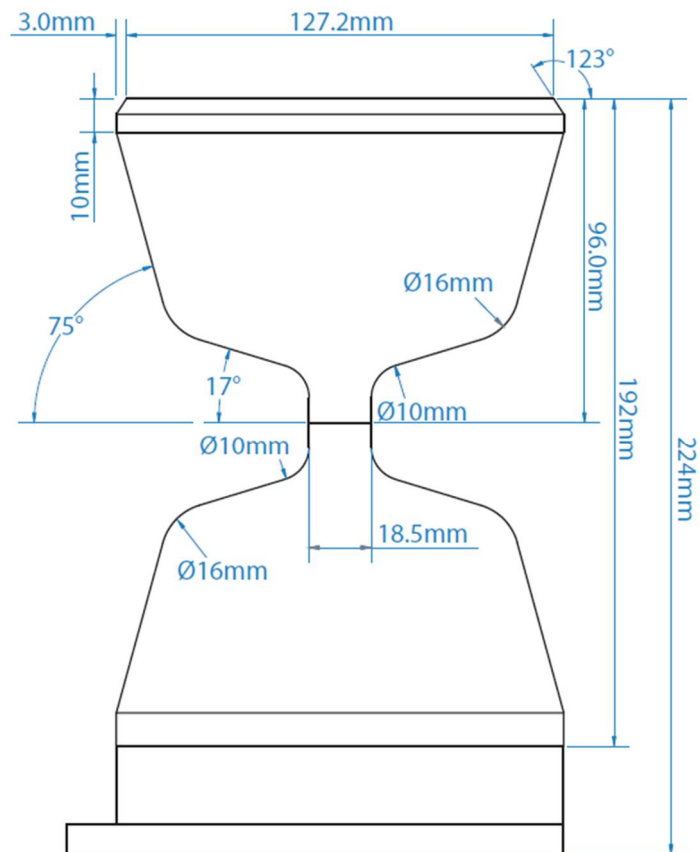


GMX550



GMX600

Kalyx Rain Gauge, associated with GMX 531 (and optional for a GMX550 or GMX551).



6. CONFIGURING WITH METSET

MaxiMet can be configured using Gill Instruments MetSet Software which is loaded on the CD supplied with MaxiMet.

MetSet software can run on PCs running up to and including Windows 10 and can also be downloaded from the Gill Website:

<http://www.gillinstruments.com/main/software.html>

For more details on all MaxiMet Parameters and their meaning refer to Appendices, Para 9.1.

6.1. MaxiMet Default Configurations

GMX100 Factory Default Data String

NODE, TOTAL, PRECIPT, PRECIPI, TIME, VOLT, STATUS, CHECK.
 7Q, 00000.200,000.200,2015-06-05T10:19:30.8,+05.1,0000, L 36

Where

7	STX
Q	Node Letter
00000.200	Precipitation Total
000.200	Precipitation Intensity
2015-06-05	Date
T10:19:30.8	Time
+05.1	Supply Voltage
0000	Status
L	ETX
36	Checksum

NOTES:

<STX> is the Start of String character (ASCII value 2).

<ETX> is the End of String character (ASCII value 3).

Checksum, the 2 digit Hex Checksum sum figure is calculated from the Exclusive OR of the bytes between (and not including) the STX and ETX characters

The Status code will always read 0000 and has no functionality within a MaxiMet GMX100.

MetSet Default Settings

REPORT : NODE TOTAL PRECIPT PRECIPI TIME VOLT STATUS CHECK		
PROTOCOL : GILL	PRECIPITATION SENSOR : ON	POWER : 0
COMMS : RS232	PRECIPITATION UNITS : MM	TIME : 2015-06-05T11:04:54
BAUD : 19200		
NODE : Q		
OUTFREQ : 1HZ		PUPMSG STATUS : ON
MSGMODE : CONT		PUPMSG REPORT : ON
ASCTERM : CRLF		PUPMSG UNITS : ON
ECHO : ON		MODBUS : RTU
		MODADDR : 1
		DATABITS : 8
		STOPBITS : 1
		PARITY : NONE
		MODTERM : 10
		MODICT : 1000

GMX100 Full Data String

Node, Precipitation Total, Precipitation Intensity, Precipitation Status, Sunrise Time, Solar Noon Time, Sunset Time, Position of the Sun, Twilight (Civil), Twilight (Nautical), Twilight (Astronomical), X-Tilt, Y-Tilt, Z-Orientation, User Information Field, System Date and Time, Supply Voltage, Status, Checksum

␣Q,00000.000,000.000,N,07:59,12:08,16:18,216:+09,16:56,17:38,18:18,+00,+01,+1,,2018-01-15T14:43:03.2,+05.1,0000,L58

GMX101 Factory Default Data String

NODE, SOLARRAD, SOLARHOURS, TIME, VOLT, STATUS, CHECK

␣Q,0000,00:00,2015-06-05T10:19:30.8,+05.1,0000,L 36

Where: ␣ STX
 Q Node Letter
 0000 Solar Radiation
 00:00 Solar Hours (Hours and Minutes)
 2015-06-05 Date
 T10:19:30.8 Time
 +05.1 Supply Voltage
 0000 Status (Not Applicable)
 L ETX
 36 Checksum

Notes: <STX> is the Start of String character (ASCII value 2)
 <ETX> is the End of String character (ASCII value 3)
 Checksum, the 2 digit Hex Checksum sum figure is calculated from the Exclusive OR of the bytes between (and not including) the STX and ETX characters

MetSet Default Settings

REPORT: NODE SOLARRAD SOLARHOURS TIME VOLT STATUS		
PROTOCOL : GILL	SENSOR SOLAR : ON	POWER : 0
COMMS : RS232	LAT :+00.000000	TIME : 2015-06-05T11:04:54
BAUD : 19200	LONG: -000.000000	
NODE : Q	USERINF :	TZOFFSET : +00.00
OUTFREQ : 1HZ		PUPMSG STATUS : ON
MSGMODE : CONT		PUPMSG REPORT : ON
ASCTERM : CRLF		PUPMSG UNITS : ON
ECHO : ON		MODBUS : RTU
		MODADDR : 1
		DATABITS : 8
		STOPBITS : 1
		PARITY : NONE
		MODTERM : 10
		MODICT : 1000

GMX101 Full Data String

Node, Solar Radiation, Sunshine Hours, Sunrise Time, Solar Noon Time, Sunset Time, Position of the Sun, Twilight (Civil), Twilight (Nautical), Twilight (Astronomical), X-Tilt, Y-Tilt, Z-Orientation, User Information Field, System Date and Time, Supply Voltage, Status, Checksum

␣Q,0001,01.20,07:54,12:10,16:25,174:+18,17:03,17:45,18:24,+32,-17,+1,2017-01-20T11:46:01.3,+05.0,0000,L 51

GMX200 Factory Default Data String

Items in red relate to the GPS option unit.

NODE, DIR, SPEED, CDIR, **CSPEED, GPSLOCATION**, TIME, VOLT, STATUS, CHECK

␣Q,021,000.01,090,**000.01,+50.763004:-001.539898:+3.10**,2015-06-05T10:19:30.8, +05.1,0000,L 36

Where:-

␣	STX
Q	Node Letter
021	Wind Direction
000.01	Wind Speed
090	Corrected Direction
000.01	GPS Corrected Speed
+50.763004	GPS Latitude
-001.539898	GPS Longitude
+3.10	GPS Height location
2015-06-05	Date
T10:19:30.8	Time
+05.1	Supply Voltage
0000	Status
L	ETX
36	Checksum

NOTES: <STX> is the Start of String character (ASCII value 2).
 <ETX> is the End of String character (ASCII value 3).
 Checksum, the 2 digit Hex Checksum sum figure is calculated from the Exclusive OR of the bytes between (and not including) the STX and ETX characters.

MetSet Settings Summary

REPORT : NODE DIR SPEED CDIR CSPEED GPSLOCATION TIME VOLT STATUS CHECK		
PROTOCOL : GILL	SENSOR COMPASS : ON	POWER : 0
COMMS : RS232	COMPASSDECL : +000.0	TIME : 2015-06-05T11:04:54
BAUD : 19200	SENSOR GPS : ON	AUTOTIME : ON
NODE : Q	UNITS GPS : MS	TZOFFSET : +00.00
OUTFREQ : 1HZ		PUPMSG STATUS : ON
MSGMODE : CONT		PUPMSG REPORT : ON
ASCTERM : CRLF		PUPMSG UNITS : ON

ECHO : ON		MODBUS : RTU
ALIGN : 0		MODADDR : 1
SENSOR WIND : ON		DATABITS : 8
UNITS WIND : MS		STOPBITS : 1
NODIR : 0.00		PARITY : NONE
AVGSHORT : 60		MODTERM : 10
AVGLONG : 10		MODICT : 1000

GMX200 Full Data String

Non-GPS

Node, Relative Wind Direction, Relative Wind Speed, Corrected Wind Direction, Average Relative Wind Direction (WMO), Average Relative Wind Speed (WMO), Relative Gust Direction (WMO), Relative Gust Speed (WMO), Average Corrected Wind Direction (WMO), Wind Sensor Status, Compass Heading, , Sunrise Time, Solar Noon Time, Sunset Time, Position of the Sun, Twilight (Civil), Twilight (Nautical), Twilight (Astronomical), X-Tilt, Y-Tilt, Z-Orientation, User Information Field, System Date and Time, Supply Voltage, Status, Checksum

```
γQ,048,000.02,106,000,000.00,000,000.00,000,0100,058,07:58,12:08,16:19,143:+09,16:57,17:39,18:19,00,+00,+1,,2018-01-16T09:29:31.1,+05.0,0000, L.22
```

GPS

Node, Relative Wind Direction, Relative Wind Speed, Corrected Wind Direction, Corrected Wind Speed, Average Relative Wind Direction (WMO), Average Relative Wind Speed (WMO), Relative Gust Direction (WMO), Relative Gust Speed (WMO), Average Corrected Wind Direction (WMO), Average Corrected Wind Speed (WMO), Corrected Gust Direction (WMO), Corrected Gust Speed (WMO), Wind Sensor Status, Compass Heading, GPS Location, GPS Heading, GPS Speed Over Ground, GPS Sensor Status, Sunrise Time, Solar Noon Time, Sunset Time, Position of the Sun, Twilight (Civil), Twilight (Nautical), Twilight (Astronomical), X-Tilt, Y-Tilt, Z-Orientation, User Information Field, System Date and Time, Supply Voltage, Status, Checksum

```
γQ,222,000.00,061,000.56,000,000.00,000,000.00,000,000.00,000,000.00,0100,055,+50.763328:-001.540155:-0002.70,242,000.58,010C,08:01,12:15,16:28,146:+11,17:06,17:47,18:26,+00,+01,+1,,2018-01-16T09:50:49.8,+05.0,0004, L.68
```

GMX240 Factory Default Data String

Items in red relate to the GPS Option Unit.

NODE, DIR, SPEED, CDIR, **CSPEED**, TOTAL PRECIP, PRECIP INTENSITY, **GPSLOCATION**, TIME, VOLT, STATUS, CHECK

␣Q,180,000.06,133,000.21,00000.000,000.000,+50.763060:-001.540268:+0001.60,2017-

11-02T15:07:27.6,+05.0,0004,␣ 31

Where: ␣	STX	-001.540268	GPS Longitude
Q	Node Letter	+0001.60	GPS Height location
180	Wind Direction	2017-11-02	Date
000.06	Wind Speed	T15:07:27.6	Time
133	Corrected Direction	+05.0	Supply Voltage
000.21	GPS Corrected Speed	0004	Status
0000.000	Precipitation Total	␣	ETX
000.000	Precipitation Intensity	31	Checksum
+50.763060	GPS Latitude		

Notes: <STX> is the Start of String character (ASCII value 2)
 <ETX> is the End of String character (ASCII value 3)
 Checksum, the 2 digit Hex Checksum sum figure is calculated from the Exclusive OR of the bytes between (and not including) the STX and ETX characters

MetSet Default Settings

REPORT : NODE DIR SPEED CDIR CSPEED PRECIPT PRECIPI GPSLOCATION TIME VOLT STATUS CHECK	
PROTOCOL : GILL	POWER : 0
COMMS : RS232	TIME : 2017-11-02T15:07:27
BAUD : 19200	AUTOTIME : ON
NODE : Q	SENSOR COMPASS : ON
OUTFREQ : 1HZ	COMPASSDECL : +000.0
MSGMODE : CONT	SENSOR GPS : ON
ASCTERM : CRLF	UNITS GPS : MS
ECHO : ON	SENSOR TEMP : ON
ALIGN : 0	UNITS TEMP : C
SENSOR WIND : ON	SENSOR PRECIP : ON
UNITS WIND : MS	UNITS PRECIP : MM
NODIR : 0.00	MODBUS : RTU
AVGSHORT : 60	MODADDR : 1
AVGLONG : 10	DATABITS : 8
	STOPBITS : 1
	PARITY : NONE
	MODTERM : 10
	MODICT : 1000

GMX240 Full Data String

Non-GPS

Node, Relative Wind Direction, Relative Wind Speed, Corrected Wind Direction, Average Relative Wind Direction (WMO), Average Relative Wind Speed (WMO), Relative Gust Direction (WMO), Relative Gust Speed (WMO), Average Corrected Wind Direction (WMO), Wind Sensor Status, Total Precipitation, Precipitation Intensity, Precipitation Status, Compass Heading, , Sunrise Time, Solar Noon Time, Sunset Time, Position of the Sun, Twilight (Civil), Twilight (Nautical), Twilight (Astronomical), X-Tilt, Y-Tilt, Z-Orientation, User Information Field, System Date and Time, Supply Voltage, Status, Checksum

⌋Q,269,000.03,311,000,000.00,000,000.00,000,0100,00000.200,000.200,N,042,+028,+028,1.2,+012.8,07:54,12:10,16:25,174:+18,17:03,17:45,18:24,+12,-14, +1,2017-01-20T11:46:01.3,+05.0,0000,⌋ 51 CHECK

GPS

Node, Relative Wind Direction, Relative Wind Speed, Corrected Wind Direction, Corrected Wind Speed, Average Relative Wind Direction (WMO), Average Relative Wind Speed (WMO), Relative Gust Direction (WMO), Relative Gust Speed (WMO), Average Corrected Wind Direction (WMO), Average Corrected Wind Speed (WMO), Corrected Gust Direction (WMO), Corrected Gust Speed (WMO), Wind Sensor Status, Total Precipitation, Precipitation Intensity, Precipitation Status, Compass Heading, GPS Location, GPS Heading, GPS Speed Over Ground, GPS Sensor Status, Sunrise Time, Solar Noon Time, Sunset Time, Position of the Sun, Twilight (Civil), Twilight (Nautical), Twilight (Astronomical), X-Tilt, Y-Tilt, Z-Orientation, User Information Field, System Date and Time, Supply Voltage, Status, Checksum

⌋Q,269,000.03,311,003.17,000,000.00,000,000.00,000,001.45,135,011.05,0100,00000.200,000.200,N,042,+50.762988:-001.539893:-0.80,064,+000.10,010B,+028,+028,1.2,+012.8,07:54,12:10,16:25,174:+18,17:03,17:45,18:24,+09,+03,+1,,2017-01-20T11:46:01.3,+05.0, 0000,⌋ 51 CHECK

GMX300 Factory Default Data String:

NODE, PRESS, RH, TEMP, DEWPOINT, TIME, VOLT, STATUS, CHECK

⌋Q, 1015.3,041,+022.0,+008.5,2015-06-05T10:19:30.8,+05.1,0000,⌋ 36

Where

⌋	STX
Q	Node Letter
1015.3	Pressure
041	Relative Humidity
+022.0	Temperature
+008.5	Dewpoint
2015-06-05	Date
T10:19:30.8	Time
+05.1	Supply Voltage
0000	Status
⌋	ETX
36	Checksum

NOTES:

<STX> is the Start of String character (ASCII value 2).

<ETX> is the End of String character (ASCII value 3).

Checksum, the 2 digit Hex Checksum sum figure is calculated from the Exclusive OR of the bytes between (and not including) the STX and ETX characters.

GMX300 MetSet Default Settings

REPORT : NODE PRESS RH TEMP DEWPOINT TIME VOLT STATUS CHECK		
PROTOCOL : GILL	SENSOR TEMP : ON	POWER : 0
COMMS : RS232	UNITS TEMP : C	TIME : 2015-06-05T11:04:54
BAUD : 19200	SENSOR DEWPOINT : ON	
NODE : Q	UNITS DEWPOINT : C	
OUTFREQ : 1HZ	SENSOR PRESS : ON	PUPMSG STATUS : ON
MSGMODE : CONT	UNITS PRESS : HPA	PUPMSG REPORT : ON
ASCTERM : CRLF	HASL : +00000.00	PUPMSG UNITS : ON
ECHO : ON	HASTN : +00000.00	MODBUS : RTU
DATABITS : 8	SENSOR RH : ON	MODADDR : 1
STOPBITS : 1	UNITS RH : %	MODTERM : 10
PARITY : NONE		MODICT : 1000

GMX300 Full Data String:

Node, Pressure, Pressure at Sea level, Pressure at Station, Relative Humidity, Temperature, Dewpoint, Absolute Humidity, Heat Index, Air Density, Wet Bulb Temperature, Sunrise Time, Solar Noon Time, Sunset Time, Position of the Sun, Twilight (Civil), Twilight (Nautical), Twilight (Astronomical), X-Tilt, Y-Tilt, Z-Orientation, User Information Field, System Date and Time, Supply Voltage, Status, Checksum

```
γQ,0999.5,0999.5,0999.5,040,+023.3,+009.1,08.45,,1.2,+015.1,07:58,12:08,16:19,162:+15,16:57,17:39,18:19,+00,+01,+1,,2018-01-16T10:55:38.5,+05.1,0000,L.1F
```

GMX301 Factory Default Data String:

NODE, PRESS, RH, TEMP, DEWPOINT, SOLARRAD, TIME, VOLT, STATUS, CHECK

```
γQ,1015.3,041,+022.0,+008.5,0000,2015-06-05T10:19:30.8,+05.1,0004,L.36
```

Where

γ	STX
Q	Node Letter
1015.3	Pressure
041	Relative Humidity
+022.0	Temperature
+008.5	Dewpoint
0000	Solar Radiation
2015-06-05	Date
T10:19:30.8	Time
+05.1	Supply Voltage
0004	Status
L	ETX
36	Checksum

NOTES:

<STX> is the Start of String character (ASCII value 2).

<ETX> is the End of String character (ASCII value 3).

Checksum, the 2 digit Hex Checksum sum figure is calculated from the Exclusive OR of the bytes between (and not including) the STX and ETX characters.

GMX301 MetSet Settings Summary

REPORT : NODE PRESS RH TEMP DEWPOINT SOLARRAD TIME VOLT STATUS CHECK		
PROTOCOL : GILL	SENSOR COMPASS : ON	POWER : 0
COMMS : RS232	COMPASSDECL : +000.0	TIME : 2015-06-05T11:04:54
BAUD : 19200	SENSOR TEMP : ON	
NODE : Q	UNITS TEMP : C	
OUTFREQ : 1HZ	SENSOR DEWPOINT : ON	PUPMSG STATUS : ON
MSGMODE : CONT	UNITS DEWPOINT : C	PUPMSG REPORT : ON
ASCTERM : CRLF	SENSOR PRESS : ON	PUPMSG UNITS : ON
ECHO : ON	UNITS PRESS : HPA	MODBUS : RTU
	HASL : +00000.00	MODADDR : 1
	HASTN : +00000.00	DATABITS : 8
	SENSOR RH : ON	STOPBITS : 1
	UNITS RH : %	PARITY : NONE
	SENSOR SOLAR : ON	MODTERM : 10
		MODICT : 1000

GMX301 Full Data String:

Node, Pressure, Pressure at Sea level, Pressure at Station, Relative Humidity, Temperature, Dewpoint, Absolute Humidity, Solar Radiation, Sunshine Hours, Heat Index, Air Density, Wet Bulb Temperature, Sunrise Time, Solar Noon Time, Sunset Time, Position of the Sun, Twilight (Civil), Twilight (Nautical), Twilight (Astronomical), X-Tilt, Y-Tilt, Z-Orientation, User Information Field, System Date and Time, Supply Voltage, Status, Checksum

⌋Q,0999.4,0999.4,0999.4,040,+023.3,+009.0,08.41,2155.00.00,,1.2,+015.0,07:58,12:08,16:19,163:+15,16:57,17:39,18:19,+00,+00,+1,,2018-01-16T10:58:40.7,+05.1,0000,L,37

GMX400 Factory Default Data String

NODE, PRESS, RH, TEMP, DEWPOINT, TOTAL, PRECIPT, PRECIPI, TIME, VOLT, STATUS,CHECK.

⌋Q,1015.3,041,+022.0,+008.5,00000.200,000.200,2015-06-05T10:19:30.8,+05.1,0000,L,36

Where

⌋	STX
Q	Node Letter
1015.3	Pressure
041	Relative Humidity
+022.0	Temperature
+008.5	Dewpoint
0000.200	Precipitation Total
000.200	Precipitation Intensity
2015-06-05	Date
T10:19:30.8	Time
+05.1	Supply Voltage
0000	Status
L	ETX
36	Checksum

NOTES:

<STX> is the Start of String character (ASCII value 2).

<ETX> is the End of String character (ASCII value 3).

Checksum, the 2 digit Hex Checksum sum figure is calculated from the Exclusive OR of the bytes between (and not including) the STX and ETX characters

GMX400 MetSet Default Settings

REPORT : PRESS RH TEMP DEWPOINT TOTAL PRECIP PRECIP INTENSITY TIME VOLT STATUS CHECK		
PROTOCOL : GILL	SENSOR TEMP : ON	POWER : 0
COMMS : RS232	UNITS TEMP : C	TIME : 2015-06-05T11:04:54
BAUD : 19200	SENSOR DEWPOINT : ON	PUPMSG STATUS : ON
NODE : Q	UNITS DEWPOINT : C	PUPMSG REPORT : ON
OUTFREQ : 1HZ	SENSOR PRESS : ON	PUPMSG UNITS : ON
MSGMODE : CONT	UNITS PRESS : HPA	MODBUS : RTU
ASCTERM : CRLF	HASL : +00000.00	MODADDR : 1
ECHO : ON	HASTN : +00000.00	DATABITS : 8
	SENSOR RH : ON	STOPBITS : 1
	UNITS RH : %	PARITY : NONE
	PRECIPITATION SENSOR : ON	MODTERM : 10
	PRECIPITATION UNITS : MM	MODICT : 1000
	ARPRECIP: ON	PUPMSG STATUS : ON

GMX400 Full Data String

Node, Pressure, Pressure at Sea level, Pressure at Station, Relative Humidity, Temperature, Dewpoint, Absolute Humidity, Precipitation Total, Precipitation Intensity, Precipitation Status, Heat Index, Air Density, Wet Bulb Temperature, Sunrise Time, Solar Noon Time, Sunset Time, Position of the Sun, Twilight (Civil), Twilight (Nautical), Twilight (Astronomical), X-Tilt, Y-Tilt, Z-Orientation, User Information Field, System Date and Time, Supply Voltage, Status, Checksum

γQ,0999.3,0999.3,0999.3,041,+023.2,+009.3,08.61,00000.000,000.000,N,,1.2,+015.1,07:58,12:08,16:19,165:+16,16:57,17:39,18:19,+00,+00,+1,,2018-01-16T11:09:24.0,+05.1,0000,L7A

GMX500 Factory Default Data String:

Items in red relate to the GPS option unit.

NODE, DIR,SPEED, CDIR, **CSPEED**, PRESS, RH, TEMP, DEWPOINT, **GPSLOCATION**, TIME, VOLT, STATUS, CHECK

␣Q,021,000.01,090,**000.01**,1015.3,041,+022.0,+008.5,**+50.763004:-001.539898:+3.10**,2015-06-05T10:19:30.8,+05.1,0004,␣ 36

Where

␣	STX
Q	Node Letter
021	Wind Direction
000.01	Wind Speed
090	Corrected Direction
000.01	GPS Corrected Speed
1015.3	Pressure
041	Relative Humidity
+022.0	Temperature
+008.5	Dewpoint
+50.763004	GPS Latitude
-001.539898	GPS Longitude
+3.10	GPS Height location
2015-06-05	Date
T10:19:30.8	Time
+05.1	Supply Voltage
0004	Status
␣	ETX
36	Checksum

NOTES:

<STX> is the Start of String character (ASCII value 2).

<ETX> is the End of String character (ASCII value 3).

Checksum, the 2 digit Hex Checksum sum figure is calculated from the Exclusive OR of the bytes between (and not including) the STX and ETX characters.

MetSet Default Settings

REPORT : NODE DIR SPEED CDIR CSPEED PRESS RH TEMP DEWPOINT GPSLOCATION TIME VOLT STATUS CHECK		
PROTOCOL : GILL	SENSOR COMPASS : ON	POWER : 0
COMMS : RS232	COMPASSDECL : +000.0	TIME : 2015-06-05T11:04:54
BAUD : 19200	SENSOR GPS : ON	AUTOTIME : ON
NODE : Q	UNITS GPS : MS	TZOFFSET : +00.00

OUTFREQ : 1HZ	SENSOR TEMP : ON	PUPMSG STATUS : ON
MSGMODE : CONT	UNITS TEMP : C	PUPMSG REPORT : ON
ASCTERM : CRLF	SENSOR DEWPOINT : ON	PUPMSG UNITS : ON
ECHO : ON	UNITS DEWPOINT : C	MODBUS : RTU
ALIGN : 0	SENSOR PRESS : ON	MODADDR : 1
SENSOR WIND : ON	UNITS PRESS : HPA	DATABITS : 8
UNITS WIND : MS	HASL : +00000.00	STOPBITS : 1
NODIR : 0.00	HASTN : +00000.00	PARITY : NONE
AVGSHORT : 60	SENSOR RH : ON	MODTERM : 10
AVGLONG : 10	UNITS RH : %	MODICT : 1000

GMX500 Full Data String:

Non GPS

Node, Relative Wind Direction, Relative Wind Speed, Corrected Wind Direction, Average Relative Wind Direction (WMO), Average Relative Wind Speed (WMO), Relative Gust Direction (WMO), Relative Gust Speed (WMO), Average Corrected Wind Direction (WMO), Wind Sensor Status, Pressure, Pressure at Sea level, Pressure at Station, Relative Humidity, Temperature, Dewpoint, Absolute Humidity, Compass Heading, Wind Chill, Heat Index, Air Density, Wet Bulb Temperature, Sunrise Time, Solar Noon Time, Sunset Time, Position of the Sun, Twilight (Civil), Twilight (Nautical), Twilight (Astronomical), X-Tilt, Y-Tilt, Z-Orientation, User Information Field, System Date and Time, Supply Voltage, Status, Checksum

```

γQ,056,000.04,115,000,000.00,000,000.00,000,0100,0999.2,0999.2,0999.2,041,+023.2,+009.2,08.56,059,,,
1.2,+015.1,07:58,12:08,16:19,166:+16,16:57,17:39,18:19,+00,+01,+1,,2018-01-
16T11:13:19.5,+05.0,0000,1.22

```

GPS

Node, Relative Wind Direction, Relative Wind Speed, Corrected Wind Direction, Corrected Wind Speed, Average Relative Wind Direction (WMO), Average Relative Wind Speed (WMO), Relative Gust Direction (WMO), Relative Gust Speed (WMO), Average Corrected Wind Direction (WMO), Average Corrected Wind Speed (WMO), Corrected Gust Direction (WMO), Corrected Gust Speed (WMO), Wind Sensor Status, Pressure, Pressure at Sea level, Pressure at Station, Relative Humidity, Temperature, Dewpoint, Absolute Humidity, Compass Heading, GPS Location, GPS Heading, GPS Speed Over Ground, GPS Sensor Status, Wind Chill, Heat Index, Air Density, Wet Bulb Temperature, Sunrise Time, Solar Noon Time, Sunset Time, Position of the Sun, Twilight (Civil), Twilight (Nautical), Twilight (Astronomical), X-Tilt, Y-Tilt, Z-Orientation, User Information Field, System Date and Time, Supply Voltage, Status, Checksum

```

γQ,301,000.01,180,000.08,000,000.00,000,000.00,000,000.00,0100,0998.9,0998.9,0998.9,
040,+023.1,+009.0,08.43,058,+50.763112:-001.540188:-0011.90,354,000.09,010B,,,1.2,+014.9,
08:01,12:15,16:28,170:+17,17:06,17:47,18:26,+00,+00,+1,,2018-01-16T11:33:05.7,+05.0,0004,1.67

```


GMX501 Factory Default Data String:

Items in red relate to the GPS Option Unit.

NODE, DIR, SPEED, CDIR, **CSPEED**, PRESS, RH, TEMP, DEWPOINT, SOLARRAD, **GPSLOCATION**, TIME, VOLT, STATUS, CHECK

␣Q,021,000.01,090,**000.01**,1015.3,041,+022.0,+008.5,0000,**+50.763004:-001.539898:+3.10**,2015-06-05T10:19:30.8,+05.1,0004,␣ 36

Where

␣	STX
Q	Node Letter
021	Wind Direction
000.01	Wind Speed
090	Corrected Direction
000.01	GPS Corrected Speed
1015.3	Pressure
041	Relative Humidity
+022.0	Temperature
+008.5	Dewpoint
0000	Solar Radiation
+50.763004	GPS Latitude
-001.539898	GPS Longitude
+3.10	GPS Height location
2015-06-05	Date
T10:19:30.8	Time
+05.1	Supply Voltage
0004	Status
␣	ETX
36	Checksum

NOTES:

<STX> is the Start of String character (ASCII value 2).

<ETX> is the End of String character (ASCII value 3).

Checksum, the 2 digit Hex Checksum sum figure is calculated from the Exclusive OR of the bytes between (and not including) the STX and ETX characters.

MetSet Default Settings

REPORT : NODE DIR SPEED CDIR CSPEED PRESS RH TEMP DEWPOINT SOLARRAD GPSLOCATION TIME VOLT STATUS CHECK		
PROTOCOL : GILL	SENSOR COMPASS : ON	POWER : 0
COMMS : RS232	COMPASSDECL : +000.0	TIME : 2015-06-05T11:04:54
BAUD : 19200	SENSOR GPS : ON	AUTOTIME : ON
NODE : Q	UNITS GPS : MS	TZOFFSET : +00.00
OUTFREQ : 1HZ	SENSOR TEMP : ON	PUPMSG STATUS : ON
MSGMODE : CONT	UNITS TEMP : C	PUPMSG REPORT : ON

ASCTERM : CRLF	SENSOR DEWPOINT : ON	PUPMSG UNITS : ON
ECHO : ON	UNITS DEWPOINT : C	MODBUS : RTU
ALIGN : 0	SENSOR PRESS : ON	MODADDR : 1
SENSOR WIND : ON	UNITS PRESS : HPA	DATABITS : 8
UNITS WIND : MS	HASL : +00000.00	STOPBITS : 1
NODIR : 0.00	HASTN : +00000.00	PARITY : NONE
AVGSHORT : 60	SENSOR RH : ON	MODTERM : 10
AVGLONG : 10	UNITS RH : %	MODICT : 1000
	SENSOR SOLAR : ON	

GMX501 Full Data String:

Non-GPS

Node, Relative Wind Direction, Relative Wind Speed, Corrected Wind Direction, Average Relative Wind Direction (WMO), Average Relative Wind Speed (WMO), Relative Gust Direction (WMO), Relative Gust Speed (WMO), Average Corrected Wind Direction (WMO), Wind Sensor Status, Pressure, Pressure at Sea level, Pressure at Station, Relative Humidity, Temperature, Dewpoint, Absolute Humidity, Compass Heading, Solar Radiation, Sunshine Hours, Wind Chill, Heat Index, Air Density, Wet Bulb Temperature, Sunrise Time, Solar Noon Time, Sunset Time, Position of the Sun, Twilight (Civil), Twilight (Nautical), Twilight (Astronomical), X-Tilt, Y-Tilt, Z-Orientation, User Information Field, System Date and Time, Supply Voltage, Status, Checksum

```
γQ,003,000.02,062,000,000.00,000,000.00,000,0100,0999.3,0999.3,0999.3,041,+023.3,+009.3,08.61,059,0
001,00.00,,,1.2,+015.2,07:58,12:08,16:19,161:+15,16:57,17:39,18:19,+00,+00,+1,,2018-01-
16T10:50:19.2,+05.0,0000,L.08
```

GPS

Node, Relative Wind Direction, Relative Wind Speed, Corrected Wind Direction, Corrected Wind Speed, Average Relative Wind Direction (WMO), Average Relative Wind Speed (WMO), Relative Gust Direction (WMO), Relative Gust Speed (WMO), Average Corrected Wind Direction (WMO), Average Corrected Wind Speed (WMO), Corrected Gust Direction (WMO), Corrected Gust Speed (WMO), Wind Sensor Status, Pressure, Pressure at Sea level, Pressure at Station, Relative Humidity, Temperature, Dewpoint, Absolute Humidity, Compass Heading, GPS Location, GPS Heading, GPS Speed Over Ground, GPS Sensor Status, Solar Radiation, Sunshine Hours, Wind Chill, Heat Index, Air Density, Wet Bulb Temperature, Sunrise Time, Solar Noon Time, Sunset Time, Position of the Sun, Twilight (Civil), Twilight (Nautical), Twilight (Astronomical), X-Tilt, Y-Tilt, Z-Orientation, User Information Field, System Date and Time, Supply Voltage, Status, Checksum

```
γQ,153,000.00,260,000.48,000,000.00,000,000.00,000,000.00,000,000.00,0100,0999.3
,0999.3,0999.3,040,+023.3,+009.1,08.50,055,0000,00.00,+50.763012:-001.540143:+00
00.20,079,000.49,010B,,,1.2,+015.1,08:01,12:15,16:28,158:+15,17:06,17:47,18:26,+
00,+01,+1,,2018-01-16T10:42:27.8,+05.0,0004,L.48
```

GMX531/GMX541/GMX551 Factory Default Data String

Items in red relate to the GPS Option Unit.

NODE, DIR, SPEED, CDIR, **CSPEED**, PRESS, RH, TEMP, DEWPOINT, TOTAL PRECIP, PRECIP INTENSITY, SOLARRAD, **GPSLOCATION**, TIME, VOLT, STATUS, CHECK

␣Q,021,000.01,090,**000.01**,1015.3,041,+022.0,+008.5,00000.200,000.200,0000,+**50.763004**:-
001.539898:+**3.10**,2015-06-05T10:19:30.8,+05.1,0004,␣ 36

Where: ␣	STX	000.200	Precipitation Intensity
Q	Node Letter	0000	Solar Radiation
021	Wind Direction	+50.763004	GPS Latitude
000.01	Wind Speed	-001.539898	GPS Longitude
090	Corrected Direction	+3.10	GPS Height location
000.01	GPS Corrected Speed	2015-06-05	Date
1015.3	Pressure	T10:19:30.8	Time
041	Relative Humidity	+05.1	Supply Voltage
+022.0	Temperature	0004	Status
+008.5	Dewpoint	␣	ETX
0000.200	Precipitation Total	36	Checksum

Notes: <STX> is the Start of String character (ASCII value 2)
<ETX> is the End of String character (ASCII value 3)
Checksum, the 2 digit Hex Checksum sum figure is calculated from the Exclusive OR of the bytes between (and not including) the STX and ETX characters

MetSet Default Settings

REPORT : NODE DIR SPEED CDIR CSPEED PRESS RH TEMP DEWPOINT PRECIPT PRECIPI SOLARRAD GPSLOCATION TIME VOLT STATUS CHECK		
PROTOCOL : GILL	SENSOR COMPASS : ON	POWER : 0
COMMS : RS232	COMPASSDECL : +000.0	TIME : 2015-06-05T11:04:54
BAUD : 19200	SENSOR GPS : ON	AUTOTIME : ON
NODE : Q	UNITS GPS : MS	TZOFFSET : +00.00
OUTFREQ : 1HZ	SENSOR TEMP : ON	PUPMSG STATUS : ON
MSGMODE : CONT	UNITS TEMP : C	PUPMSG REPORT : ON
ASCTERM : CRLF	SENSOR DEWPOINT : ON	PUPMSG UNITS : ON
ECHO : ON	UNITS DEWPOINT : C	MODBUS : RTU
ALIGN : 0	SENSOR PRESS : ON	MODADDR : 1
SENSOR WIND : ON	UNITS PRESS : HPA	DATABITS : 8
UNITS WIND : MS	HASL : +00000.00	STOPBITS : 1
NODIR : 0.00	HASTN : +00000.00	PARITY : NONE
AVGSHORT : 60	SENSOR RH : ON	MODTERM : 10
AVGLONG : 10	UNITS RH : %	MODICT : 1000
	SENSOR PRECIP : ON	
	UNITS PRECIP : MM	
	SENSOR SOLAR ON	

GMX531/GMX541/GMX551 Full Data String

Non-GPS

Node, Relative Wind Direction, Relative Wind Speed, Corrected Wind Direction, Average Relative Wind Direction (WMO), Average Relative Wind Speed (WMO), Relative Gust Direction (WMO), Relative Gust Speed (WMO), Average Corrected Wind Direction (WMO), Wind Sensor Status, Pressure, Pressure at Sea level, Pressure at Station, Relative Humidity, Temperature, Dewpoint, Absolute Humidity, Total Precipitation, Precipitation Intensity, Precipitation Status, Compass Heading, Solar Radiation, Sunshine Hours, Wind Chill, Heat Index, Air Density, Wet Bulb Temperature, Sunrise Time, Solar Noon Time, Sunset Time, Position of the Sun, Twilight (Civil), Twilight (Nautical), Twilight (Astronomical), X-Tilt, Y-Tilt, Z-Orientation, User Information Field, System Date and Time, Supply Voltage, Status, Checksum

γQ,269,000.03,311,000,000.00,000,000.00,000,0100,1032.5,1032.5,1032.5,028,+023.0,+003.8,05.90,00000.200,000.200,N,042,0001,01.20,+028,+028,1.2,+012.8,07:54,12:10,16:25,174:+18,17:03,17:45,18:24,+12,-14,+1,2017-01-20T11:46:01.3,+05.0,0000,␣51

GPS

Node, Relative Wind Direction, Relative Wind Speed, Corrected Wind Direction, Corrected Wind Speed, Average Relative Wind Direction (WMO), Average Relative Wind Speed (WMO), Relative Gust Direction (WMO), Relative Gust Speed (WMO), Average Corrected Wind Direction (WMO), Average Corrected Wind Speed (WMO), Corrected Gust Direction (WMO), Corrected Gust Speed (WMO), Wind Sensor Status, Pressure, Pressure at Sea level, Pressure at Station, Relative Humidity, Temperature, Dewpoint, Absolute Humidity, Total Precipitation, Precipitation Intensity, Precipitation Status, Compass Heading, Solar Radiation, Sunshine Hours, GPS Location, GPS Heading, GPS Speed Over Ground, GPS Sensor Status, Wind Chill, Heat Index, Air Density, Wet Bulb Temperature, Sunrise Time, Solar Noon Time, Sunset Time, Position of the Sun, Twilight (Civil), Twilight (Nautical), Twilight (Astronomical), X-Tilt, Y-Tilt, Z-Orientation, User Information Field, System Date and Time, Supply Voltage, Status, Checksum

γQ,269,000.03,311,003.17,000,000.00,000,000.00,000,001.45,135,011.05,0100,1032.5,1032.5,1032.5,028,+023.0,+003.8,05.90,00000.200,000.200,N,042,0001,01.20,+50.762988:-001.539893:-0.80,064,+000.10,010B,+028,+028,1.2,+012.8,07:54,12:10,16:25,174:+18,17:03,17:45,18:24,+09,+03,+1,,2017-01-20T11:46:01.3,+05.0,0000,␣51

GMX550/GMX600 Factory Default Data String

Items in red relate to the GPS Option Unit.

NODE, DIR, SPEED, CDIR, **CSPEED**, PRESS, RH, TEMP, DEWPOINT, TOTAL PRECIP, PRECIP INTENSITY, **GPSLOCATION**, TIME, VOLT, STATUS, CHECK

␣Q,021,000.01,090,**000.01**,1015.3,041,+022.0,+008.5,0000.200,000.200,**+50.763004:-001.539898:+3.10**,2015-06-05T10:19:30.8,+05.1,0004,␣ 36

Where: ␣	STX	000.200	Precipitation Intensity
Q	Node Letter	+50.763004	GPS Latitude
021	Wind Direction	-001.539898	GPS Longitude
000.01	Wind Speed	+3.10	GPS Height location
090	Corrected Direction	2015-06-05	Date
000.01	GPS Corrected Speed	T10:19:30.8	Time
1015.3	Pressure	+05.1	Supply Voltage
041	Relative Humidity	0004	Status
+022.0	Temperature	␣	ETX
+008.5	Dewpoint	36	Checksum
0000.200	Precipitation Total		

Notes: <STX> is the Start of String character (ASCII value 2)
 <ETX> is the End of String character (ASCII value 3)
 Checksum, the 2 digit Hex Checksum sum figure is calculated from the Exclusive OR of the bytes between (and not including) the STX and ETX characters

MetSet Default Settings

REPORT : NODE DIR SPEED CDIR CSPEED PRESS RH TEMP DEWPOINT PRECIPT PRECIPI GPSLOCATION		
TIME VOLT STATUS CHECK		
PROTOCOL : GILL	SENSOR COMPASS : ON	POWER : 0
COMMS : RS232	COMPASSDECL : +000.0	TIME : 2015-06-05T11:04:54
BAUD : 19200	SENSOR GPS : ON	AUTOTIME : ON
NODE : Q	UNITS GPS : MS	TZOFFSET : +00.00
OUTFREQ : 1HZ	SENSOR TEMP : ON	PUPMSG STATUS : ON
MSGMODE : CONT	UNITS TEMP : C	PUPMSG REPORT : ON
ASCTERM : CRLF	SENSOR DEWPOINT : ON	PUPMSG UNITS : ON
ECHO : ON	UNITS DEWPOINT : C	MODBUS : RTU
ALIGN : 0	SENSOR PRESS : ON	MODADDR : 1
SENSOR WIND : ON	UNITS PRESS : HPA	DATABITS : 8
UNITS WIND : MS	HASL : +00000.00	STOPBITS : 1
NODIR : 0.00	HASTN : +00000.00	PARITY : NONE
AVGSHORT : 60	SENSOR RH : ON	MODTERM : 10
AVGLONG : 10	UNITS RH : %	MODICT : 1000
	SENSOR PRECIP : ON	
	UNITS PRECIP : MM	

GMX550/GMX600 Full Data String

Non-GPS

Node, Relative Wind Direction, Relative Wind Speed, Corrected Wind Direction, Average Relative Wind Direction (WMO), Average Relative Wind Speed (WMO), Relative Gust Direction (WMO), Relative Gust Speed (WMO), Average Corrected Wind Direction (WMO), Wind Sensor Status, Pressure, Pressure at Sea level, Pressure at Station, Relative Humidity, Temperature, Dewpoint, Absolute Humidity, Total Precipitation, Precipitation Intensity, Precipitation Status, Compass Heading, Wind Chill, Heat Index, Air Density, Wet Bulb Temperature, Sunrise Time, Solar Noon Time, Sunset Time, Position of the Sun, Twilight (Civil), Twilight (Nautical), Twilight (Astronomical), X-Tilt, Y-Tilt, Z-Orientation, User Information Field, System Date and Time, Supply Voltage, Status, Checksum

γQ,269,000.03,311,000,000.00,000,000.00,000,0100,1032.5,1032.5,1032.5,028,+023.0,+003.8,05.90,00000.200,000.200,N,042,+028,+028,1.2,+012.8,07:54,12:10,16:25,174:+18,17:03,17:45,18:24,+12,-14,+1,2017-01-20T11:46:01.3,+05.0,0000,␣51

GPS

Node, Relative Wind Direction, Relative Wind Speed, Corrected Wind Direction, Corrected Wind Speed, Average Relative Wind Direction (WMO), Average Relative Wind Speed (WMO), Relative Gust Direction (WMO), Relative Gust Speed (WMO), Average Corrected Wind Direction (WMO), Average Corrected Wind Speed (WMO), Corrected Gust Direction (WMO), Corrected Gust Speed (WMO), Wind Sensor Status, Pressure, Pressure at Sea level, Pressure at Station, Relative Humidity, Temperature, Dewpoint, Absolute Humidity, Total Precipitation, Precipitation Intensity, Precipitation Status, Compass Heading, GPS Location, GPS Heading, GPS Speed Over Ground, GPS Sensor Status, Wind Chill, Heat Index, Air Density, Wet Bulb Temperature, Sunrise Time, Solar Noon Time, Sunset Time, Position of the Sun, Twilight (Civil), Twilight (Nautical), Twilight (Astronomical), X-Tilt, Y-Tilt, Z-Orientation, User Information Field, System Date and Time, Supply Voltage, Status, Checksum

γQ,269,000.03,311,003.17,000,000.00,000,000.00,000,001.45,135,011.05,0100,1032.5,1032.5,1032.5,028,+023.0,+003.8,05.90,00000.200,000.200,N,042,+50.762988:-001.539893:-0.80,064,+000.10,010B,+028,+028,1.2,+012.8,07:54,12:10,16:25,174:+18,17:03,17:45,18:24,+09,+03,+1,,2017-01-20T11:46:01.3,+05.0,0000,␣51

6.2. Configuring MaxiMet with MetSet

Install MetSet software (V2.12.01 or higher) on to a PC from the supplied CD or download MetSet from the Gill website at:

<http://gillinstruments.com/main/software.html>

Before you use MetSet check that MaxiMet is correctly connected to a serial COM port or USB COM port on your PC (maximum COM port number accepted by MetSet is 50).

The optional Gill 1.8m, RS232 to USB cable (Gill Part No. 1957-10-065) can be used to power and provide a suitable communication link for configuring a MaxiMet unit.

Notes: MetSet is compatible with RS232 and RS422 connected units with ASCII and NMEA outputs only. Use Safe Mode if connected to units set for SDI-12 or Modbus outputs to read/change settings.

The availability of certain functions and parameters illustrated will depend on the MaxiMet model and Options see Para 2.1.2 and for Parameter details, Para 9.1.

6.2.1 Opening MetSet

Click on the MetSet button on your PC's desktop or choose **Start > All Programs > MetSet > MetSet**

The MetSet Control Centre window is displayed. If you have more than one MaxiMet connected to your PC, MetSet, by default, selects the first device detected.

For most applications it is recommended to click on the MetSet **Connect and Read** button.

MetSet interrogates the MaxiMet and returns a summary of the device settings. Depending on the MaxiMet sensor connected only settings and parameters appropriate to the connected MaxiMet unit will be shown.

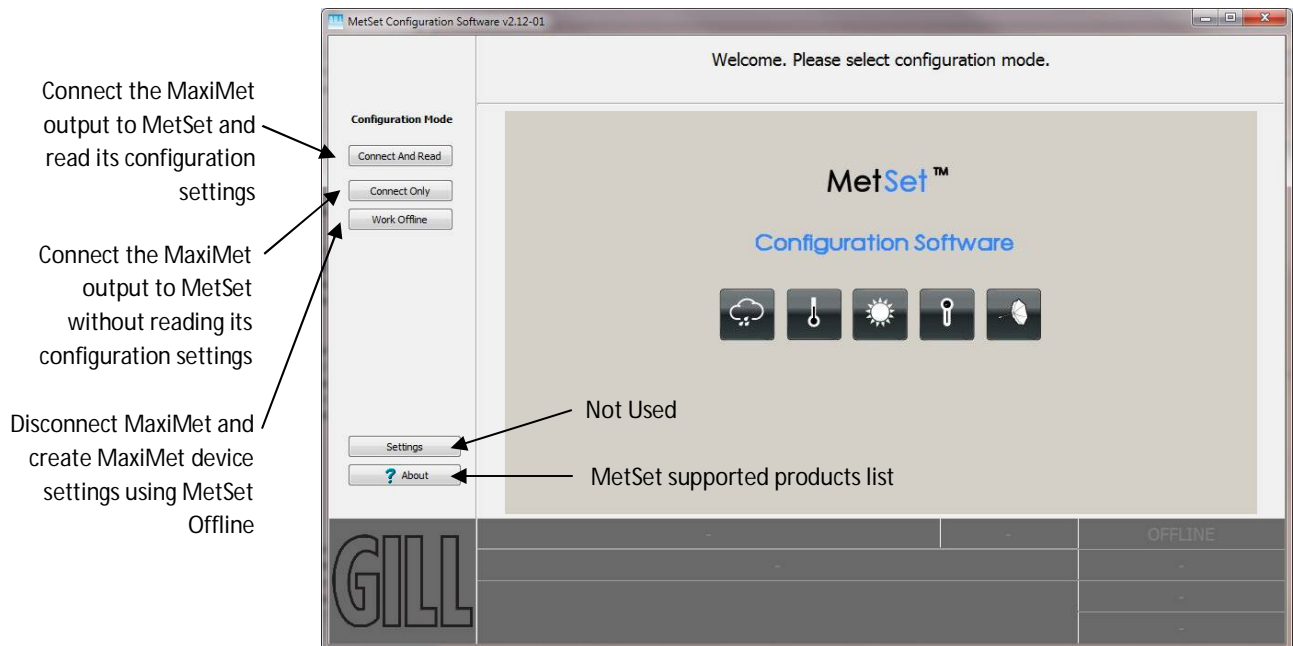


Figure 1 - Opening MetSet Screen

Note: MetSet also saves a copy of this screen to the connected PC as a Session Report File that can be accessed from the following destination: C:\GillAppsData\Metset\SessionReports.

Example Summary of MaxiMet Device Settings (GMX550 with GPS option shown):

SETTINGS ARE AS FOLLOWS:

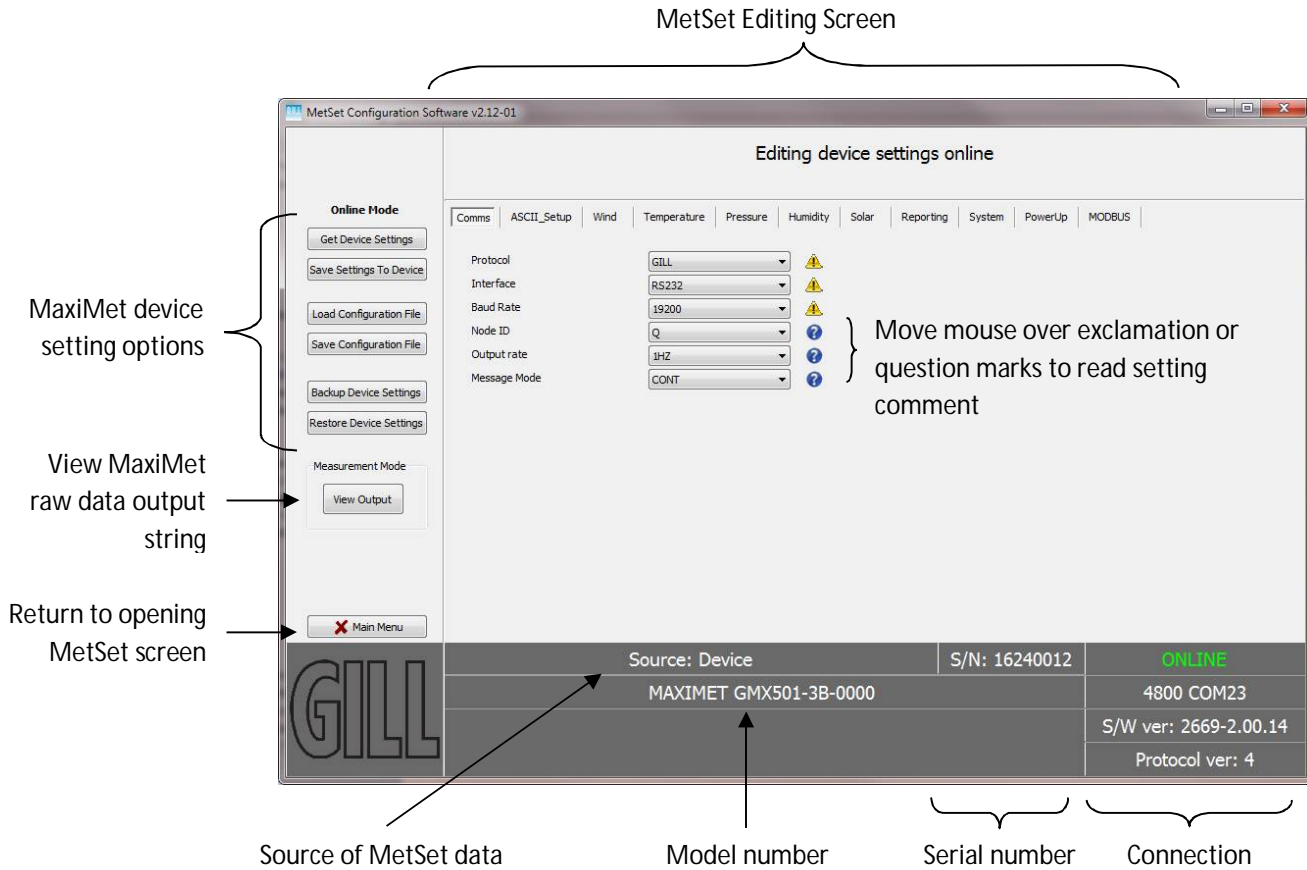
PROTOCOL: GILL
COMMS: RS232
(BAUD): 19200
NODE: Q
OUTFREQ: 1HZ
MSGMODE: CONT
ASCTERM: CRLF
ECHO: ON
ALIGN: 0
SENSOR WIND: ON
UNITS WIND: MS
NODIR: 0.00
AVGSHORT: 60
AVGLONG: 10
SENSOR COMPASS: ON
COMPASSDECL: +000.0
SENSOR GPS: ON
UNITS GPS: MS
SENSOR TEMP: ON
UNITS TEMP: C
SENSOR DEWPOINT: ON
UNITS DEWPOINT: C
SENSOR PRESS: ON
UNITS PRESS: HPA
HASL: +00000.00
HASTN: +00000.00
SENSOR RH: ON
UNITS RH: %
SENSOR PRECIP: ON
UNITS PRECIP: MM
ARPRECIP: ON
REPORT: NODE DIR SPEED CDIR CSPEED PRESS RH TEMP DEWPOINT PRECIPT PRECIPI GPSLOCATION TIME
VOLT STATUS
POWER: 0
TIME: 2016-04-15T12:30:57
AUTOTIME: ON
TZOFFSET: +00.00
PUPMSG STATUS: ON
PUPMSG REPORT: ON
PUPMSG UNITS: ON
MODBUS: RTU
MODADDR: 1
DATABITS: 8
STOPBITS: 1
PARITY: EVEN
MODTERM: 10
MODICT: 1000

Note: Changes to BAUD, COMMS or PROTOCOL settings will take place after next power-up.

Click on the Close button to continue to the MetSet set up screen.

6.2.2 MetSet Editing Screen

When connected correctly a MetSet editing screen is available to read configuration settings, change configuration settings, save MaxiMet configuration settings to a PC file location, upload MaxiMet configuration settings from a PC file and view the MaxiMet raw data string output.



MetSet Connection Status Information

Reading	Function
ONLINE	ONLINE in green indicates the MaxiMet has been successfully connected to MetSet. OFFLINE in grey indicates that MetSet is being used without a MaxiMet in communication with MetSet.
4800 COM23	4800 is a report on the MaxiMet baud rate setting. COM 23 is a report on the MaxiMet COM port connection number.
S/W ver: 2669-2.00.14	2669 is the MaxiMet firmware number. 2.00.14 is the firmware revision.
Protocol ver: 4	4 is the protocol version (Gill internal reference).
Source: Device	MetSet reads 'Device' when the source of the data that MetSet has retrieved has come from the MaxiMet and the MaxiMet Model. MetSet reads 'File' when the source of data has come from a saved file. MetSet reports on the connected MaxiMet device (MAXIMET GMX501-3B-000) and reads the unit Serial Number (S/N: 16240012)

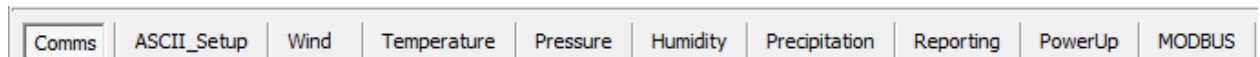
6.2.3 MetSet Online Settings

Online Mode Buttons	Function
Get Device Settings	MetSet retrieves the MaxiMet configuration settings.
Save Settings To Device	MetSet configuration settings are saved to a connected MaxiMet.
Load Configuration File	When selected MetSet retrieves a MetSet edit PC file and updates MetSet with these settings.
Save Configuration File	When selected MetSet edit settings are saved to a PC file location.
Backup Device Settings	When selected the MaxiMet configuration settings are transferred to MetSet and then to a file location selected on a PC.
Restore Device Settings	When selected MetSet retrieves a MaxiMet configuration setting from a PC file, loads it into the MaxiMet and updates the MetSet edit settings.
Measurement Mode View Output	Click on View Output to view the raw ASCII MaxiMet data string scrolling at the output rate. (View only feature). E.g. Q,127,000.03,000,2000-01-01T00:40:50.2,+10.5,0000, 21
Main Menu	Click here to go back to the opening MetSet screen

6.2.4 MetSet Editing Pages

Features and parameters available to view and select will depend on the MaxiMet model connected. See para 2.1.2 for a summary of available sensor outputs and parameters.

Note: Items shown in bold are the default settings.



Comms

Protocol	GILL	
Interface	RS232	
Baud Rate	19200	
Node ID	Q	
Output rate	1HZ	
Message Mode	CONT	

Protocol: **GILL**, MODBUS or SDI-12

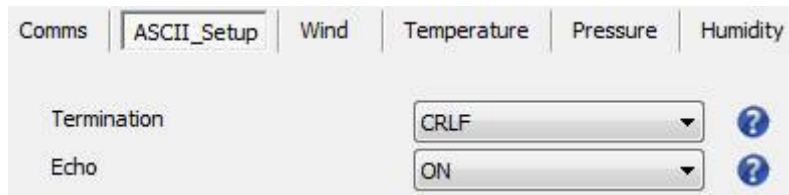
(for SDI-12 also set MetSet Comms/Interface to SDI-12)

- Interface: **RS232**, RS422, RS485P2W (point to point), SDI-12 and EXT
 EXT setting means RS422 or RS232 selected by a wire link on connector pin 8 (see para 4.4.2)
- Baud Rate: 4800, 9600, **19200**, 38400 or 57600
 (1200 auto selected with SDI-12 setting)
- Node ID: A to P, **Q** to Z
- Output Rate: **1Hz (1 per second)**, once per minute, once per hour
- Message Mode: **CONT (continuous output)** or POLL (polled mode)

Notes: When Comms or Baud Rate settings are changed and saved to the device a warning is issued by MetSet. These setting changes will not become active until the MaxiMet power is turned off and turned on again. The connecting device will then also need its Comms and Baud Rate settings changed to match the MaxiMet.

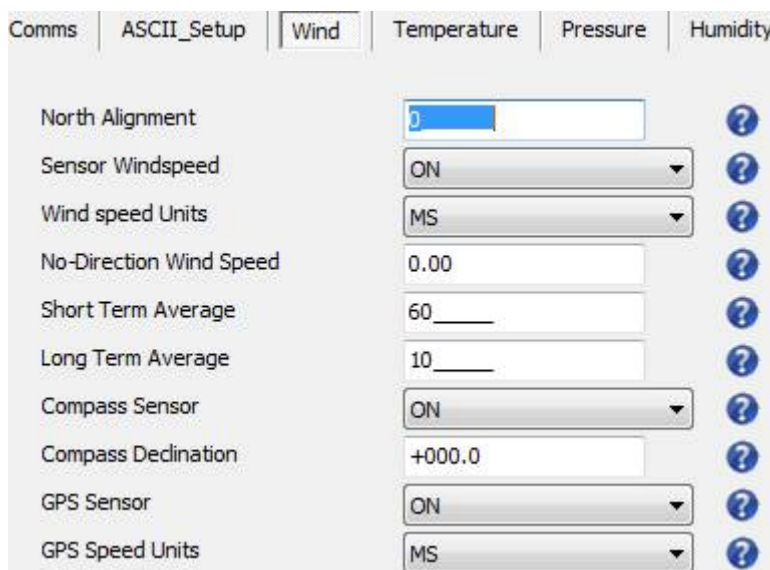
When selecting Modbus, Message Mode must be set for CONT.

ASCII Setup



- Termination: **CRLF** or CR
- Echo: **ON** or OFF

Wind



North Alignment:	0-359 degrees
Sensor Windspeed:	ON or OFF
Wind Speed Units:	MS , KTS, MPH, KPH, FPM (Metres/Second, Knots (Nautical Miles/Hour), Miles/Hour, Kilometres/Hour, Feet/Minute)
No-Direction Wind Speed:	0.00 m/s to 5.00m/s Wind speed above which direction readings are output.
Short Term Average:	60 (10-60) Configures WMO Short Term Average as the defined multiple of the output rate i.e. AVGSHORT 10 is a rolling average of the last ten outputs.
Long Term Average:	10 (1-10) Configures WMO Long Term Average as the defined multiple of the Short Term Average i.e. if AVGSHORT is 10 and AVGLONG is also 10, Long Term Average is a rolling average of the last 100 outputs.
Compass Sensor:	ON or OFF With Compass Sensor ON, Wind Direction readings corrected to Magnetic North are output in the data string (CDIR). If set to OFF, the field with Compass Corrected Direction reading is left blank.
Compass Declination:	+000.0 Declination is the magnetic declination (the angle between Magnetic North and True North) in degrees. This is a correction factor that is added to the Magnetic North heading from the compass. Map and declination figures in decimal figures can be obtained from: http://www.geosats.com/magdecli.html http://www.ngdc.noaa.gov/geomag/declination.shtml
GPS Sensor:	ON or OFF (for GPS sensor output option units)
GPS Speed Units:	MS , KTS, MPH, KPH, FPM

WMO Average Wind Reading Notes

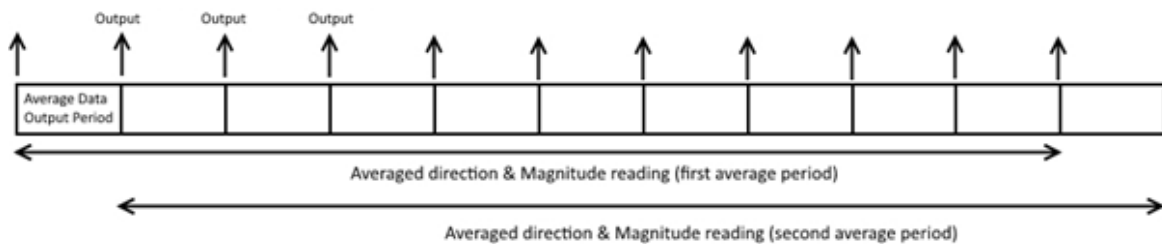
Note: WMO averaged wind readings are disabled in MaxiMet power saving mode.

The default output rate from MaxiMet is one new reading every second. In this case the WMO averaged wind reading result will be based on:

$$\text{Long Term Average (1 - 10)} \times \text{Short Term Average (10 - 60)}$$

The direction and magnitude outputs are derived from the vector sum of U and V over the RWALONG averaging period (default 10 minutes with 1Hz output rate).

The gust output is derived from the vector sum of U and V over 3 readings (3 seconds with a 1 Hz output rate), and the max gust is the maximum of the gust value over the RWASHORT period (default 60 seconds with a 1Hz output rate). The max gust value is reset to zero at the end of each RWASHORT period.



RWA Default Settings:

Output rate (Hz):	1
RWASHORT:	60
RWALONG:	10

Therefore **MaxiMet output period** = $60/1 = 60$ seconds (the MaxiMet will output a reading every 60 seconds).

Averaged direction and magnitude reading = $10 \times 60 = 600$ seconds (this is the time the readings will be averaged over).

When the average building period has been completed, the average reported thereafter will be a rolling average derived from the last averaged direction and magnitude time period.

For instance, if a **2 minute averaged data** output was required set:

RWALONG:	2
RWASHORT:	60

For these settings, every minute you would get an averaged output reading based on the previous 2 minutes of wind data.

For instance if a **10 minute averaged data** output was required set:

RWALONG:	10
RWASHORT:	60

For these settings, every minute you would get an averaged output reading based on the previous 10 minutes of wind data.

To enable WMO averaged Wind readings in the MaxiMet data string select the Reporting Tab/USERDEF and add new reporting field from the drop down menu called:

AVGSPEED	Outputs Average Speed readings
AVGDIR	Outputs Average Direction readings
AVGCDIR	Outputs Average Corrected Direction readings

The maximum Gust Speed is the magnitude of the maximum gust measured over the short term output period. Gust is generated from a rolling 3s average of the short term output period, and reset at the end of short term output period.

GSPEED	Outputs Maximum Wind Gust Speed
--------	---------------------------------

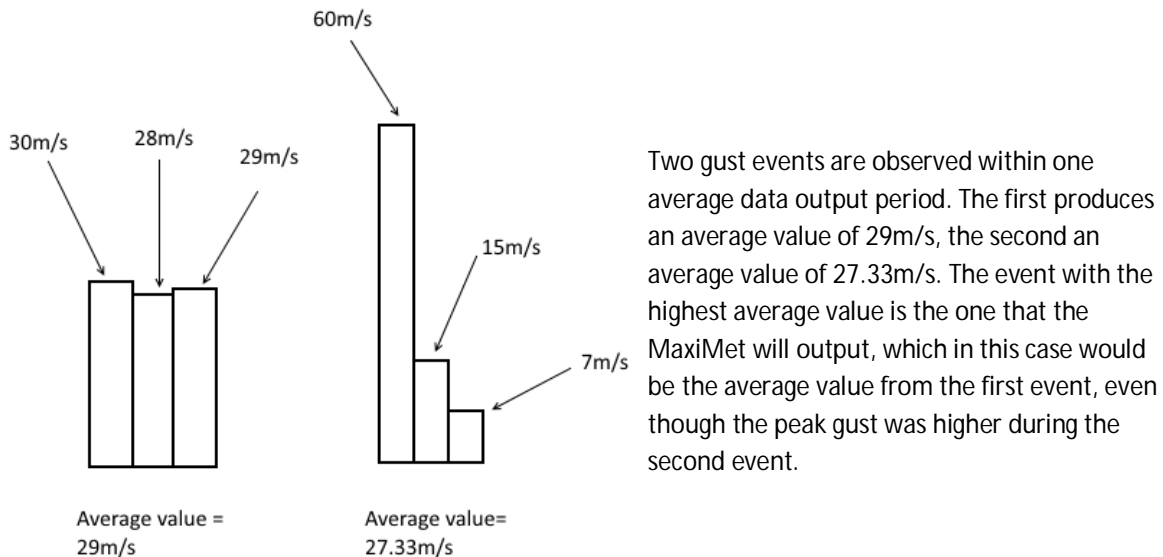
The maximum Gust Direction is the direction of the maximum gust measured over the short term output period. Gust is generated from a rolling 3s average of the short term output period, and reset at the end of short term output period.

GDIR	Outputs Maximum Wind Gust Direction
------	-------------------------------------

Whenever the unit is powered up then until the unit has reached its minimum long term averaging interval the Wind Status Code will read 0100 (Measurement Average Building).

If MaxiMet is in polled mode then when polled (default 1Hz output) MaxiMet will output the last valid 10 minute wind speed and direction average, updated every minute along with last valid 1 minute gust magnitude, due to default WMO settings.

In polled mode, the last set of computed WMO measurements shall be output on receipt of a poll request. Whilst a new WMO average is building, the last computed WMO average shall be output.



Temperature

Comms	ASCII_Setup	Wind	Temperature	Pressure	Humidity
			Temperature Sensor	ON	?
			Temperature Units	C	?
			Dew point Sensor	ON	?
			Dew point units	C	?

Temperature Sensor:	ON or OFF
Temperature Units:	C , K or F (Centigrade, Kelvin, Fahrenheit)
Dew Point Sensor:	ON or OFF
Dew Point Units:	C , K or F

Pressure

Comms	ASCII_Setup	Wind	Temperature	Pressure	Humidity
			Pressure Sensor	ON	?
			Pressure Units	HPA	?
			Height Above Sea Level	+00000.00	?
			Height Above Station	+00000.00	?

Pressure Sensor:	ON or OFF
Pressure Units:	HPA , MB, MMHG, INHG (Hectopascals, Millibars, Millimetres Mercury, Inches Mercury).
Height Above Sea Level:	+00000.00 (0 to 10000 metres) Elevation (on the ground) of the unit relative to the average sea level point. Atmospheric pressure varies with height above sea level as well as with atmospheric conditions. As the altitude at which the pressure sensor operates is usually constant (the station height), a correction is made to make the reading of the pressure sensor seem as if it were made at sea level. This means that the pressure reading has to be slightly increased from the value read by the MaxiMet sensor situated above sea level (often known as the station pressure).
Height Above Station:	+00000.00 (-100 to +100 Metres)

The user can set the HASL figure together with the HASTN figure to allow pressure at sea level to be calculated.

Humidity

Humidity Sensor: **ON** or OFF

Humidity Units: **%**

Precipitation (Rain)

Rain Sensor: **ON** or OFF

Precipitation Units: **MM** or IN (per hour)

Auto-reset Total Precipitation: **ON** or OFF

ON resets the total precipitation reading to zero when the clock time reads 23:59:59 to 00 (midnight).

OFF results in continuous total precipitation measurement.

Rain Gauge Tip Size:

GMX550/551 default **0.000** (can be set for 0.000 to 9.998 mm to match connected gauge).

When a Rain only Indication sensor is connected then with the Tip Size set to zero (i.e.: 0.000) the Precipitation Status shall update as follows:

Precipitation Status shall report Y whilst the contact/ relay is in its closed state.

Precipitation Status shall report N whilst the contact/relay is in its open state.

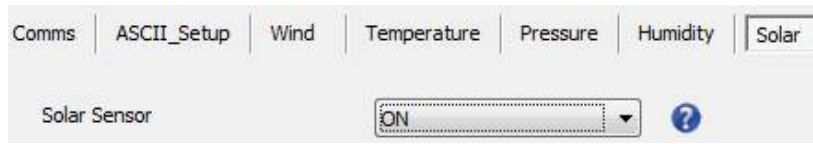
When a Tipping bucket device is connected to the GMX550/GMX551 then set the Tip size to match that of the tipping bucket.

GMX100/240/400/541/600 default **0.080**, (set for 0.08mm to use with the Solid State Rain Gauge).

GMX531 default **0.200** (can be set for 0.000 to 9.998 mm to match connected gauge)

For an indication of Precipitation Status in the data string (Y (yes) or N (no)) refer to the Reporting page and select PRECIPS.

Solar

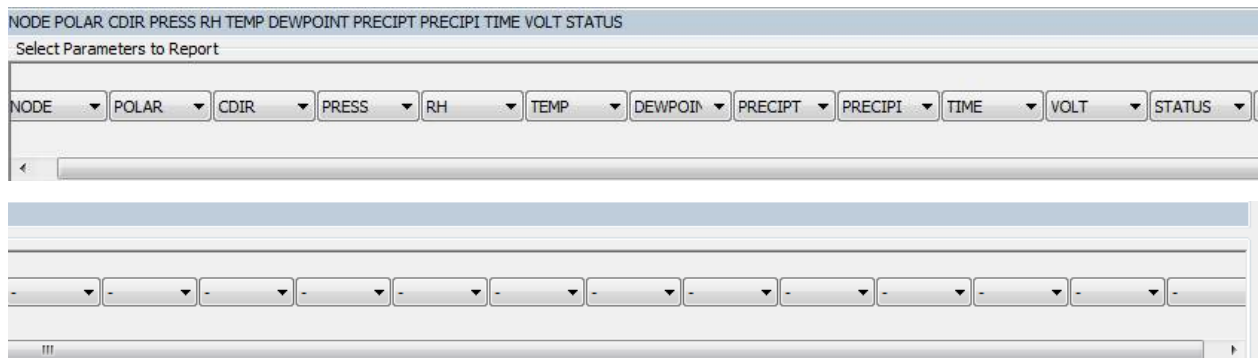


Solar Sensor: **ON** or OFF

Reporting



Report Format: **USERDEF**, DEFAULT, FULL or NMEA



Select Parameters to Report.

Actual reported parameters and order of output shown will depend on the MaxiMet Model. For more details on derived parameters refer to para 2.1.2 and para 9.1.

DEFAULT	Sets the unit to report the factory set output parameters
FULL	Sets the unit to output every available sensor and derived parameter output
NMEA	Sets the unit to output an NMEA data string
USERDEF	Report parameters can be selected in any order or switched on or off in USERDEF setting
NODE	Outputs a Node letter (A to Z)
SPEED	Outputs Wind Speed readings
CSPEED	Outputs Corrected Speed if a GPS option is enabled
GSPEED	Outputs WMO Gust Speed
CGSPEED	Corrected Gust Speed if a GPS option is enabled
AVGSPEED	Outputs WMO average speed reading based on AVG Short and AVG Long settings
AVGCSPEED	Outputs WMO average corrected speed reading using GPS based on AVG Short and AVG Long settings
DIR	Outputs Wind Direction readings
CDIR	Outputs Compass Corrected Wind Direction readings
GDIR	Outputs WMO Gust Direction
CGDIR	Compass Corrected WMO Gust Direction
AVGDIR	Outputs WMO average direction reading based on AVG Short and AVG Long settings

AVGCDIR	Outputs WMO average compass corrected direction reading based on AVG Short and AVG Long settings
PRESS	Outputs the Barometric Pressure reading
PASL	Outputs Barometric Pressure at Sea Level if HASL figure set (see page 63)
PSTN	Outputs Barometric Pressure at Station if HASTN figure set (see page 63)
RH	Outputs Relative Humidity reading
AH	Outputs Absolute Humidity
TEMP	Outputs the Temperature reading
DEWPOINT	Outputs the Dewpoint reading
PRECIPT	Outputs Precipitation (Rain) Total reading; this reading is updated at the output rate (default 1Hz/ once per second) Is set to zero on MaxiMet power up Is set to zero when the clock reads 23:59:59 to 00 (midnight) if Automatic Reset of Total Precipitation is set to ON (default setting)
PRECIPI	Outputs Precipitation (Rain) Intensity. It is the sum of the last sixty lots of 1 minute accumulated rain data. A new sum measurement is generated every minute
PRECIPS	Outputs Precipitation (Rain) Status as No (N) or Yes (Y) Changes N to Y when total precipitation is incremented Changes Y to N when total precipitation has not incremented in the last 60 seconds
WCHILL	Outputs the Wind Chill value when Temperature is below 10°C and Wind Speed is at least 1.5m/s
HEATIDX	Outputs the Heat Index value when Temperature is above 75°F
AIRDENS	Outputs the Air Density value
WBTEMP	Outputs the Wet Bulb Temperature
SOLARRAD	Outputs the Solar Radiation reading
SOLARHOURS	Sunshine Hours
SUNR	Sunrise
SNOON	Solar Noon
SUNS	Sunset
SUNP	Position of the Sun (Azimuth and Elevation)
TWIC	Twilight (Civil)
TWIN	Twilight (Nautical)
TWIA	Twilight (Astronomical)
XTILT	Tilt in X axis
YTILT	Tilt in Y axis
ZORIENT	Orientation (upright/inverted)
COMPASSH	Compass Heading direction reading
GPSHEADING	Outputs a GPS direction heading
GPSSPEED	Outputs a GPS speed over ground
GPSLOCATION	Outputs Longitude, Latitude and GPS height
GPSSTATUS	Outputs a location fix and the number of viewable satellites
TIME	Outputs MaxiMet Date and Time
VOLT	Outputs the MaxiMet Supply Voltage
STATUS.	Outputs the MaxiMet Sensors Status Code (see para 8.3)
WINDSTAT	Outputs Status Codes relating to Wind Sensor Data (see para 8.3)
USERINF	User Information up to 16 characters, excludes "@", ";", "*", "%", and "?"

System

Comms	ASCII_Setup	Wind	Temperature	Pressure	Humidity	Solar	Reporting	System
Power Mode			0					?
Date Time			2015-06-17T07:33:16					?
Update System time from GPS			ON					?
Time Offset			+00.00					?
Latitude			+50.758500					?
Longitude			-001.541900					?
User information			CAL DUE 15.08.17					?

Power Mode: 0 or 1

0 is the default normal power operation mode

1 is a power-saving mode and with this set then the unit will make one reading only at the output rate whether in polled mode or continuous mode. For lowest power set the unit for 1 output reading per hour.

Notes: Power Saving Mode (1) is not applicable to NMEA, SDI-12 or Modbus outputs.

In Power Saving Mode Precip I, Precip T, Average Wind Data and Sunshine hours cannot be calculated.

Date Time: Set/read system Date/Time (YYYY-MM-DDTHH:MM:SS).

See also para 6.9 for more accurately setting Date/Time.

Update System time from GPS: ON/OFF

If a GPS unit is enabled then UTC time is applied. Allow an hour for the GPS time to update after switch on.

Time Offset: +00.00

GPS UTC time offset (range -24.00 to +24.00 hrs)

Latitude: If using solar units for which Sunrise, Sunset and other related parameters are needed then enter the installation location Latitude.

Longitude: If using solar units for which Sunrise, Sunset and other related parameters are needed then enter the installation location Longitude.

User Information: The User Information field shall have a maximum size of 16 characters, comprised of printable ASCII characters (to exclude "@", ",", "*", "% and "?").

Note: Space character may be included.

This field allows the user to, for instance, record installation or calibration dates, e.g. Cal due 15.08.17

PowerUp

Comms	ASCII_Setup	Wind	Temperature	Pressure	Humidity	Precipitation	Reporting	System	PowerUp
Status Message Output	<input type="text" value="ON"/>								
Report Message Output	<input type="text" value="ON"/>								
Units Message Output	<input type="text" value="ON"/>								

Status Message Output: **ON** or OFF
 E.g. MAXIMET GMX501-3B-0000 2669 V2.00.14
 Reports MaxiMet Model details and Firmware version.

Report Message Output: **ON** or OFF
 E.g. NODE,DIR,SPEED,CDIR,PRESS,RH,TEMP,DEWPOINT,SOLARRAD,
 TIME,VOLT,STATUS,CHECK
 Reports data string output parameters and output order.

Units Message Output: **ON** or OFF
 E.g. -,DEG,MS,DEG,HPA,%,C,C,WM2,-,V,-,-
 <END OF STARTUP MESSAGE>
 Reports the output parameters units of measure.

MODBUS

Comms	ASCII_Setup	Wind	Temperature	Pressure	Humidity	Precipitation	Reporting	System	PowerUp	MODBUS
Mode	<input type="text" value="RTU"/>									
Address	<input type="text" value="1"/>									
Data bits	<input type="text" value="8"/>									
Stop bits	<input type="text" value="1"/>									
Parity	<input type="text" value="NONE"/>									
Termination Char ASCII code	<input type="text" value="10"/>									
Inter-char timeout (ms)	<input type="text" value="1000"/>									

Mode: **RTU** or ASCII
 Address: **1** to 247
 Data Bits: **8 for Modbus RTU**, 7 for Modbus ASCII
 Stop Bits: **2 for No Parity**, 1 for Even/Odd Parity
 Parity: **NONE**, ODD, or EVEN
 Termination Char ASCII code: **10**, (0-255)
 Inter Char Timeout (mS): **1000** (500 to 10000)

6.3. Polled Mode

6.3.1 Configuration for Polled Mode (MaxiMet Set for Power Mode 0)

To configure a MaxiMet unit for polled mode:

1. Connect a default-set MaxiMet to a PC as described in para 4.6.
2. Open MetSet as described on para 6.2.
3. Click on the Edit Comms page:-
 - a. Set Protocol for required poll mode interface e.g. RS485.
 - b. Set Message Mode to Poll.
4. Click on Save Settings to Device on the Online Mode Menu.
5. Shut down the MaxiMet unit.
6. Change the hardware connections for the required poll mode interface.

6.3.2 Data Retrieval in Polled Mode (MaxiMet Set for Power Mode 0)

The measurement rate shall always be 1Hz (i.e. regardless of the selected output rate or polling rate).

The configured measurement string shall be output in response to a measurement request ("`<network node address>`") from the user.

E.g. `Q` (where `Q` is the default MaxiMet identifier, range A-Z).

When the user issues a poll measurement request, the last computed set of 1 Hz measurement shall be output.

Response time to a poll shall be less than 570 milliseconds but note that parameters that require GPS may not be readily available until satellite fix has been achieved.

6.4. Configuring MaxiMet for SDI-12

To configure a MaxiMet unit for SDI-12:

1. Connect a default-set MaxiMet to a PC as described in para 4.6.
2. Open MetSet as described on para 6.2.
3. Click on the Edit Comms page:-
 - a. Set Protocol for SDI-12.
 - b. Set Interface for SDI-12.
 No other settings changes are required.
4. Click on Save Settings to Device on the Online Mode Menu.
5. Shut down the MaxiMet unit.
6. Change the hardware connections for SDI-12 (see para 4.9).
7. Power up the MaxiMet unit (**SDI-12 supply voltage 9.6V to 16V DC**). Allow 10 seconds for the unit to start up before sending an SDI-12 command.

Notes: When Protocol is set for SDI-12 mode it automatically sets the MaxiMet Baud Rate to 1200 baud irrespective of its Baud setting.

Only parameters mentioned below are available in SDI-12 Protocol mode irrespective of the Reporting page setting.

6.4.1 SDI-12 Units of Measure

Note: Not all the following outputs are available and will depend on the MaxiMet variant, see paras 2.1.2 and 9.1.

GMX Model SDI-12 Output Parameters

Relative Wind Speed:	Metres per second (m/s)
Corrected Wind Speed:	Metres per second (m/s)
Relative Wind Direction:	Degrees (°)
Corrected Wind Direction:	Degrees (°)
Temperature:	Degrees Celsius (°C)
Relative Humidity:	Percent (%)
Dewpoint:	Degrees Celsius (°C)
Pressure:	Hectopascals (hPa)
Precipitation Intensity:	Millimetres per hour (mm/h)
Total Precipitation:	Millimetres (mm)
Wind Chill:	Degrees Celsius (°C)
Heat Index:	Degrees Celsius (°C)
Air Density:	Kilograms per metre cubed (kgm ⁻³)
Wet Bulb Temperature:	Degrees Celsius (°C)
Solar Radiation:	Watts per metre squared (W/m ²)
Sunshine Hours:	Hours (h)
Sunrise:	Hours:Minutes (h:min)
Solar Noon:	Hours:Minutes (h:min)
Sunset:	Hours:Minutes (h:min)
Position of the Sun:	Degrees (°)
Twilight Civil:	Hours:Minutes (h:min)
Twilight Nautical:	Hours:Minutes (h:min)
Twilight Astronomical:	Hours:Minutes (h:min)
X Tilt:	Positive or Negative Degrees (°)
Y Tilt:	Positive or Negative Degrees (°)
Z Orientation:	1 or 0
Height above sea level:	Metres (m)

Latitude: Degrees (positive values are N, negative are S)
 Longitude: Degrees (positive values are E, negative are W)
 Date: Years-Months-Days
 Time: Hours:Minutes:Seconds (h:min:s)
 Status: 4 Digit Sensor Status Code (e.g. 0000 for a no-fault condition)

6.4.2 SDI-12 Commands

Note: Unavailable measurements shall be "padded", e.g.: +999.99

- ?! Returns unit address (default is 0)
- a Current unit address letter (factory default is 0, range is 0 to 9)
- b New address letter, range 0 to 9
- aAb! Change unit address from a to b (see above)
- aM! Address, Relative Wind Direction, Relative Wind Speed, Corrected Wind Direction, Corrected Wind Speed (GPS option units only), Status
- aM1! Address, Temperature, Relative Humidity, Dewpoint, Pressure, Status, Wind Chill, Heat Index, Air Density, Wet Bulb Temperature
- aM2! Address, Relative Wind Direction, Relative Wind Speed, Status
- aM3! Address, Precipitation Intensity (Rain), Total Precipitation (Rain), Status
- aM4! Address, Solar Radiation, Sunshine Hours, X Tilt, Y Tilt, Z Orientation, Status
- aM5! Address, signed Latitude integer part, signed Latitude fractional part, signed Longitude integer part, signed Longitude fractional part, Height Above Mean Sea Level, Status
- aM6! Address, Year, Month, Day, Hour, Minute, Second, Status
- aM7! Address, Sunrise Time, Solar Noon Time, Sunset Time, Position of the Sun (Azimuth), Position of the Sun (Elevation), Twilight (Civil), Twilight (Nautical), Twilight (Astronomical), Status
- aD0! Request a line of the above data

Command	Description	Response	Example
?!	Unit address	a<CR><LF>	0<CR><LF>
aAb!	Change the unit address a = 0, the default b = the new address	b<CR><LF>	1<CR><LF>
a!	Unit identification	013GillInst <serial number><CR><LF>	013GillInst 00014490002<CR><LF>
aM!	Address, Relative Wind Direction, Relative Wind Speed, Corrected Wind Direction, Corrected Wind Speed (GPS option unit only), Status	atttn<CR><LF> a is unit identifier ttt is time in seconds n is number of data values Measurement command to retrieve a reading of the maximum time the MaxiMet will take to complete a measurement, have data ready and the number of data values.	00035<CR><LF> 0 is unit identifier 003 is 3s measurement 5 is the number of data readings (Direction, Speed, Corrected Direction and Corrected Speed)
aD0!	Retrieve a line of the above data.	<address><relative wind direction><relative wind speed><corrected wind direction><corrected wind speed><status><CR><LF>	0+220+000.01+218+999.99 +0000<CR><LF>

aM1!	Address, Temperature, Relative Humidity, Dewpoint, Pressure, Status, Wind Chill, Heat Index, Air Density, Wet Bulb Temperature	atttn<CR><LF>	00029<CR><LF>
aD0!	Retrieve a line of the above data.	<address><temperature> <relative humidity><dewpoint> <pressure><status> <wind chill><CR><LF>	0+021.8+035+005.7+1006.2+000+999<CR><LF>
aD1!	Retrieve final part of the above data	<address><heat index><air density><wet bulb temperature><CR><LF>	0+999+1.2+013.0<CR><LF>
aM2!	Address, Relative Wind Direction, Relative Wind Speed, Status	atttn<CR><LF>	00033<CR><LF>
aD0!	Retrieve a line of the above data.	<address><dir><mag><status><CR><LF>	0+029+000.01+0000<CR><LF>
aM3!	Address, Precipitation Intensity, Total Precipitation, Status	atttn<CR><LF>	00033<CR><LF>
aD0!	Retrieve a line of the above data.	<address><precipitation intensity><total precipitation><status><CR><LF>	0+002.100+123.100+0000<CR><LF>
aM4!	Address, Solar Radiation, Sunshine Hours, X Tilt, Y Tilt, Z Orientation, Status	atttn<CR><LF>	00026<CR><LF>
aD0!	Retrieve a line of the above data.	<address><solar radiation><sunshine hours><x-tilt><y-tilt><z-orientation><status><CR><LF>	0+0001+00.00+02-05+1+0000<CR><LF>
aM5!	Address, signed Latitude integer part, signed Latitude fractional part, signed Longitude integer part, signed Longitude fractional part, Height Above Mean Sea Level, Status	atttn<CR><LF>	00026<CR><LF>
aD0!	Retrieve a line of the above data.	<address><signed latitude integer part><signed latitude fractional part><signed longitude integer part><signed longitude fractional part><height above mean sea level><status> <CR><LF>	0+50+763052-001-539920+00000.90+0000<CR><LF>

aM6!	Address, Year, Month, Day, Hour, Minute, Second, Status	atttn<CR><LF>	00027<CR><LF>
aD0!	Retrieve a line of the above data.	<address><year><month><day><hour><minute><second><status><CR><LF>	0+2015+06+15+14+07+52+0000<CR><LF>
aM7!	Address, Sunrise Time, Solar Noon Time, Sunset Time, Position of the Sun (Azimuth), Position of the Sun (Elevation), Twilight (Civil), Twilight (Nautical), Twilight (Astronomical), Status	atttn<CR><LF>	00039<CR><LF>
aD0!	Retrieve part of the above data.	<address><sunrise time><solar noon time><sunset time><position of the sun (azimuth)><position of the sun (elevation)><twilight (civil)><twilight (nautical)><CR><LF>	0+0515+1152+1829+115+27+1908+1950<CR><LF>
aD1!	Retrieve final part of the above data	<address><twilight (astronomical)><status><CR><LF>	0+2034+0000<CR><LF>

6.4.3 SDI-12 Commands with CRC

Note: Unavailable measurements shall be "padded", e.g.: +999.99

- ?! Returns unit address (default is 0)
- a Current unit address letter (factory default is 0, range is 0 to 9)
- b New address letter, range 0 to 9
- aAb! Change unit address from a to b (see above)
- aMC! Address, Relative Wind Direction, Relative Wind Speed, Corrected Wind Direction, Corrected Wind Speed (if GPS fitted), Status and CRC
- aMC1! Address, Temperature, Relative Humidity, Dewpoint, Pressure, Status, Wind Chill, Heat Index, Air Density, Wet Bulb Temperature and CRC
- aMC2! Address, Relative Wind Direction, Relative Wind Speed, Status and CRC
- aMC3! Address, Precipitation Intensity, Total Precipitation, Status and CRC
- aMC4! Address, Solar Radiation, Sunshine Hours, X Tilt, Y Tilt, Z Orientation, Status and CRC
- aMC5! Address, signed Latitude integer part, signed Latitude fractional part, signed Longitude integer part, signed Longitude fractional part, Height Above Mean Sea Level, Status and CRC
- aMC6! Address, Year, Month, Day, Hour, Minute, Second, Status and CRC
- aMC7! Address, Sunrise Time, Solar Noon Time, Sunset Time, Position of the Sun (Azimuth), Position of the Sun (Elevation), Twilight (Civil), Twilight (Nautical), Twilight (Astronomical), Status and CRC
- aD0! Request a line of the above data

Command	Description	Response	Example
aMC!	Address, Relative Wind Direction, Relative Wind Speed, Corrected Wind Direction, Corrected Wind Speed (GPS option unit only), Status and CRC	atttn<CR><LF> a is unit identifier ttt is time in seconds n is number of data values Measurement command to retrieve a reading of the maximum time the MaxiMet will take to complete a measurement, have data ready and the number of data values.	00035<CR><LF> 0 is unit identifier 003 is 3 sec. measurement 5 is the number of data readings (Direction, Speed, Corrected Direction, Corrected Speed and Status)
aD0!	Retrieve a line of the above data.	<address><relative wind direction><relative wind speed><corrected wind direction><corrected wind speed><status> <CRC><CR><LF>	0+192+000.07+267+999.9+0000D Q^<CR><LF>
aMC1!	Address, Temperature, Relative Humidity, Dewpoint, Pressure, Status, Wind Chill, Heat Index, Air Density, Wet Bulb Temperature and CRC	atttn<CR><LF>	00029<CR><LF>
aD0!	Retrieve a line of the above data.	<address><temperature> <relative humidity><dewpoint> <pressure><status><wind chill><CRC><CR><LF>	0+023.3+035+007.2+1015.1 +0000+999AiL<CR><LF>
aD1!	Retrieve final part of the above data	<address><heat index><air density><wet bulb temperature><CRC><CR><LF>	0+999+1.2+013.1A\W<CR><LF>
aMC2!	Address, Relative Wind Direction, Relative Wind Speed, Status and CRC	atttn<CR><LF>	00033<CR><LF>
aD0!	Retrieve a line of the above data.	<address><dir><mag><status><CRC> <CR><LF>	0+168+000.02+0000GbT<CR><LF>
aMC3!	Address, Precipitation Intensity, Total Precipitation, Status and CRC	atttn<CR><LF>	00033<CR><LF>
aD0!	Retrieve a line of the above data.	<address><precipitation intensity><total precipitation><status><CRC> <CR><LF>	0+000.000+000.000+0000HB@ <CR><LF>
aMC4!	Address, Solar Radiation, Sunshine Hours, X Tilt, Y Tilt, Z Orientation, Status and CRC	atttn<CR><LF>	00026<CR><LF>
aD0!	Retrieve a line of the above data.	<address><solar radiation><sunshine hours><x-tilt><y-tilt><z-orientation><status><CRC><CR><LF>	0+0001+00.00+02 -05+1+0000HB@<CR><LF>

aMC5!	Address, signed Latitude integer part, signed Latitude fractional part, signed Longitude integer part, signed Longitude fractional part, Height Above Mean Sea Level, Status and CRC	attn<CR><LF>	00026<CR><LF>
aD0!	Retrieve a line of the above data.	<address><signed latitude integer part><signed latitude fractional part><signed longitude integer part><signed longitude fractional part><height above mean sea level><status><CRC><CR><LF>	0+50+763052-001-539920+00000.90+0000 HB@<CR><LF>
aMC6!	Address, Year, Month, Day, Hour, Minute, Second, Status and CRC	attn<CR><LF>	00027<CR><LF>
aD0!	Retrieve a line of the above data.	<address><year><month><day><hour><minute><second><status><CRC><CR><LF>	0+2015+06+15+14+07+52+0004<CR><LF>
aMC7!	Address, Sunrise Time, Solar Noon Time, Sunset Time, Position of the Sun (Azimuth), Position of the Sun (Elevation), Twilight (Civil), Twilight (Nautical), Twilight (Astronomical), Status and CRC	attn<CR><LF>	00039<CR><LF>
aD0!	Retrieve part of the above data.	<address><sunrise time><solar noon time><sunset time><position of the sun (azimuth)><position of the sun (elevation)><twilight (civil)><twilight (nautical)><CRC><CR><LF>	0+0515+1152+1829+115+27+1908+195000s><CR><LF>
aD1!	Retrieve final part of the above data	<address><twilight (astronomical)><status><CRC><CR><LF>	0+2034+0000EOx><CR><LF>

6.5. Configuring MaxiMet for Modbus

6.5.1 MaxiMet Supported Modbus Specification

Modbus RTU or ASCII
 Baud Rate 9600 or 19200 Baud
 COMMS RS232 point to point only, RS485 2 wire networkable

Modbus Parameters

Parameter	Modbus ASCII		Modbus RTU	
Character	ASCII 0 to 9 and A to F (Hex)		Binary 0 to 255	
Error Check	Longitudinal Redundancy Check (LRC)		Cyclic Redundancy Check (CRC)	
Frame Start	Character ':' (3A Hex)		3.5 Characters Silence	
Frame End	Characters CR/LF (0D/0A Hex)		3.5 Characters Silence	
Gaps in Message	1 Second		1.5 Times Character Length	
Start Bit	1		1	
Data Bits	7		8	
Parity	Even/Odd	None	Even/Odd	None
Stop Bits	1	2	1	2

- Read Holding Registers function code is 0x03
- Diagnostics 0x08
- Get Comm event counter 0x0B
- Report slave/server ID 0x11

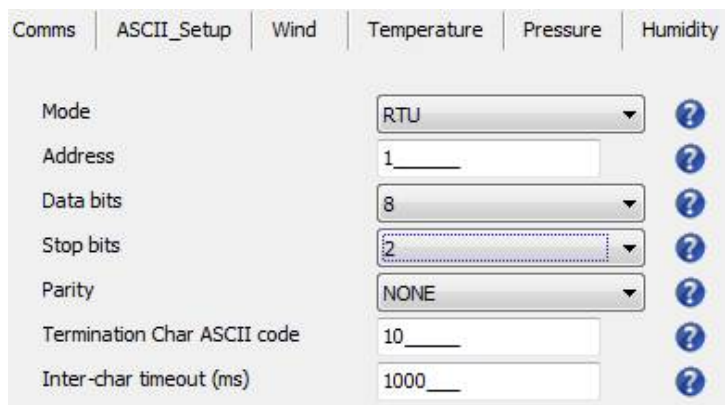
Requires: MaxiMet
 MetSet Software

1. Connect a MaxiMet to a PC COM port (default communication is RS232).
2. Open Gill MetSet Software.
3. Click on Connect and Read to reach the editing pages as shown below.

Configuration

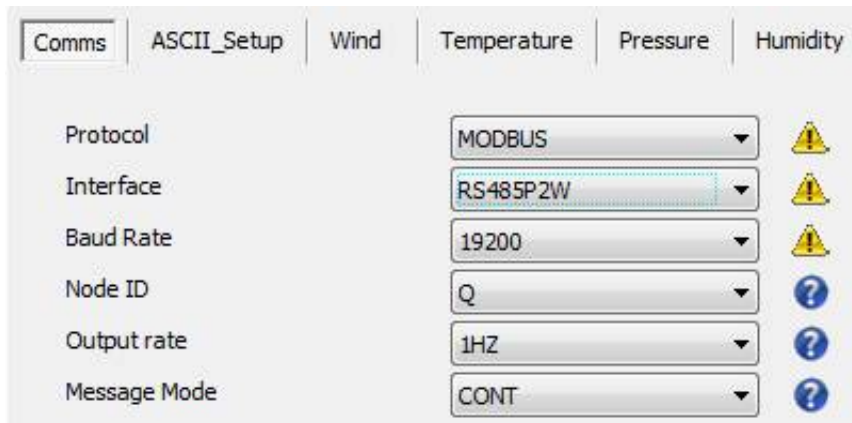
1. Select the Modbus page

Mode: Choose between RTU and ASCII, in this case RTU
 Address: Choose a MaxiMet address number between 1 to 247
 Data Bits: Choose 7 for Modbus ASCII and 8 for Modbus RTU
 Stop Bits: Choose 1 for Even/Odd Parity or 2 for No Parity (None)
 Parity: Choose Even/Odd or None
 Termination Char ASCII code: Choose between 0-255
 Inter Char Timeout (ms): Choose 500ms - 10000ms

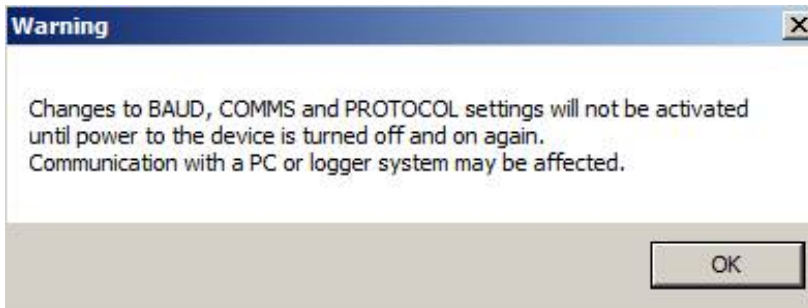


2. Select the COMMS Page

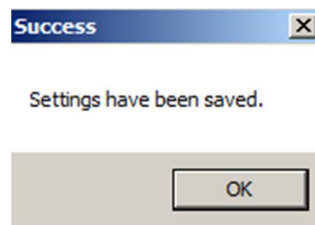
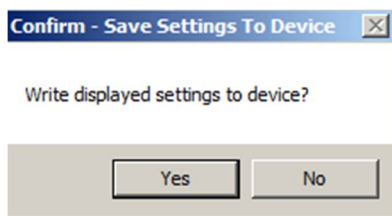
- | | |
|--|---|
| <p>Protocol: Default is Gill
Interface: Default is RS232</p> | <p>Select Modbus
Select RS232 or RS4852W
RS232 will only allow a single point to point non multi drop network connection. RS485 2 wire will allow networking with up to 32 connected devices.</p> |
| <p>Baud Rate: Default is 19200</p> | <p>Select required Baud Rate
(9600 or 19200 supported)</p> |
| <p>Node ID: Default is Q</p> | <p>Not used for Modbus</p> |
| <p>Output Rate: Default is 1Hz</p> | <p>Set update rate for MaxiMet Data</p> |
| <p>Message Mode: Default is CONT</p> | <p>Ensure that the setting is CONT mode; Message Mode POLL is not applicable for Modbus use.</p> |



3. When required settings have been selected click on Save Settings to Device



4. Click on Yes and then OK.



5. Power down the MaxiMet and apply power back to the MaxiMet to complete setting changes.

Note: Now that the unit is in Modbus mode if any further changes need to be made use the SAFE MODE connection and method to re-establish communication with MetSet (See para 6.7).

Taking Measurements in Modbus Mode

1. To work out Modbus register numbers applicable to a MaxiMet parameter, start out with setting up the MaxiMet in ASCII mode and determining which parameters are to be output, and the exact order that they are to be output before setting to Modbus Comms.
2. Refer to the Modbus output parameter table below to determine how many registers each chosen parameter will take up.
3. Fill up the register table, starting at 40001, with the required output parameters in the order in which they will be output.

Note: After powering up the MaxiMet, wait 10 seconds before requesting any measurements.

Summary of Modbus output parameters

Output Parameter	Type	No. of Registers
NODE	4 Bit Character String	2
SPEED	32 Bit Floating Point Value	2
CORRECTED SPEED	32 Bit Floating Point Value	2
GUST SPEED	32 Bit Floating Point Value	2
CORRECTED GUST SPEED	32 Bit Floating Point Value	2
AVERAGE SPEED	32 Bit Floating Point Value	2
AVERAGE CORRECTED SPEED	32 Bit Floating Point Value	2
DIRECTION	32 Bit Floating Point Value	2
CORRECTED DIRECTION	32 Bit Floating Point Value	2
GUST DIRECTION	32 Bit Floating Point Value	2
CORRECTED GUST DIRECTION	32 Bit Floating Point Value	2
AVERAGE DIRECTION	32 Bit Floating Point Value	2
AVERAGE CORRECTED DIRECTION	32 Bit Floating Point Value	2
PRESSURE	32 Bit Floating Point Value	2
PRESSURE AT SEA LEVEL	32 Bit Floating Point Value	2
PRESSURE AT STATION	32 Bit Floating Point Value	2
RELATIVE HUMIDITY	32 Bit Floating Point Value	2
ABSOLUTE HUMIDITY	32 Bit Floating Point Value	2
TEMPERATURE	32 Bit Floating Point Value	2
DEWPOINT	32 Bit Floating Point Value	2
PRECIPITATION TOTAL	32 Bit Floating Point Value	2
PRECIPITATION INTENSITY	32 Bit Floating Point Value	2
PRECIPITATION STATUS	4 Bit Character String	2
WIND CHILL	32 Bit Floating Point Value	2
HEAT INDEX	32 Bit Floating Point Value	2
AIR DENSITY	32 Bit Floating Point Value	2
WET BULB TEMPERATURE	32 Bit Floating Point Value	2
SOLAR RADIATION	32 Bit Floating Point Value	2
SOLAR HOURS	32 Bit Floating Point Value	2
SUNRISE	32 Bit Floating Point Value	2
SOLAR NOON	32 Bit Floating Point Value	2
SUNSET	32 Bit Floating Point Value	2
POSITION OF THE SUN	8 Bit Character String	4
TWILIGHT (CIVIL)	6 Bit Character String	3

TWILIGHT (NAUTICAL)	6 Bit Character String	3
TWILIGHT (ASTRONOMICAL)	6 Bit Character String	3
X TILT	32 Bit Floating Point Value	2
Y TILT	32 Bit Floating Point Value	2
Z ORIENTATION	32 Bit Floating Point Value	2
COMPASS HEADING	32 Bit Floating Point Value	2
GPS HEADING	32 Bit Floating Point Value	2
GPS SPEED OVER GROUND	32 Bit Floating Point Value	2
GPS LOCATION (Longitude)	32 Bit Floating Point Value	2
GPS LOCATION (Latitude)	32 Bit Floating Point Value	2
GPS LOCATION (Height)	32 Bit Floating Point Value	2
GPS STATUS (Fix/no. of satellites)	4 Bit Character String	2
TIME (Date)	16 Byte Character String	8
TIME (Time)	16 Byte Character String	8
SUPPLY VOLTAGE	32 Bit Floating Point Value	2
STATUS	32 Bit Unsigned Integer (UINT)	2
WINDSTAT	32 Bit Unsigned Integer (UINT)	2
USERINFO	16 Bit Character String	8

- All registers are 16-bit. The first byte is high order and the second is low.
- Each measurement is comprised of two 16bit registers.
 - For each register, the order of the two data bytes comprising the 16-bit register's value shall be: High Byte/Low Byte.
 - For each 32-bit data type (whether floating point or integer), the order of the first pair of bytes and last pair of bytes shall be: High Word/Low Word.
- Registers start at address 40001.
- Holding registers are available in the order of the MaxiMet data string (which can be established by the REPORT command in non-Modbus Gill ASCII Mode).
- If measurements cannot be computed (i.e. a blank field in Gill mode output string/conditions for reporting Wind Chill/ Heat Index are not being met), their Holding Register contents shall be set to the Maximum Positive value (0x7FFFFFFF for 32-bit format data (both floating point and integer), and as 0x7FFF for 16-bit format data).

NOTE: For alternative Modbus 32-bit integer or 16-bit integer systems, contact Gill Instruments.

GMX100 Modbus Default Setting Register Table.

Register Type	Register Numbers	Value Type
4ch string	40001-02	Node
32bit float	40003-04	Precipitation Total
32bit float	40005-06	Precipitation Intensity
16ch string	40007-14	Date
16ch string	40015-22	Time
32bit float	40023-24	Supply Voltage
32bit UINT	40025-26	Status

GMX101 Modbus Default Setting Register Table

Register Type	Register Numbers	Value Type
4ch string	40001-02	Node
32bit float	40003-04	Solar Radiation
32bit float	40005-06	Solar Hours
16ch string	40007-14	Date
16ch string	40015-22	Time
32bit float	40023-24	Supply Voltage
32bit UINT	40025-26	Status

GMX200 Modbus Default Setting Register Table.

Register Type	Register Numbers	Value Type
4ch string	40001-02	Node
32bit float	40003-04	Direction
32bit float	40005-06	Speed
32bit float	40007-08	CDIR
16ch string	40009-16	Date
16ch string	40017-24	Time
32bit float	40025-26	Supply Voltage
32bit UINT	40027-28	Status

GMX200 with GPS Modbus Default Setting Register Table

Register Type	Register Numbers	Value Type
4ch string	40001-02	Node
32bit float	40003-04	Direction
32bit float	40005-06	Speed
32bit float	40007-08	Corrected Direction
32 bit float	40009-10	Corrected Speed
32 bit float	40011-12	GPS Latitude
32 bit float	40013-14	GPS Longitude
32 bit float	40015-16	GPS Height
16ch string	40017-24	Date
16ch string	40025-32	Time
32bit float	40033-34	Supply Voltage
32bit UINT	40035-36	Status

GMX240 Modbus Default Setting Register Table

Register Type	Register Numbers	Value Type
4ch string	40001-02	Node
32bit float	40003-04	Direction
32bit float	40005-06	Speed
32bit float	40007-08	Corrected Direction
32bit float	40009-10	Total Precipitation
32bit float	40011-12	Precipitation Intensity
16ch string	40013-20	Date
16ch string	40021-28	Time
32 bit float	40029-30	Supply Voltage
32bit UINT	40031-32	Status

GMX240 with GPS Modbus Default Setting Register Table

Register Type	Register Numbers	Value Type
4ch string	40001-02	Node
32bit float	40003-04	Direction
32bit float	40005-06	Speed
32bit float	40007-08	Corrected Direction
32bit float	40009-10	Corrected Speed
32bit float	40011-12	Total Precipitation
32bit float	40013-14	Precipitation Intensity
32bit float	40015-16	GPS Latitude
32bit float	40017-18	GPS Longitude
32bit float	40019-20	GPS Height
16ch string	40021-28	Date
16ch string	40029-36	Time
32bit float	40037-38	Supply Voltage
32bit UINT	40039-40	Status

GMX300 Modbus Default Setting Register Table:

Register Type	Register Numbers	Value Type
4ch string	40001-02	Node
32bit float	40003-04	Pressure
32bit float	40005-06	Relative Humidity
32bit float	40007-08	Temperature
32bit float	40009-10	Dew point
16ch string	40011-18	Date
16ch string	40019-26	Time
32bit float	40027-28	Supply Voltage
32bit UINT	40029-30	Status

GMX301 MODBUS Default Setting Register Table:

Register Type	Register Numbers	Value Type
4ch string	40001-02	Node
32bit float	40003-04	Pressure
32bit float	40005-06	Relative Humidity
32bit float	40007-08	Temperature
32bit float	40009-10	Dew point
32bit float	40011-12	Solar Radiation
16ch string	40013-20	Date
16ch string	40021-28	Time
32bit float	40029-30	Supply Voltage
32bit UINT	40031-32	Status

GMX400 Modbus Default Setting Register Table:

Register Type	Register Numbers	Value Type
4ch string	40001-02	Node
32bit float	40003-04	Pressure
32bit float	40005-06	Relative Humidity
32bit float	40007-08	Temperature
32bit float	40009-10	Dew point
32bit float	40011-12	Precipitation Total
32bit float	40013-14	Precipitation Intensity
16ch string	40015-22	Date
16ch string	40023-30	Time
32bit float	40031-32	Supply Voltage
32bit UINT	40033-34	Status

GMX500 Modbus Default Setting Register Table:

Register Type	Register Numbers	Value Type
4ch string	40001-02	Node
32bit float	40003-04	Direction
32bit float	40005-06	Speed
32bit float	40007-08	Corrected Direction
32bit float	40009-10	Pressure
32bit float	40011-12	Relative Humidity
32bit float	40013-14	Temperature
32bit float	40015-16	Dew point
16ch string	40017-24	Date
16ch string	40025-32	Time
32bit float	40033-34	Supply Voltage
32bit UINT	40035-36	Status

GMX500 with GPS Modbus Default Setting Register Table:

Register Type	Register Numbers	Value Type
4ch string	40001-02	Node
32bit float	40003-04	Direction
32bit float	40005-06	Speed
32bit float	40007-08	Corrected Direction
32bit float	40009-10	Corrected Speed
32bit float	40011-12	Pressure
32bit float	40013-14	Relative Humidity
32bit float	40015-16	Temperature
32bit float	40017-18	Dew point
32bit float	40019-20	GPS Latitude
32bit float	40021-22	GPS longitude
32bit float	40023-24	GPS Height
16ch string	40025-32	Date
16ch string	40033-40	Time
32bit float	40041-42	Supply Voltage
32bit UINT	40043-44	Status

GMX501 Modbus Default Setting Register Table:

Register Type	Register Numbers	Value Type
4ch string	40001-02	Node
32bit float	40003-04	Direction
32bit float	40005-06	Speed
32bit float	40007-08	Corrected Direction
32bit float	40009-10	Pressure
32bit float	40011-12	Relative Humidity
32bit float	40013-14	Temperature
32bit float	40015-16	Dew point
32bit float	40017-18	Solar Radiation
16ch string	40019-26	Date
16ch string	40027-32	Time
32bit float	40033-34	Supply Voltage
32bit UINT	40035-36	Status

GMX501 with GPS Modbus Default Setting Register Table:

Register Type	Register Numbers	Value Type
4ch string	40001-02	Node
32bit float	40003-04	Direction
32bit float	40005-06	Speed
32bit float	40007-08	Corrected Direction
32bit float	40009-10	Corrected Speed
32bit float	40011-12	Pressure
32bit float	40013-14	Relative Humidity
32bit float	40015-16	Temperature
32bit float	40017-18	Dew point
32bit float	40019-20	Solar Radiation
32 bit float	40021-22	GPS Latitude
32 bit float	40023-24	GPS longitude
32 bit float	40025-26	GPS Height
16ch string	40027-34	Date
16ch string	40035-42	Time
32bit float	40043-44	Supply Voltage
32bit UINT	40045-46	Status

GMX531, GMX541 and GMX551 Modbus Default Setting Register Table

Register Type	Register Numbers	Value Type
4ch string	40001-02	Node
32bit float	40003-04	Direction
32bit float	40005-06	Speed
32bit float	40007-08	Corrected Direction
32bit float	40009-10	Pressure
32bit float	40011-12	Relative Humidity
32bit float	40013-14	Temperature
32bit float	40015-16	Dewpoint
32bit float	40017-18	Total Precipitation
32bit float	40019-20	Precipitation Intensity
32bit float	40021-22	Solar Radiation
16ch string	40023-30	Date
16ch string	40031-38	Time
32bit float	40039-40	Supply Voltage
32bit UINT	40041-42	Status

GMX531, GMX541 and GMX551 with GPS Modbus Default Setting Register Table

Register Type	Register Numbers	Value Type
4ch string	40001-02	Node
32bit float	40003-04	Direction
32bit float	40005-06	Speed
32bit float	40007-08	Corrected Direction
32bit float	40009-10	Corrected Speed
32bit float	40011-12	Pressure
32bit float	40013-14	Relative Humidity
32bit float	40015-16	Temperature
32bit float	40017-18	Dewpoint
32bit float	40019-20	Total Precipitation
32bit float	40021-22	Precipitation Intensity
32bit float	40023-24	Solar Radiation
32bit float	40025-26	GPS Latitude
32bit float	40027-28	GPS Longitude
32bit float	40029-30	GPS Height
16ch string	40031-38	Date
16ch string	40039-46	Time
32bit float	40047-48	Supply Voltage
32bit UINT	40049-50	Status

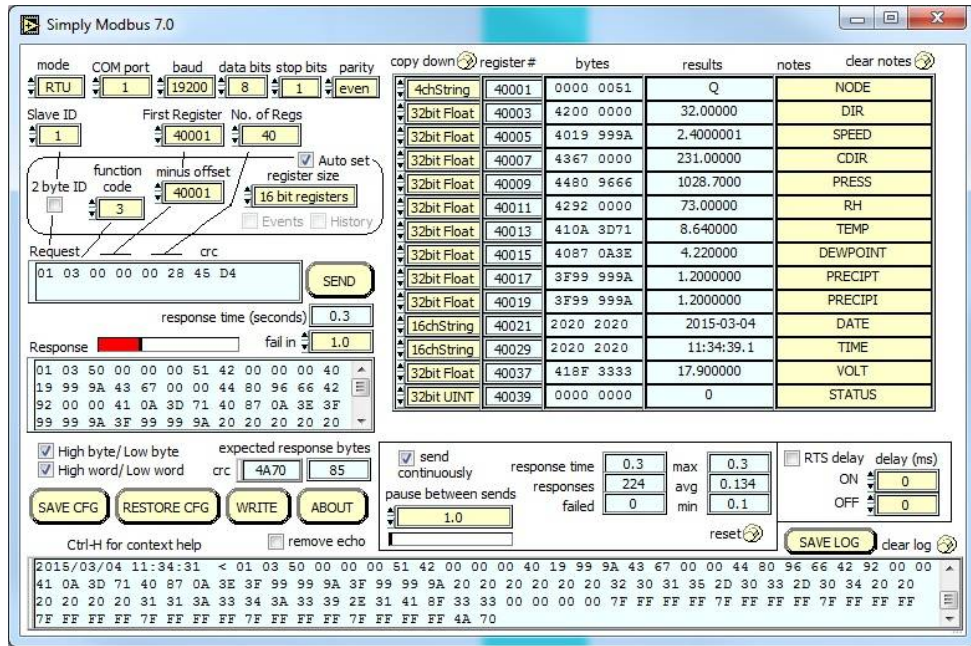
GMX550 and GMX600 Modbus Default Setting Register Table

Register Type	Register Numbers	Value Type
4ch string	40001-02	Node
32bit float	40003-04	Direction
32bit float	40005-06	Speed
32bit float	40007-08	Corrected Direction
32bit float	40009-10	Pressure
32bit float	40011-12	Relative Humidity
32bit float	40013-14	Temperature
32bit float	40015-16	Dewpoint
32bit float	40017-18	Total Precipitation
32bit float	40019-20	Precipitation Intensity
16ch string	40021-28	Date
16ch string	40029-36	Time
32bit float	40037-38	Supply Voltage
32bit UINT	40039-40	Status

GMX550 and GMX600 with GPS Modbus Default Setting Register Table

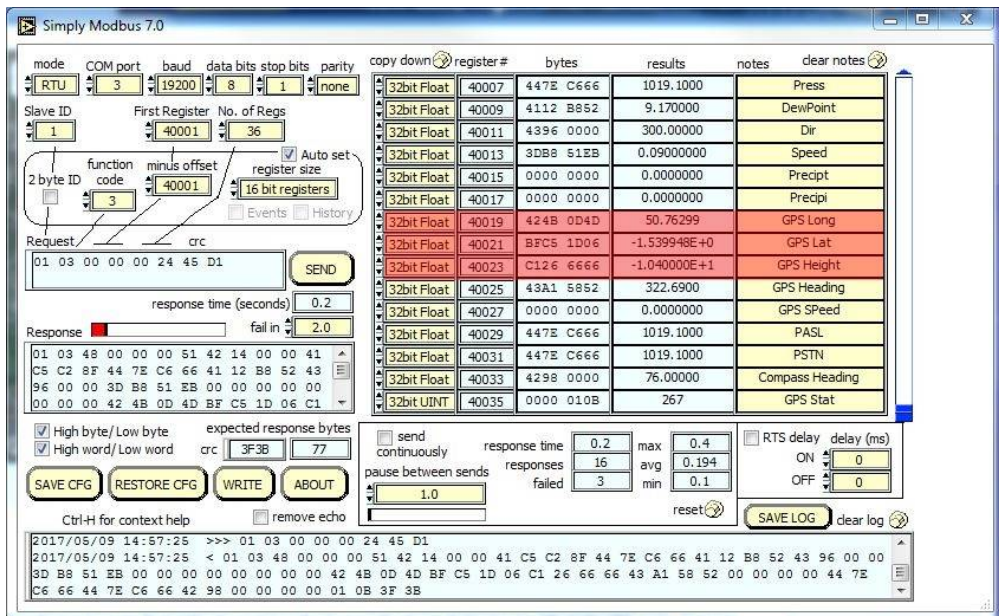
Register Type	Register Numbers	Value Type
4ch string	40001-02	Node
32bit float	40003-04	Direction
32bit float	40005-06	Speed
32bit float	40007-08	Corrected Direction
32bit float	40009-10	Corrected Speed
32bit float	40011-12	Pressure
32bit float	40013-14	Relative Humidity
32bit float	40015-16	Temperature
32bit float	40017-18	Dewpoint
32bit float	40019-20	Total Precipitation
32bit float	40021-22	Precipitation Intensity
32bit float	40023-24	GPS Latitude
32bit float	40025-26	GPS Longitude
32bit float	40027-28	GPS Height
16ch string	40029-36	Date
16ch string	40037-44	Time
32bit float	40045-46	Supply Voltage
32bit UINT	40047-48	Status

Simply Modbus program reading example, MaxiMet GMX550 or GMX600 default output Modbus data as follows:



Simply Modbus program reading example, MaxiMet GMX550 or GMX600 with GPS default output Modbus data as follows:

Note Register data 40001 to 40006 will be as per the above example.



6.6. Configuring MaxiMet for NMEA 0183 Output

1. Connect a default set MaxiMet to a PC as described in para 4.6.
2. Open MetSet as described on para 6.2 and click on the Reporting page.
3. Change the Report Format drop down menu from USERDEF to NMEA.
4. On the Comms page select the required Interface, generally RS422.
5. On the Comms page select the required Baud Rate, normally 4800 baud (or sometimes 9600 baud).
6. Click on Save Settings to Device.

Note: Wind Speed units are fixed at Knots (N) irrespective of how wind reading units have been set up on the MetSet Wind page. The same applies for GPS settings - readings are always in knots in NMEA mode.

6.6.1 GMX100 NMEA Output String

"\$WIXDR,Y,000.000,M,PRECIP*77<CR><LF>"

Where:-

\$WIXDR Wind Instrument Transducer
 Y Type of Sensor (Precipitation)
 000.000 Millimetres per hour of Precipitation
 M Precipitation Units of Measure (Millimetres)
 PRECIP Name of Precipitation Sensor
 *77 Hex CheckSum

<CR> is a Carriage return character (ASCII hex value d)

<LF> is a Line Feed Character (ASCII hex value a)

Checksum, the 2 digit Hex Checksum sum figure is calculated from the Exclusive OR of the bytes between (and not including) the \$ and * characters.

Immediately followed by:

\$PGILT,A,+XX,D,+YY,D,+Z,TILT*HH<CR><LF>

Where: \$P Start of sentence and proprietary sentence identifier
 GIL Gill Instruments recognised NMEA manufacturer mnemonic
 T Indicates TILT information
 A Type of Sensor (Angular Displacement)
 +XX +X Tilt indicates unit is tipping towards east "XX" degrees
Or -XX -X Tilt indicates unit is tipping towards west "XX" degrees
 D Units (Degrees)
 +YY +Y Tilt indicates unit is tipping towards north "YY" degrees
Or -YY -Y Tilt indicates unit is tipping towards south "YY" degrees
 D Units (Degrees)
 +Z Z-Orientation "+1" shall be reported if the unit is installed upright, or "-1" if facing downwards
 TILT Name of the Sensor
 *HH Checksum
 <CR><LF> End of message termination

Example GMX100 data string.

\$WIXDR,Y,000.000,M,PRECIP*77

\$PGILT,A,+00,D,+00,D,+1,TILT*34

Repeated every second (1Hz output).

6.6.2 GMX101 NMEA Output String

\$WIXDR,Z,0000,W,SOLAR*01<CR><LF>

Where: \$WIXDR	Wind Instrument Transducer
Z	Type of Sensor (Solar)
0000	Solar Radiation reading in W/M ²
W	Solar Units of Measure (Total W/M ²)
SOLAR	Name of Solar Sensor
*01	Hex Checksum

<CR> is a Carriage Return Character (ASCII hex value d)

<LF> is a Line Feed Character (ASCII hex value a)

Checksum, the 2 digit Hex Checksum sum figure, is calculated from the Exclusive OR of the bytes between (and not including) the \$ and * characters.

Immediately followed by:

\$PGILT,A,+XX,D,+YY,D,+Z,TILT*HH<CR><LF>

Where: \$P	Start of sentence and proprietary sentence identifier
GIL	Gill Instruments recognised NMEA manufacturer mnemonic
T	Indicates TILT information
A	Type of Sensor (Angular Displacement)
+XX	+X Tilt indicates unit is tipping towards east "XX" degrees
Or -XX	-X Tilt indicates unit is tipping towards west "XX" degrees
D	Units (Degrees)
+YY	+Y Tilt indicates unit is tipping towards north "YY" degrees
Or -YY	-Y Tilt indicates unit is tipping towards south "YY" degrees
D	Units (Degrees)
+Z	Z-Orientation "+1" shall be reported if the unit is installed upright, or "-1" if facing downwards
TILT	Name of the Sensor
*HH	Checksum
<CR><LF>	End of message termination

Example GMX101 NMEA data string, repeated every second (1Hz output):

```
$WIXDR,Z,0002,W,SOLAR*1C
$PGILT,A,+00,D,+00,D,+1,TILT*34
```

6.6.3 GMX200 NMEA Output String

\$WIMWV,049,R,000.03,N,A*03<CR><LF>.

Where:-

\$WIMWV Wind Instrument Mean Wind direction and Velocity.
 049 Wind Direction.
 R Relative Wind measurement, wind speed and/or direction information, reported with respect to the MaxiMet North marker.
 000.03 Wind Speed.
 N Knots (NMEA output fixed to Knots measurement only).
 A Acceptable measurement (V is a void fail measurement).
 03 Hex Check Sum.

Immediately followed by:-

\$WIMWV,049,T,,N,A*18<CR><LF>.

\$WIMWV Wind Instrument Mean Wind direction and Velocity.
 049 Wind Direction.
 T True Wind measurement, wind speed and/or direction information, corrected by a compass and GPS (option) to give accurate data regardless of where north marker is aligned.
 ,, Wind Speed only available if a GPS option is fitted (format e.g. 001.05).
 N Knots (NMEA output fixed to Knots measurement only).
 A Acceptable measurement (V is a void fail measurement).
 18 Hex Check Sum.

Immediately followed by GPS data if option available.

\$GPGGA,095010.000,5045.8065,N,00132.4003,W,1,06,1.5,-3.0,M,47.8,M,,0000*6C<CR><LF>.

Where

\$GPGGA NMEA GPS Protocol Header
 095010.000 UTC Time, hhmmss.sss
 5045.8065 Latitude ddm. mmmm
 N North/South Indicator
 00132.4003 Longitude ddm. mmmm
 W East/West indicator
 1 Position Fix Indicator (See below)
 06 Satellites being used (Range 0-12)
 1.5 Horizontal Dilution of Precision
 -3.0 Mean Sea Level (NSL) Altitude in Metres
 M MSL Units, Metres
 47.8,M,, Geoid Separation and Units in Metres
 0000 Differential GPS Reference Station ID.
 *6C Checksum

Position Fix Indicator:

Value	Description
0	Fix not available or invalid
1	GPS SPS Mode, fix valid
2	Differential GPS, SPS Mode, fix valid

3-5	Not supported
6	Dead Reckoning Mode, fix valid
Immediately followed by:	
\$PGILT,A,+XX,D,+YY,D,+Z,TILT*HH<CR><LF>	
Where: \$P	Start of sentence and proprietary sentence identifier
GIL	Gill Instruments recognised NMEA manufacturer mnemonic
T	Indicates TILT information
A	Type of Sensor (Angular Displacement)
+XX	+X-Tilt indicates unit is tipping towards east "XX" degrees
Or -XX	-X Tilt indicates unit is tipping towards west "XX" degrees
D	Units (Degrees)
+YY	+Y Tilt indicates unit is tipping towards north "YY" degrees
Or -YY	-Y Tilt indicates unit is tipping towards south "YY" degrees
D	Units (Degrees)
+Z	Z-Orientation "+1" shall be reported if the unit is installed upright, or "-1" if facing downwards
TILT	Name of the Sensor
*HH	Checksum
<CR><LF>	End of message termination

Example GMX200 NMEA Data String.

```
$WIMWV,230,R,000.01,N,A*0D
$WIMWV,048,T,000.79,N,A*09
$GPGGA,095011.000,5045.8066,N,00132.4000,W,1,06,1.5,-3.0,M,47.8,M,,0000*6D (GPS unit)
$PGILT,A,+00,D,+01,D,+1,TILT*35
```

Repeated every second (1Hz output).

6.6.4 GMX240 NMEA Output String

```
$WIMWV,049,R,000.03,N,A*03<CR><LF
```

Where: \$WIMWV	Wind Instrument Mean Wind Direction and Velocity
049	Wind Direction
R	Relative Wind measurement, Wind Speed and/or Direction information, reported with respect to the MaxiMet north marker
000.03	Wind Speed
N	Knots (NMEA output fixed to Knots measurement only)
A	Acceptable measurement (V is a void fail measurement)
03	Hex Checksum

<CR> is a Carriage Return Character (ASCII hex value d)

<LF> is a Line Feed Character (ASCII hex value a)

Immediately followed by:

```
$WIMWV,049,T,,N,A*18<CR><LF>
```

Where: \$WIMWV	Wind Instrument Mean Wind Direction and Velocity
049	Wind Direction

T	True Wind measurement, Wind Speed and/or Direction information, corrected by a compass and GPS (option) to give accurate data regardless of where north marker is aligned
,,	Wind Speed only available if a GPS option is fitted
N	Knots (NMEA output fixed to Knots measurement only)
A	Acceptable measurement (V is a void fail measurement)
OC	Hex Checksum
<CR><LF>	End of message termination

Immediately followed by:

\$WIXDR,Y,000.000,M,PRECIP*77<CR><LF>

Where: \$WIXDR	Wind Instrument Transducer
Y	Type of Sensor (Precipitation)
000.000	Millimetres per hour of Precipitation
M	Precipitation Units of Measure (Millimetres)
PRECIP	Name of Precipitation Sensor
*77	Hex Checksum
<CR><LF>	End of message termination

Followed by GPS data if option available:

\$GPGGA,161229.487,3723.2475,N,12158.3416,W,1,07,1.0,9.0,M,,.0000*18<CR><LF>

Where: \$GPGGA	NMEA GPS Protocol Header
161229.487	UTC Time, hhmmss.sss
3723.2475	Latitude ddm. mmmm
N	North/South Indicator
12158.3416	Longitude ddm. mmmm
W	East/West indicator
1	Position Fix Indicator (See below)
07	Satellites being used (Range 0-12)
1.0	Horizontal Dilution of Precision
9.0	Mean Sea Level (NSL) Altitude in metres
M	MSL Units, metres
,,	Geoid Separation and Units in metres
0000	Differential GPS Reference Station ID
*18	Checksum
<CR><LF>	End of message termination

Position Fix Indicator:

Value	Description
0	Fix not available or invalid
1	GPS SPS Mode, fix valid
2	Differential GPS, SPS Mode, fix valid
3-5	Not supported
6	Dead Reckoning Mode, fix valid

Checksum, the 2 digit Hex Checksum sum figure is calculated from the Exclusive OR of the bytes between (and not including) the \$ and * characters.

Immediately followed by:

	\$PGILT,A,+XX,D,+YY,D,+Z,TILT*HH<CR><LF>
	Where: \$P Start of sentence and proprietary sentence identifier
	GIL Gill Instruments recognised NMEA manufacturer mnemonic
	T Indicates TILT information
	A Type of Sensor (Angular Displacement)
	+XX X-Tilt indicates unit is tipping towards east "XX" degrees
Or	-XX X Tilt indicates unit is tipping towards west "XX" degrees
	D Units (Degrees)
	+YY Y-Tilt indicates unit is tipping towards north "YY" degrees
Or	-YY Y-Tilt indicates unit is tipping towards south "YY" degrees
	D Units (Degrees)
	+Z Z-Orientation "+1" shall be reported if the unit is installed upright, or "-1" if facing downwards
	TILT Name of the Sensor
	*HH Checksum
	<CR><LF> End of message termination

Example GMX240 NMEA data string (with GPS option):

```
WIMWV,311,R,000.01,N,A*0F
$WIMWV,341,T,,N,A*13
$WIXDR,Y,000.000,M,PRECIP*77
$GPGGA,000036.064,,,,,0,00,,,M,0.0,M,,0000*51
$PGILT,A,-22,D,+67,D,-1,TILT*35
Repeated every second (1Hz output).
```

6.6.5 GMX300 NMEA Output String

```
$WIXDR,C,+023.9,C,TEMP,P,1.0243,B,PRESS,H,039,P,RH,*01<CR><LF>.
```

Where: -

\$WIXDR Wind Instrument Transducer

C	Type of Sensor (Temperature)
+023.9	Temperature Reading
C	Temperature Reading in Degrees Centigrade
TEMP	Name of Temperature Sensor
P	Type of Sensor (Pressure)
1.0243	Pressure Reading in Bars.
B	Pressure Units of Measure (Bars)
PRESS	Name of Pressure Sensor
H	Type of Sensor (Humidity)
039	Humidity Reading in Percent
P	Humidity Units of Measure (Percent)
RH	Name of Relative Humidity Sensor
*01	Hex CheckSum

<CR> is a Carriage return character (ASCII hex value d)

<LF> is a Line Feed Character (ASCII hex value a)

Checksum, the 2 digit Hex Checksum sum figure is calculated from the Exclusive OR of the bytes between (and not including) the \$ and * characters.

Immediately followed by:

	\$PGILT,A,+XX,D,+YY,D,+Z,TILT*HH<CR><LF>
	Where: \$P Start of sentence and proprietary sentence identifier
	GIL Gill Instruments recognised NMEA manufacturer mnemonic
	T Indicates TILT information
	A Type of Sensor (Angular Displacement)
	+XX X-Tilt indicates unit is tipping towards east "XX" degrees
Or	-XX X Tilt indicates unit is tipping towards west "XX" degrees
	D Units (Degrees)
	+YY Y-Tilt indicates unit is tipping towards north "YY" degrees
Or	-YY Y-Tilt indicates unit is tipping towards south "YY" degrees
	D Units (Degrees)
	+Z Z-Orientation "+1" shall be reported if the unit is installed upright, or "-1" if facing downwards
	TILT Name of the Sensor
	*HH Checksum
	<CR><LF> End of message termination

Example GMX300 NMEA Data String.

```
$WIXDR,C,+023.2,C,TEMP,P,1.0281,B,PRESS,H,037,P,RH,*0A
$PGILT,A,-22,D,+67,D,-1,TILT*35
Repeated every second (1Hz output).
```

6.6.6 GMX301 NMEA Output String

```
$WIXDR,C,+023.9,C,TEMP,P,1.0243,B,PRESS,H,039,P,RH,Z,0000,W,SOLAR*01<CR><LF>.
```

Where: -

\$WIXDR	Wind Instrument Transducer
C	Type of Sensor (Temperature)
+023.9	Temperature Reading
C	Temperature Reading in Degrees Centigrade
TEMP	Name of Temperature Sensor
P	Type of Sensor (Pressure)
1.0243	Pressure Reading in Bars.
B	Pressure Units of Measure (Bars)
PRESS	Name of Pressure Sensor
H	Type of Sensor (Humidity)
039	Humidity Reading in Percent
P	Humidity Units of Measure (Percent)
RH	Name of Relative Humidity Sensor
Z	Type of Sensor (Solar)
0000	Solar Radiation reading in W/M ²
W	Solar Units of Measure (Total W/M ²)
SOLAR	Name of Solar Sensor
*01	Hex CheckSum

<CR> is a Carriage return character (ASCII hex value d)

<LF> is a Line Feed Character (ASCII hex value a)

Checksum, the 2 digit Hex Checksum sum figure is calculated from the Exclusive OR of the bytes between (and not including) the \$ and * characters.

Immediately followed by:

	\$PGILT,A,+XX,D,+YY,D,+Z,TILT*HH<CR><LF>
	Where: \$P Start of sentence and proprietary sentence identifier
	GIL Gill Instruments recognised NMEA manufacturer mnemonic
	T Indicates TILT information
	A Type of Sensor (Angular Displacement)
	+XX X-Tilt indicates unit is tipping towards east "XX" degrees
Or	-XX X Tilt indicates unit is tipping towards west "XX" degrees
	D Units (Degrees)
	+YY Y-Tilt indicates unit is tipping towards north "YY" degrees
Or	-YY Y-Tilt indicates unit is tipping towards south "YY" degrees
	D Units (Degrees)
	+Z Z-Orientation "+1" shall be reported if the unit is installed upright, or "-1" if facing downwards
	TILT Name of the Sensor
	*HH Checksum
	<CR><LF> End of message termination

Example GMX301 NMEA Data String.

```
$WIXDR,C,+023.3,C,TEMP,P,0.9995,B,PRESS,H,040,P,RH,Z,2155,W,SOLAR*67
```

```
$PGILT,A,+00,D,+01,D,+1,TILT*35
```

Repeated every second (1Hz output).

6.6.7 GMX400 NMEA Output String

```
$WIXDR,C,+023.9,C,TEMP,P,1.0243,B,PRESS,H,039,P,RH,Y,000.000,M,PRECIP*01<CR><LF>.
```

Where: -

\$WIXDR Wind Instrument Cross Transducer

C	Type of Sensor (Temperature)
+023.9	Temperature Reading
C	Temperature Reading in Degrees Centigrade
TEMP	Name of Temperature Sensor
P	Type of Sensor (Pressure)
1.0243	Pressure Reading in Bars.
B	Pressure Units of Measure (Bars)
PRESS	Name of Pressure Sensor
H	Type of Sensor (Humidity)
039	Humidity Reading in Percent
P	Humidity Units of Measure (Percent)
RH	Name of Relative Humidity Sensor
Y	Type of Sensor (Precipitation)
000.000	Millimetres per hour of Precipitation
M	Precipitation Units of Measure (Millimetres)
PRECIP	Name of Precipitation Sensor
*01	Hex CheckSum

<CR> is a Carriage return character (ASCII hex value d)

<LF> is a Line Feed Character (ASCII hex value a)

Checksum, the 2 digit Hex Checksum sum figure is calculated from the Exclusive OR of the bytes between (and not including) the \$ and * characters.

Immediately followed by:

	\$PGILT,A,+XX,D,+YY,D,+Z,TILT*HH<CR><LF>
	Where: \$P Start of sentence and proprietary sentence identifier
	GIL Gill Instruments recognised NMEA manufacturer mnemonic
	T Indicates TILT information
	A Type of Sensor (Angular Displacement)
	+XX X-Tilt indicates unit is tipping towards east "XX" degrees
Or	-XX X Tilt indicates unit is tipping towards west "XX" degrees
	D Units (Degrees)
	+YY Y-Tilt indicates unit is tipping towards north "YY" degrees
Or	-YY Y-Tilt indicates unit is tipping towards south "YY" degrees
	D Units (Degrees)
	+Z Z-Orientation "+1" shall be reported if the unit is installed upright, or "-1" if facing downwards
	TILT Name of the Sensor
	*HH Checksum
	<CR><LF> End of message termination

Example GMX 400 Data.

\$WIXDR,C,+023.2,C,TEMP,P,1.0281,B,PRESS,H,037,P,RH,Y,000.000,M,PRECIP*0A

\$PGILT,A,-22,D,+67,D,-1,TILT*35

Repeated every second (1Hz output).

6.6.8 GMX500 NMEA Output String

\$WIMWV,049,R,000.03,N,A*03<CR><LF>.

Where:-

\$WIMWV	Wind Instrument Mean Wind direction and Velocity.
049	Wind Direction.
R	Relative Wind measurement, wind speed and/or direction information, reported with respect to the MaxiMet North marker.
000.03	Wind Speed.
N	Knots (NMEA output fixed to Knots measurement only).
A	Acceptable measurement (V is a void fail measurement).
O3	Hex Check Sum.

Immediately followed by:-

\$WIMWV,049,T,,N,A*18<CR><LF>.

Where:-

\$WIMWV	Wind Instrument Mean Wind direction and Velocity.
049	Wind Direction.
T	True Wind measurement, wind speed and/or direction information, corrected by a compass and GPS (option) to give accurate data regardless of where north marker is aligned.
,	Wind Speed only available if a GPS option is fitted.
N	Knots (NMEA output fixed to Knots measurement only).
A	Acceptable measurement (V is a void fail measurement).
18	Hex Check Sum.

Immediately followed by:-

\$WIXDR,C,+023.9,C,TEMP,P,1.0243,B,PRESS,H,039,P,RH,*01<CR><LF>.

Where: -

\$WIXDR Wind Instrument Transducer

C	Type of Sensor (Temperature)
+023.9	Temperature Reading
C	Temperature Reading in Degrees Centigrade
TEMP	Name of Temperature Sensor
P	Type of Sensor (Pressure)
1.0243	Pressure Reading in Bars.
B	Pressure Units of Measure (Bars)
PRESS	Name of Pressure Sensor
H	Type of Sensor (Humidity)
039	Humidity Reading in Percent
P	Humidity Units of Measure (Percent)
RH	Name of Relative Humidity Sensor
*01	Hex CheckSum

Followed by GPS data if option available.

\$GPGGA,161229.487,3723.2475,N,12158.3416,W,1,07,1.0,9.0,M,, , ,0000*18<CR><LF>.

Where

\$GPGGA NMEA GPS Protocol Header

161229.487	UTC Time, hhmmss.sss
3723.2475	Latitude ddm.mmmm
N	North/South Indicator
12158.3416	Longitude ddm.mmmm
W	East/West indicator
1	Position Fix Indicator (See below)
07	Satellites being used (Range 0-12)
1.0	Horizontal Dilution of Precision
9.0	Mean Sea Level (NSL) Altitude in Metres

M	MSL Units, Metres
, , , ,	Geoid Separation and Units in Metres
0000	Differential GPS Reference Station ID.
*18	Checksum

<CR> is a Carriage return character (ASCII hex value d)

<LF> is a Line Feed Character (ASCII hex value a)

Checksum, the 2 digit Hex Checksum sum figure is calculated from the Exclusive OR of the bytes between (and not including) the \$ and * characters.

Immediately followed by:

\$PGILT,A,+XX,D,+YY,D,+Z,TILT*HH<CR><LF>

Where: \$P Start of sentence and proprietary sentence identifier

GIL Gill Instruments recognised NMEA manufacturer mnemonic

T Indicates TILT information

A Type of Sensor (Angular Displacement)

+XX X-Tilt indicates unit is tipping towards east "XX" degrees

Or -XX X Tilt indicates unit is tipping towards west "XX" degrees

D Units (Degrees)

+YY Y-Tilt indicates unit is tipping towards north "YY" degrees

Or -YY Y-Tilt indicates unit is tipping towards south "YY" degrees

D Units (Degrees)

+Z Z-Orientation "+1" shall be reported if the unit is installed upright, or "-1" if facing downwards

TILT Name of the Sensor

*HH Checksum

<CR><LF> End of message termination

Example GMX500 NMEA Data String.

\$WIMWV,275,R,000.01,N,A*0C

\$WIMWV,180,T,000.11,N,A*02

\$WIXDR,C,+023.1,C,TEMP,P,0.9989,B,PRESS,H,040,P,RH*25

\$GPGGA,113342.000,5045.7837,N,00132.4127,W,1,06,1.3,-10.2,M,47.8,M,,0000*56 (GPS option unit)

\$PGILT,A,+00,D,+01,D,+1,TILT*35

Repeated every second (1Hz output).

6.6.9 GMX501 NMEA output String

\$WIMWV,049,R,000.03,N,A*03<CR><LF>. Where:-

\$WIMWV Wind Instrument Mean Wind direction and Velocity.

049 Wind Direction.

R Relative Wind measurement, wind speed and/or direction information, reported with respect to the MaxiMet North marker.

000.03 Wind Speed.

N Knots (NMEA output fixed to Knots measurement only).

A Acceptable measurement (V is a void fail measurement).

03 Hex Check Sum.

Immediately followed by:-

\$WIMWV,185,T,000.19,N,A*0F
<CR><LF>.

\$WIMWV	Wind Instrument Mean Wind direction and Velocity.
185	Wind Direction.
T	True Wind measurement, wind speed and/or direction information, corrected by a compass and GPS (option) to give accurate data regardless of where north marker is aligned.
000.19	Wind Speed only available if a GPS option is fitted (., if no GPS).
N	Knots (NMEA output fixed to Knots measurement only).
A	Acceptable measurement (V is a void fail measurement).
0F	Hex Check Sum.

Immediately followed by:-

\$WIXDR,C,+023.9,C,TEMP,P,1.0243,B,PRESS,H,039,P,RH,Z,0000,W,SOLAR*01<CR><LF>.

Where: -

\$WIXDR Wind Instrument Cross Transducer

C	Type of Sensor (Temperature)
+023.9	Temperature Reading
C	Temperature Reading in Degrees Centigrade
TEMP	Name of Temperature Sensor
P	Type of Sensor (Pressure)
1.0243	Pressure Reading in Bars.
B	Pressure Units of Measure (Bars)
PRESS	Name of Pressure Sensor
H	Type of Sensor (Humidity)
039	Humidity Reading in Percent
P	Humidity Units of Measure (Percent)
RH	Name of Relative Humidity Sensor
Z	Type of Sensor (Solar)
0000	Solar Radiation reading in W/M ²
W	Solar Units of Measure (Total W/M ²)
SOLAR	Name of Solar Sensor
*01	Hex CheckSum

Followed by GPS data if option available.

\$GPGGA,080552.000,5045.7752,N,00132.3963,W,1,08,1.0,10.2,M,47.8,M,,0000*79<CR><LF>.

Where

\$GPGGA NMEA GPS Protocol Header

080552.000	UTC Time, hhmmss.sss
5045.7752	Latitude ddmm.mmmm
N	North/South Indicator
00132.3963	Longitude ddmm.mmmm

W	East/West indicator
1	Position Fix Indicator (See below)
08	Satellites being used (Range 0-12)
1.0	Horizontal Dilution of Precision
10.2	Mean Sea Level (NSL) Altitude in Metres
M	MSL Units, Metres
47.8	Geoid Separation in Metres
M	Geoid Units, Metres.
„	No reading.
0000	Differential GPS Reference Station ID.
*79	Checksum

<CR> is a Carriage return character (ASCII hex value d)

<LF> is a Line Feed Character (ASCII hex value a)

Checksum, the 2 digit Hex Checksum sum figure is calculated from the Exclusive OR of the bytes between (and not including) the \$ and * characters.

Immediately followed by:

\$PGILT,A,+XX,D,+YY,D,+Z,TILT*HH<CR><LF>

Where: \$P Start of sentence and proprietary sentence identifier

GIL Gill Instruments recognised NMEA manufacturer mnemonic

T Indicates TILT information

A Type of Sensor (Angular Displacement)

+XX X-Tilt indicates unit is tipping towards east "XX" degrees

Or -XX X Tilt indicates unit is tipping towards west "XX" degrees

D Units (Degrees)

+YY Y-Tilt indicates unit is tipping towards north "YY" degrees

Or -YY Y-Tilt indicates unit is tipping towards south "YY" degrees

D Units (Degrees)

+Z Z-Orientation "+1" shall be reported if the unit is installed upright, or "-1" if facing downwards

TILT Name of the Sensor

*HH Checksum

<CR><LF> End of message termination

Example GMX501 Data.

\$WIMWV,069,R,004.06,N,A*00

\$WIMWV,122,T,,N,A*14

\$WIXDR,C,+023.2,C,TEMP,P,1.0281,B,PRESS,H,037,P,RH,Z,0000,W,SOLAR*0A

\$GPGGA,080552.000,5045.7752,N,00132.3963,W,1,08,1.0,10.2,M,47.8,M,,0000*79<CR><LF> (GPS unit).

\$PGILT,A,-22,D,+67,D,-1,TILT*35

Repeated every second (1Hz output).

6.6.10 GMX531, GMX541 and GMX551 NMEA Output String

\$WIMWV,049,R,000.03,N,A*03<CR><LF>

Where: \$WIMWV Wind Instrument Mean Wind Direction and Velocity
 049 Wind Direction
 R Relative Wind measurement, Wind Speed and/or Direction information, reported with respect to the MaxiMet north marker
 000.03 Wind Speed
 N Knots (NMEA output fixed to Knots measurement only)
 A Acceptable measurement (V is a void fail measurement)
 03 Hex Checksum
 <CR> is a Carriage Return Character (ASCII hex value d)
 <LF> is a Line Feed Character (ASCII hex value a)

Immediately followed by:

\$WIMWV,049,T,,N,A*18<CR><LF>

Where: \$WIMWV Wind Instrument Mean Wind Direction and Velocity
 049 Wind Direction
 T True Wind measurement, Wind Speed and/or Direction information, corrected by a compass and GPS (option) to give accurate data regardless of where north marker is aligned
 ,, Wind Speed only available if a GPS option is fitted
 N Knots (NMEA output fixed to Knots measurement only)
 A Acceptable measurement (V is a void fail measurement)
 0C Hex Checksum
 <CR><LF> End of message termination

Immediately followed by:

\$WIXDR,C,+023.9,C,TEMP,P,1.0243,B,PRESS,H,039,P,RH,Y,000.000,M,PRECIP,Z,0000,W,SOLAR*01<CR><LF>

Where: \$WIXDR Wind Instrument Transducer
 C Type of Sensor (Temperature)
 +023.9 Temperature Reading
 C Temperature Reading in Degrees Centigrade
 TEMP Name of Temperature Sensor
 P Type of Sensor (Pressure)
 1.0243 Pressure Reading in Bars
 B Pressure Units of Measure (Bars)
 PRESS Name of Pressure Sensor
 H Type of Sensor (Humidity)
 039 Humidity Reading in Percent
 P Humidity Units of Measure (Percent)
 RH Name of Relative Humidity Sensor
 Y Type of Sensor (Precipitation)
 000.000 Millimetres per hour of Precipitation
 M Precipitation Units of Measure (Millimetres)
 PRECIP Name of Precipitation Sensor
 Z Type of Sensor (Solar)

0000 Solar Radiation reading in W/M²
 W Solar Units of Measure (Total W/M²)
 SOLAR Name of Solar Sensor
 01 Hex Checksum

<CR><LF> End of message termination

Followed by GPS data if option available:

\$GPGGA,161229.487,3723.2475,N,12158.3416,W,1,07,1.0,9.0,M,, , ,0000*18<CR><LF>

Where: \$GPGGA NMEA GPS Protocol Header
 161229.487 UTC Time, hhmmss.sss
 3723.2475 Latitude ddm.mmmm
 N North/South Indicator
 12158.3416 Longitude ddm.mmmm
 W East/West indicator
 1 Position Fix Indicator (See below)
 07 Satellites being used (Range 0-12)
 1.0 Horizontal Dilution of Precision
 9.0 Mean Sea Level (NSL) Altitude in metres
 M MSL Units, metres
 , , Geoid Separation and Units in metres
 0000 Differential GPS Reference Station ID
 *18 Checksum
 <CR><LF> End of message termination

Position Fix Indicator:

Value	Description
0	Fix not available or invalid
1	GPS SPS Mode, fix valid
2	Differential GPS, SPS Mode, fix valid
3-5	Not supported
6	Dead Reckoning Mode, fix valid

Checksum, the 2 digit Hex Checksum sum figure is calculated from the Exclusive OR of the bytes between (and not including) the \$ and * characters.

Followed by the Tilt Output:-

\$PGILT,A,+XX,D,+YY,D,+Z,TILT*HH<CR><LF>

Where: \$P Start of sentence and proprietary sentence identifier
 GIL Gill Instruments recognised NMEA manufacturer mnemonic
 T Indicates TILT information
 A Type of Sensor (Angular Displacement)
 +XX X-Tilt indicates unit is tipping towards east "XX" degrees
 Or -XX X Tilt indicates unit is tipping towards west "XX" degrees
 D Units (Degrees)
 +YY Y-Tilt indicates unit is tipping towards north "YY" degrees

Or	-YY	Y-Tilt indicates unit is tipping towards south "YY" degrees
	D	Units (Degrees)
	+Z	Z-Orientation "+1" shall be reported if the unit is installed upright, or "-1" if facing downwards
	TILT	Name of the Sensor
	*HH	Checksum
	<CR><LF>	End of message termination

Example GMX531, GMX541 and GMX551 data string:

```
$WIMWV,069,R,004.06,N,A*00
$WIMWV,122,T,,N,A*14
$WIXDR,C,+023.9,C,TEMP,P,1.0243,B,PRESS,H,039,P,RH,Y,000.000,M,PRECIP,Z,0000,W,SOLAR*01
$GPGGA,075613.000,5045.7954,N,00132.3938,W,1,07,1.2,21.5,M,47.8,M,,0000*7B (GPS unit)
$PGILT,A,+00,D,+00,D,+1,TILT*34
```

Followed 1 second later by:

```
$WIMWV,238,R,000.46,N,A*06
$WIMWV,303,T,,N,A*15
$WIXDR,C,+023.9,C,TEMP,P,1.0243,B,PRESS,H,039,P,RH,Y,000.000,M,PRECIP,Z,0000,W,SOLAR*01
$GPGGA,075613.000,5045.7954,N,00132.3938,W,1,07,1.2,21.5,M,47.8,M,,0000*7B
$PGILT,A,+00,D,+00,D,+1,TILT*34
```

Repeated every second (1Hz output).

6.6.11 GMX550 and GMX600 NMEA Output String

```
$WIMWV,049,R,000.03,N,A*03<CR><LF>
```

Where: \$WIMWV	Wind Instrument Mean Wind Direction and Velocity
049	Wind Direction
R	Relative Wind measurement, Wind Speed and/or Direction information, reported with respect to the MaxiMet north marker
000.03	Wind Speed
N	Knots (NMEA output fixed to Knots measurement only)
A	Acceptable measurement (V is a void fail measurement)
O3	Hex Checksum

<CR> is a Carriage Return Character (ASCII hex value d)

<LF> is a Line Feed Character (ASCII hex value a)

Immediately followed by:

```
$WIMWV,049,T,,N,A*18<CR><LF>
```

Where: \$WIMWV	Wind Instrument Mean Wind Direction and Velocity
049	Wind Direction
T	True Wind measurement, Wind Speed and/or Direction information, corrected by a compass and GPS (option) to give accurate data regardless of where north marker is aligned
,	Wind Speed only available if a GPS option is fitted
N	Knots (NMEA output fixed to Knots measurement only)

A	Acceptable measurement (V is a void fail measurement)
OC	Hex Checksum
<CR><LF>	End of message termination

Immediately followed by:

```
$WIXDR,C,+023.9,C,TEMP,P,1.0243,B,PRESS,H,039,P,RH,Y,000.000,M,PRECIP*01<CR><LF>
```

Where: \$WIXDR	Wind Instrument Transducer
C	Type of Sensor (Temperature)
+023.9	Temperature Reading
C	Temperature Reading in Degrees Centigrade
TEMP	Name of Temperature Sensor
P	Type of Sensor (Pressure)
1.0243	Pressure Reading in Bars
B	Pressure Units of Measure (Bars)
PRESS	Name of Pressure Sensor
H	Type of Sensor (Humidity)
039	Humidity Reading in Percent
P	Humidity Units of Measure (Percent)
RH	Name of Relative Humidity Sensor
Y	Type of Sensor (Precipitation)
000.000	Millimetres per hour of Precipitation
M	Precipitation Units of Measure (Millimetres)
PRECIP	Name of Precipitation Sensor
*01	Hex Checksum
<CR><LF>	End of message termination

Followed by GPS data if option available:

```
$GPGGA,161229.487,3723.2475,N,12158.3416,W,1,07,1.0,9.0,M,, , ,0000*18<CR><LF>
```

Where: \$GPGGA	NMEA GPS Protocol Header
161229.487	UTC Time, hhmmss.sss
3723.2475	Latitude ddmm.mmmm
N	North/South Indicator
12158.3416	Longitude ddmm.mmmm
W	East/West indicator
1	Position Fix Indicator (See below)
07	Satellites being used (Range 0-12)
1.0	Horizontal Dilution of Precision
9.0	Mean Sea Level (NSL) Altitude in metres
M	MSL Units, metres
, ,	Geoid Separation and Units in metres
0000	Differential GPS Reference Station ID
*18	Checksum
<CR><LF>	End of message termination

Position Fix Indicator:

Value	Description
0	Fix not available or invalid
1	GPS SPS Mode, fix valid
2	Differential GPS, SPS Mode, fix valid
3-5	Not supported
6	Dead Reckoning Mode, fix valid

Checksum, the 2 digit Hex Checksum sum figure is calculated from the Exclusive OR of the bytes between (and not including) the \$ and * characters.

Followed by the Tilt Output:-

```
$PGILT,A,+XX,D,+YY,D,+Z,TILT*HH<CR><LF>
```

Where: \$P	Start of sentence and proprietary sentence identifier
GIL	Gill Instruments recognised NMEA manufacturer mnemonic
T	Indicates TILT information
A	Type of Sensor (Angular Displacement)
+XX	X-Tilt indicates unit is tipping towards east "XX" degrees
Or -XX	X Tilt indicates unit is tipping towards west "XX" degrees
D	Units (Degrees)
+YY	Y-Tilt indicates unit is tipping towards north "YY" degrees
Or -YY	Y-Tilt indicates unit is tipping towards south "YY" degrees
D	Units (Degrees)
+Z	Z-Orientation "+1" shall be reported if the unit is installed upright, or "-1" if facing downwards
TILT	Name of the Sensor
*HH	Checksum
<CR><LF>	End of message termination

Example GMX550/GMX600 data string:

```
$WIMWV,069,R,004.06,N,A*00
$WIMWV,122,T,,N,A*14
$WIXDR,C,+023.2,C,TEMP,P,1.0281,B,PRESS,H,037,P,RH,Y,000.000,M,PRECIP*0A
$GPGGA,075613.000,5045.7954,N,00132.3938,W,1,07,1.2,21.5,M,47.8,M,,0000*7B (GPS unit)
$PGILT,A,+00,D,+00,D,+1,TILT*34
```

Repeated every second (1Hz output).

6.7. Safe Mode

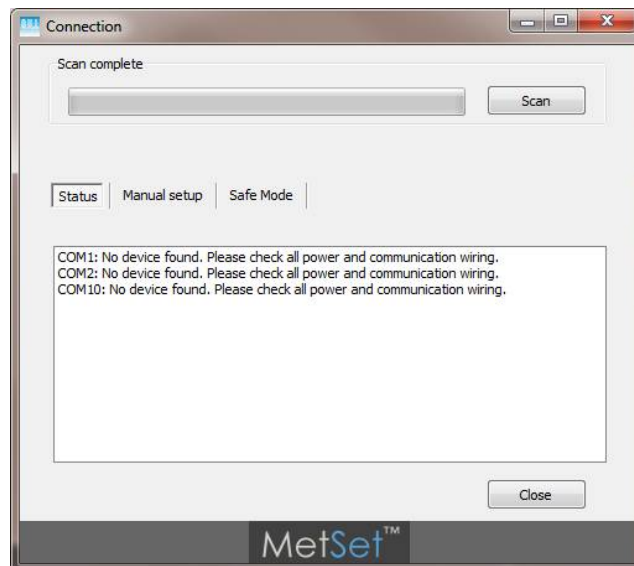
6.7.1 Summary

The MaxiMet Safe Mode provides a means of recovering communication with the MaxiMet whatever configuration setting may have been made. For instance if the unit has been set for SDI-12 or Modbus operation Safe Mode can be used to change the communication option back to RS232 or RS422.

6.7.2 Safe Mode Method 1

Connection

1. Connect the MaxiMet for RS232 communication as detailed in para 4.6.
2. Open Gill MetSet Software (see para 6.2).
3. Click on Connect and Read. MetSet will scan COM port settings for a connected MaxiMet but as the COMMS protocol is not matched will be unable initially to find the MaxiMet.
4. Now click on the Safe Mode button.



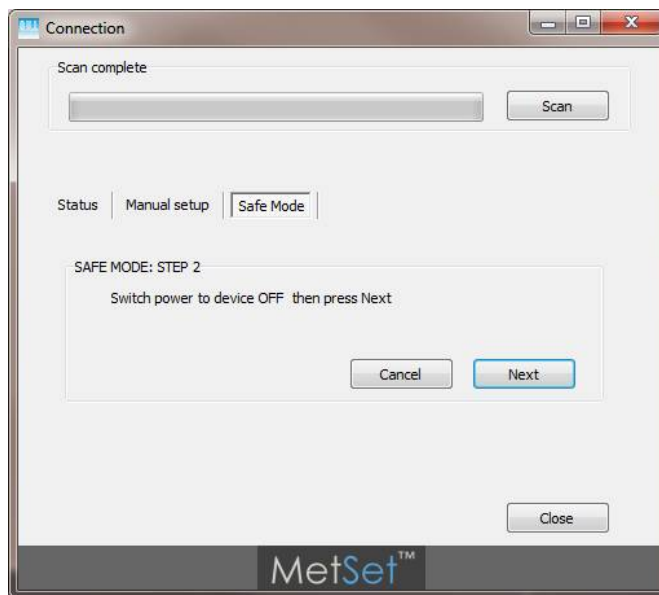
5. Ensure the MaxiMet is wired for RS232 operation and power and click on Next.



6. Enter the MaxiMet COM Port connection number.

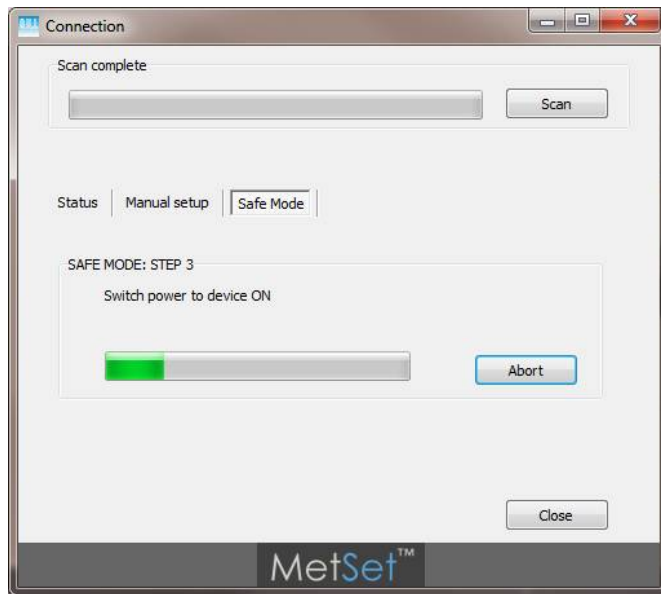


7. Ensure power is now disconnected from the MaxiMet.
NOTE: If using the Gill Instruments RS232 to USB configuration cable then unplug the 9-way connector from the base of the MaxiMet.
8. Now click on Next.

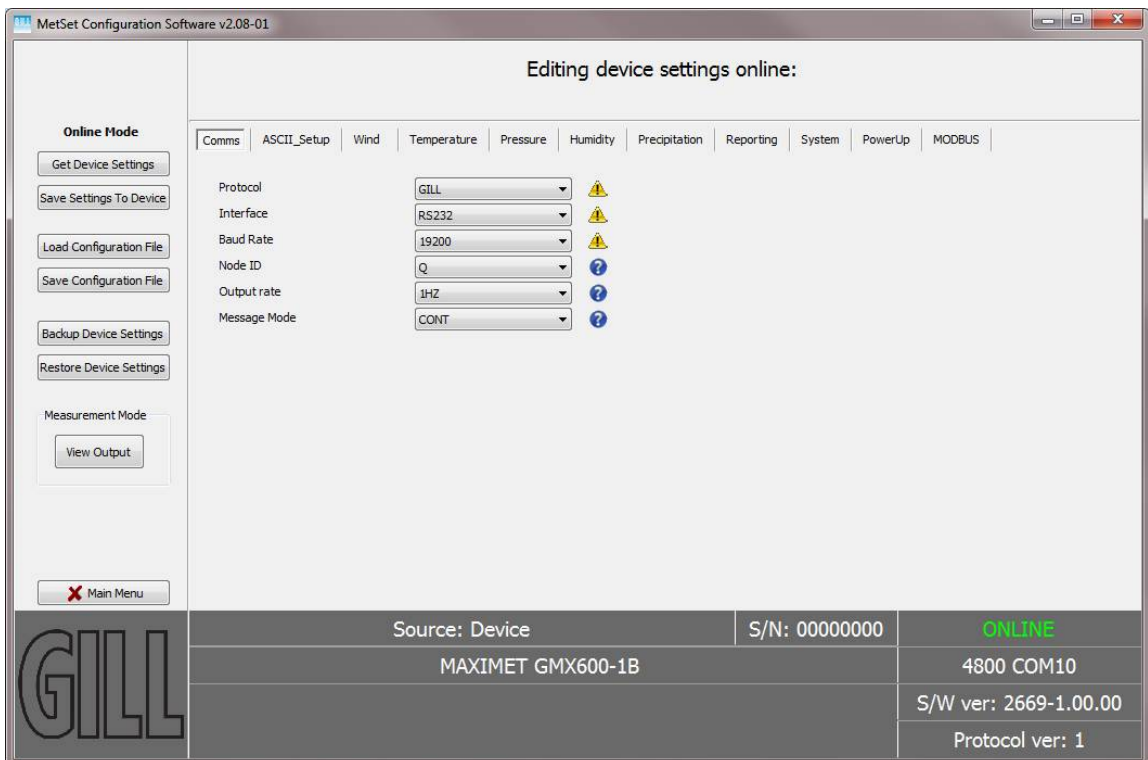


- Re-connect power to the MaxiMet.

NOTE: If using the Gill Instruments RS232 to USB configuration cable then plug in the 9-way connector to the base of the MaxiMet.



- MetSet now opens a Safe Mode 4800 baud connection from which all settings can now be read and changed.



6.7.3 Safe Mode Method 2

Connection

1. Connect the MaxiMet for RS232 communication as detailed in para 4.6.
Note: At this stage the MaxiMet supply should be switched off.
If using the Gill Instruments RS232 to USB configuration cable then unplug the 9-way connector from the base of the MaxiMet.
2. Open a terminal program e.g. Gill Wind Software (obtainable from <http://www.gillinstruments.com/main/software.html>) or equivalent terminal program e.g. Tera-Term, Putty etc.
Note: If using Gill Wind Software the Tools features are not applicable.
3. Set the Serial Port to the required COM Port connection using the drop down menu and click on the OK button.
4. Set the Baud Rate to 4800 using the drop down menu. A blank Wind terminal screen will be opened.
5. Left click the mouse in the blank terminal screen.
6. Hold down the * (asterisk) key on the keypad.
7. **With the * key still held down, apply power to the MaxiMet**
If using the Gill Instruments RS232 to USB configuration cable then plug in the 9-way connector to the base of the MaxiMet.
 This will result in placing the unit into SAFE MODE.
8. Press Enter to start a new line (Ignore illegal command line).

```

G Wind
Baudrate Tools Exit About
SAFE MODE
> *****
ILLEGAL COMMAND LINE
>
  
```

To now change communication from, say, SDI-12 (or Modbus) or RS422 or RS485 to default RS232:

1. Type COMMS RS232 and press Enter.
2. Type Q and press Enter to exit SAFE MODE.
3. Data will now scroll on screen.

```

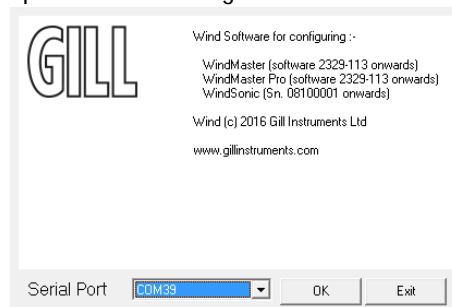
G Wind
Baudrate Tools Exit About
SAFE MODE
> *****
ILLEGAL COMMAND LINE
> COMMS RS232
> Q
@Q,200,000.03,1017.5,049.7,+021.2,+010.3,,#, #, #,+11.6,00,79
@Q,001,000.03,1017.5,049.7,+021.2,+010.3,,#, #, #,+11.6,00,7A
@Q,191,000.02,1017.5,049.7,+021.2,+010.3,,#, #, #,+11.6,00,73
@Q,265,000.01,1017.5,049.7,+021.2,+010.3,,#, #, #,+11.6,00,78
@Q,211,000.02,1017.5,049.7,+021.3,+010.3,,#, #, #,+11.6,00,79
@Q,214,000.03,1017.5,049.7,+021.3,+010.3,,#, #, #,+11.6,00,7D
@Q,035,000.05,1017.5,049.7,+021.3,+010.3,,#, #, #,+11.6,00,7A
  
```

4. Close the 4800 baud rate Wind or terminal program.
5. **Power down the MaxiMet and re-apply power.**
6. Open Gill MetSet software and read settings/change settings as required.

6.8. Using a Terminal Program to run MaxiMet Check Tilt Function

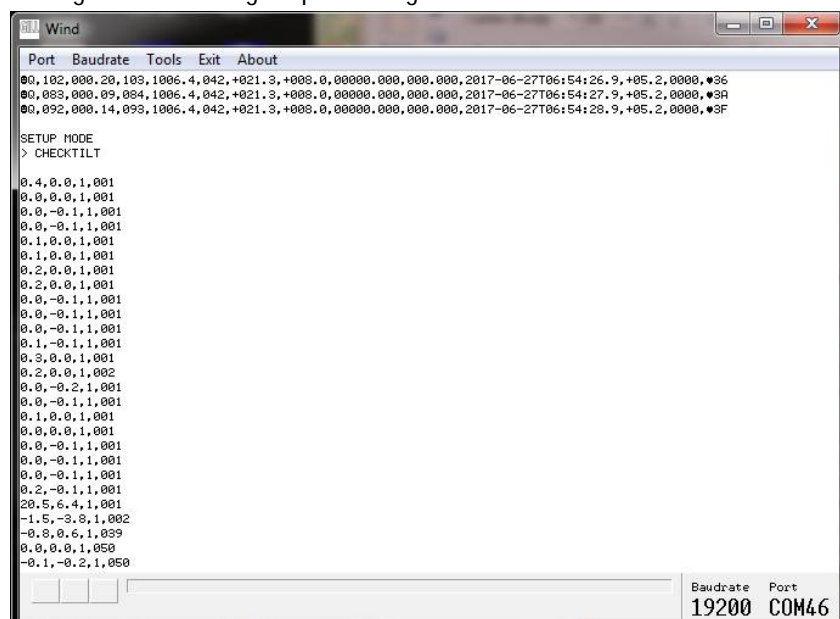
For those MaxiMet units that have a Tilt function output it is possible to use a Check Tilt command that results in just X, Y, Z Tilt information (and compass output with wind output models) being output at 4Hz with additional decimal point accuracy, should this be required for installation set-up.

1. To enable this Tilt function it is necessary for the MaxiMet to be set and wired for RS232 or RS422 data two-way TX/RX communication and a suitable converter should be used to interface the MaxiMet to a PC running a terminal program.
2. Then connect the MaxiMet data output to a PC and open a terminal program e.g. Gill Wind software (note the Wind software Tools features are not applicable).
3. Select the required COM port connection e.g. COM 39.



4. Select the baud rate from the drop down menu to match the MaxiMet setting (default 19200 baud).
5. MaxiMet data should scroll on screen.
6. Type * (asterisk) to set the MaxiMet to SETUP MODE.
7. Type CHECKTILT and press the Enter key for 4Hz data output.
8. Adjust the MaxiMet positioning to achieve required tilt angles e.g. 0.0, 0.0,1 for ideal horizontal set up.
9. For those units with a fitted compass use the compass reading to assist with MaxiMet North alignment if required.
10. To return to MaxiMets pre-configured normal measurement output, power down and then power up the unit.

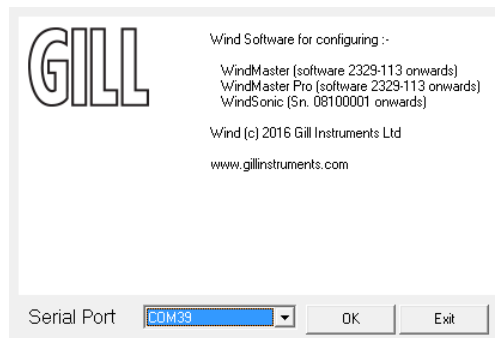
Note: The Check Tilt function is not a memorised setting and as soon as power is reset the unit reverts to its pre-configured data string output setting.



6.9. Using a Terminal Program to Set MaxiMet Date and Time

As an alternative to using MetSet to set MaxiMet time which might add a delay to time setting as MetSet saves settings (up to 60 seconds) then MaxiMet TIME can be set manually with potentially more accuracy against a reference time as follows:

1. With the MaxiMet set and wired for RS232 or RS422 data two-way TX/RX communication via a suitable converter, interface the MaxiMet to a PC running a terminal program.
2. Open a terminal program e.g. Gill Wind software (note the Wind software Tools features are not applicable) or Tera Term or Putty etc.
3. Select the required COM port connection e.g. COM 39.



4. Select the baud rate to match the MaxiMet setting (default 19200 baud).
5. MaxiMet data should scroll on screen.

```
Q,027,000.23,311,1018.8,041,+025.4,+011.5,0002,2017-06-01T15:21:30.0,+05.2,0000,18
Q,045,000.14,330,1018.8,041,+025.4,+011.5,0002,2017-06-01T15:21:31.0,+05.2,0000,1A
```

6. Type * (asterisk) to set the MaxiMet to SETUP MODE.
7. Type TIME and Press the PC Enter key to show the current date and time (and format).
TIME = 2017-06-01T15:25:00
8. To set a new TIME choose a convenient Time in the future say 5 minutes ahead.
9. Now Type in the new Date/Time in the following format:-
TIME 2017-06-01T15:30:00
(Year/Month/Day/Hours/Minutes/Seconds)
10. Using a reference accurate clock/watch showing current time compare this to the time set above.
11. When the two TIMES are matched press the PC Enter key to update the MaxiMet TIME to the reference time.
12. Type Q and press the Enter key to return the MaxiMet to Measurement mode with the updated TIME reading.

7. VIEWING MAXIMET DATA STRING

7.1. Use MetSet to View the MaxiMet Data String

Install MetSet software V2.12.01 onwards on to a PC from the supplied CD or download MetSet from the Gill website at:

<http://gillinstruments.com/main/software.html>

MetSet software allows you to view the MaxiMet data string graphically. Before you can use MetSet, check that MaxiMet is correctly connected to a Serial COM port or USB COM port on your PC.

Notes: MetSet is compatible with RS232 and RS422 connected units set for ASCII and NMEA output only.

MetSet will not read SDI-12 or Modbus data strings.

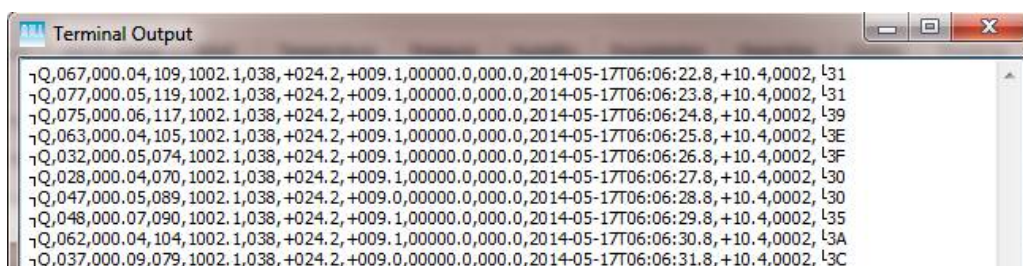
Opening MetSet

1. Click on the MetSet **Connect and Read** button. MetSet will display the Editing screen.
2. Click on **View Output** button.



3. The MaxiMet data string will be shown.

Note: This terminal program can only read MaxiMet data it cannot be used to send commands to the MaxiMet.



7.2. Using Gill MetView Software to View the MaxiMet Data String

Install MetView software (V2.07-01 onwards) on to a PC from the supplied CD or download MetView from the Gill website at:

<http://gillinstruments.com/main/software.html>

MetView software allows you to view the MaxiMet data visually and has a simple data logging facility. Before you can use MetView, check that MaxiMet is correctly connected to a serial COM port or USB COM port on your PC.

Notes: MetView is compatible with RS232 and RS422 connected units set for ASCII only.

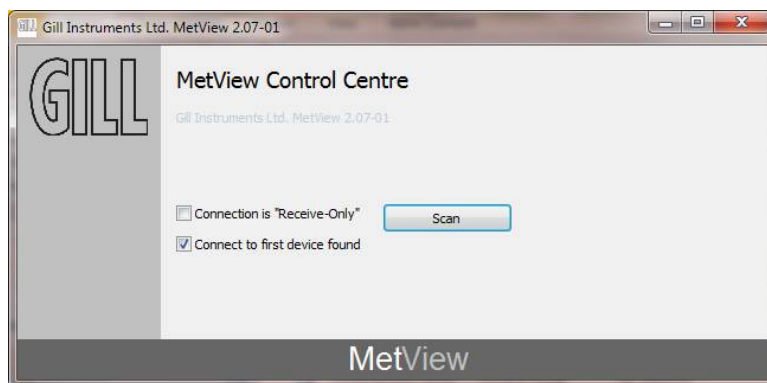
MetView will not read NMEA, SDI-12 or Modbus data strings.

Requires the use of MetView Software version 2.07-01 and higher to read MaxiMet data.

7.2.1 Opening MetView

Click on the MetView button on your PC's desktop or choose **Start > Programs > MetView > MetView**.

The MetView Control Centre window is displayed as follows:



Connection is 'Receive-Only'

Use (tick) if the MaxiMet connection to the PC has only transmit wires connected and a MetSet version of its current device settings is available to upload to MetView. Select 'Connection is 'Receive-Only'' tick box and click on the Scan button. Upload a MetSet generated device file from a PC location as directed.

Connect to first device found

Selecting this box (default setting) means that if multiple MaxiMets are connected to the PC, MetView will connect to the MaxiMet connected to the lowest-number COM port.

If the 'Connect to first device found' option is not selected then all connected MaxiMet COM port connections will be shown when the Scan button is selected.

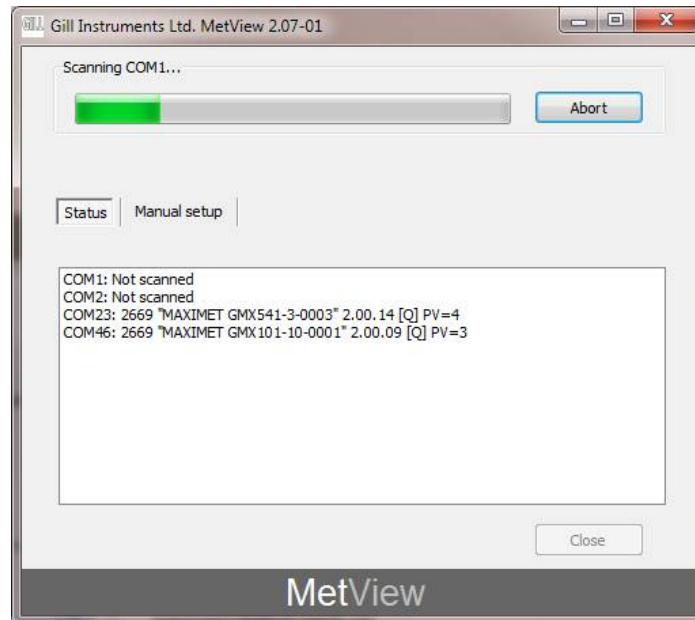
Scan Button

If MaxiMet transmit and receive wires are connected to the PC then use the Scan button to connect to MetView.

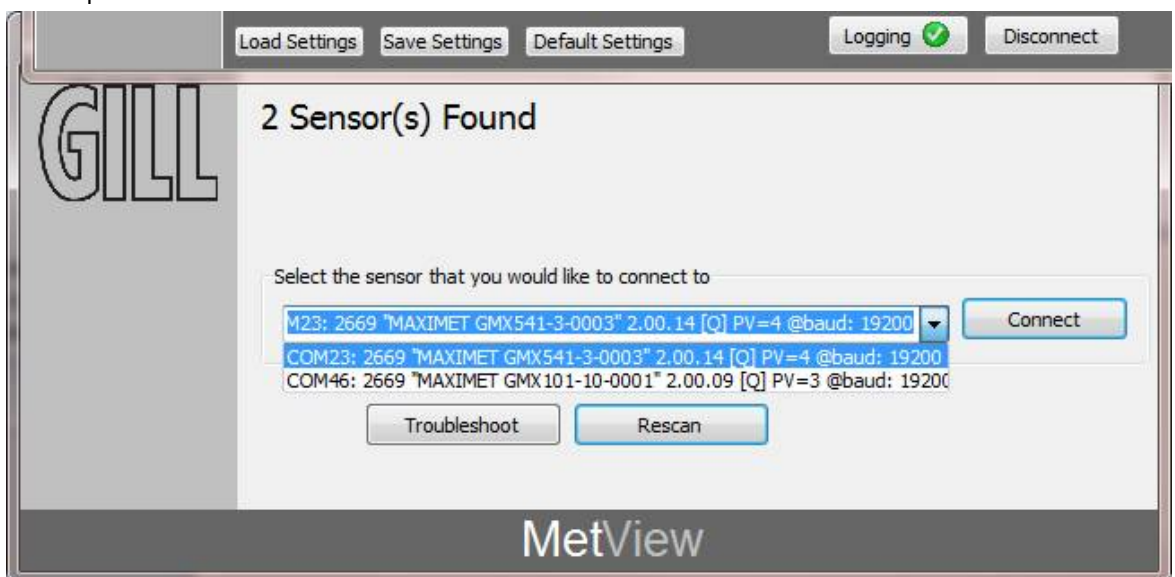
7.2.2 Scanning for Devices

To set up communications between MetView and a connected MaxiMet:

1. Click on the **Scan** button to search the available COM ports for connected MaxiMet units.



- a. If **Connect to first device found** has been selected then MetView will automatically connect to the MaxiMet on COM Port 10 (connects to lowest numbers first) and open the MaxiMet data view screen showing all of the MaxiMet parameters that have been enabled as outputs.
 - b. If **Connect to first device found** is deselected then click on the Scan button. MetView will then allow the required MaxiMet connection to be made using the blue background highlighted drop down menu.
2. Select Connect to go to the data view screen.
 3. To select the other MaxiMet then in the data view screen select the Disconnect button and use the drop down menu below to select and connect to the new MaxiMet.



7.2.3 The MetView Console

When connected correctly, MetView displays its data-monitoring console. This consists of gauges for all of MaxiMet enabled parameters.

Buttons beneath each of the gauges allow you to choose the displayed units and other options. Each gauge also shows the maximum and minimum values recorded during the current session. The wind speed gauge also shows the maximum gust speed.

Note: MetView will not show data if the unit is set for Modbus or SDI-12 format.

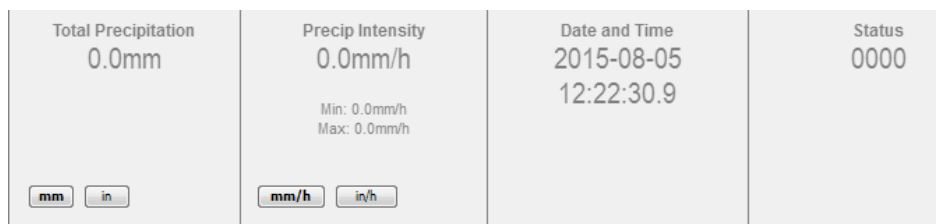
An example MetView screen (part of) is shown below (GMX600 default output).



Connection status indicators

Reading	Function
Green Background Tick	Indicates that the MaxiMet is logging or communicating with MetView correctly, as well as reading the MaxiMet firmware version.
Red Background Cross	Indicates that the MaxiMet is not logging or connected/communicating with MetView.
1.00Hz	Indicates the output rate of the MaxiMet when connected. Reads when the unit is communicating correctly with MetView.
Wed 05 Aug 2015 12:34:45	Real time PC date and time indication.

Remaining MetView GMX600 default output screen shown below



Notes: No gauges are associated with the above digital readouts.

The order in which the instruments are shown in the MetView display reflects the order in which the instrument data appears in the MaxiMet data string.

7.2.4 MetView Console Display Options

Units shown in **bold** on the MetView screen denote default settings.

MetView Scale and Units of Measure Options

MetView Console buttons can convert data from the MaxiMet to read different units of measure or scale settings, or in the case of Wind readings the type of display (e.g. Maritime, NSEW).

On-screen MetView settings do not alter the actual MaxiMet configuration settings or MaxiMet logged data parameters and units of measure.

MetView Averaging Options

Setting	Function
Real Time	Choose this button for no averaging
2 Min	Select for on screen 2 minute rolling average for all sensor readings
10 Min	Select for on screen 10 minute rolling average of all sensor readings

MetView Max/Min Markers

Setting	Function
Off	Maximum and Minimum Markers on all applicable gauges turned off
On	Maximum and Minimum Markers on all applicable gauges turned on
Reset	Reset all applicable gauge Maximum/Minimum Markers and all digital Maximum/Minimum reading at will

MetView Screen Settings Options

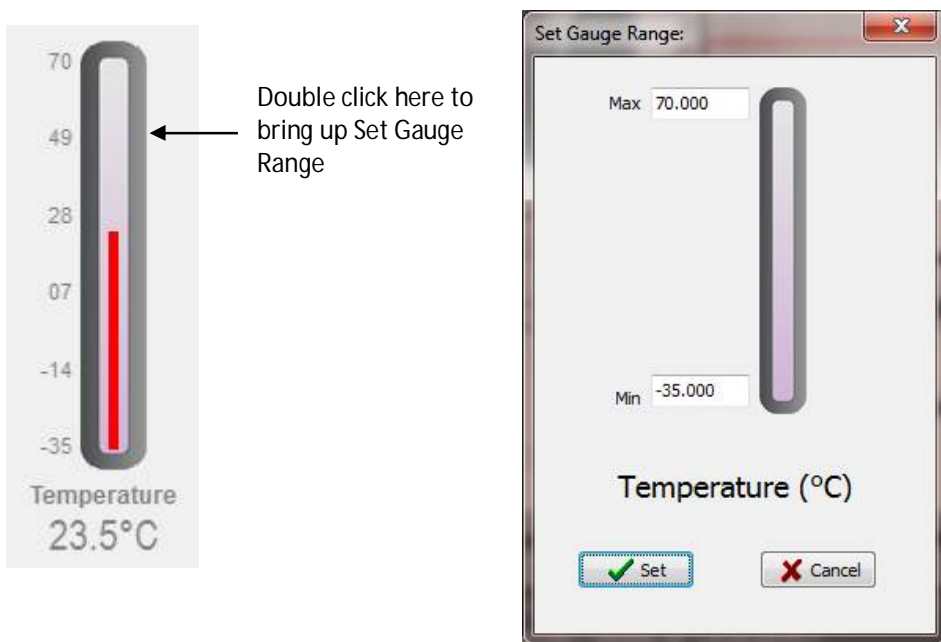
Setting	Function
Save Settings	Will save all the current MetView screen settings to a file location as a .msf file for later retrieval if required.
Load Settings	Will load and update the MetView screen with a previously saved .msf file setting. For use when only a MaxiMet transmit connection is available
Default Settings	Will return all MetView screen settings to factory default.

7.2.5 MetView Gauge Ranges and Graphs

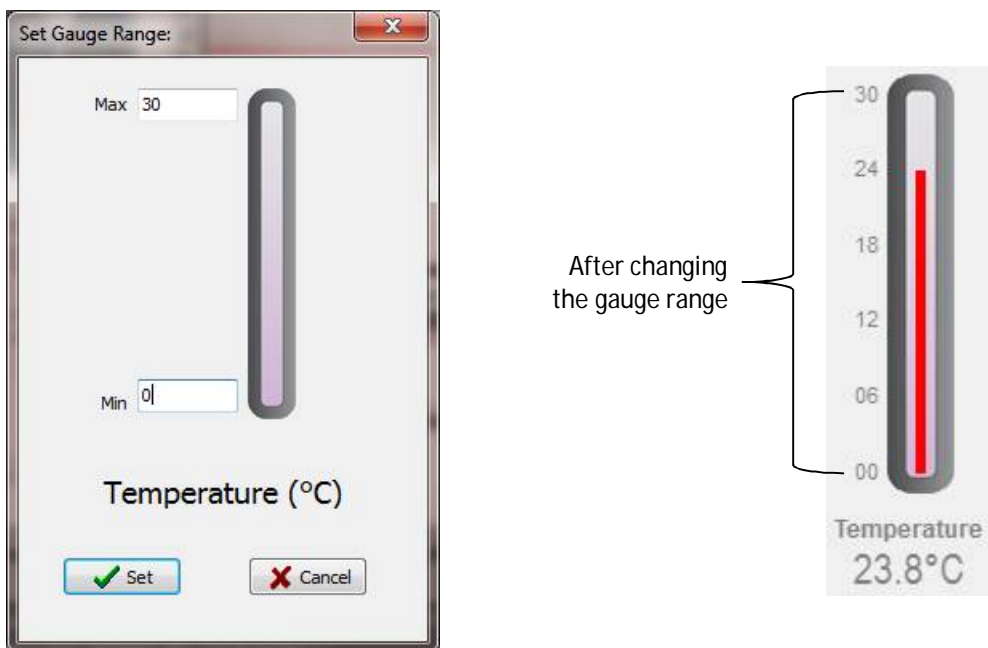
Gauge Range Settings

MetView thermometer style gauge ranges may be altered to view changes in sensor readings more visibly. These changes only affect MetView settings and do not affect the MaxiMet output or logged data. For instance, if the typical Temperature measurement range required is from 0 to +30 °C then the temperature gauge range can be adjusted to reflect this.

1. Place the mouse pointer over the Temperature display gauge and double click to bring up the Set Gauge Range screen. Change Min and Max readings to the required values, e.g. Min: 0, Max: +30.
2. Click on Set. The Temperature gauge range will be updated to reflect the change.



- 1 Open Set Gauge Range window by double clicking on the display gauge



- 2 Change Max and Min values as required and click Set to update the display

Graphs

MetView allows data detected over the last minute, last 1 hour and last 24 hours to be accessed and shown on a graph.

Note: Data is only shown up to the time when the graph function is selected; the graph is not updated once opened. Data is collected from the time that MetView is opened and reading data from a MaxiMet.



Double click on the reading to bring up the graph

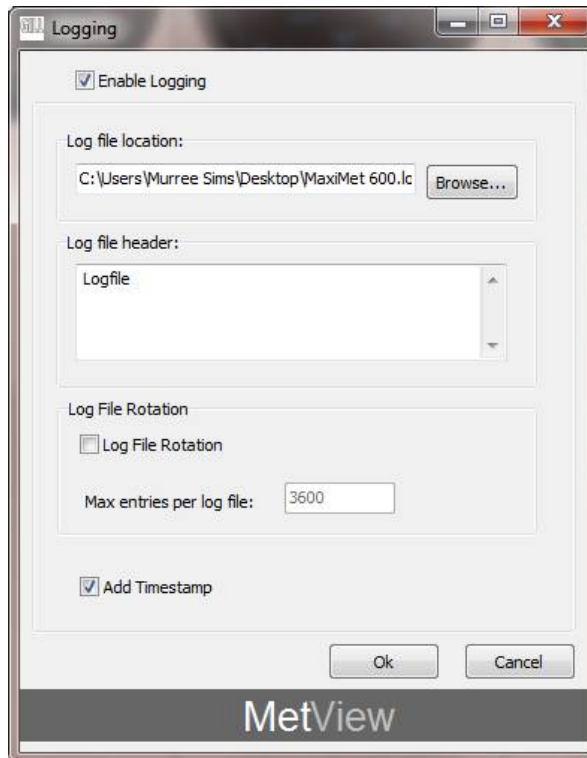


Click on the Last Min, Last Hour or Last 24 Hours buttons as required to view data.

7.2.6 Data Logging

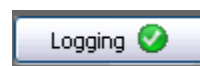
Note: MetView logs data based on the MaxiMet configuration not on the MetView console settings.

To start, click on the **Logging** button  on the open MetView console. The Logging dialog box is displayed.



- Set up a logging file: Select **Enable Logging** (adds a tick to the box).
- Log file location: Click on the **Browse** button to identify the folder where you want to store the data file. Enter the name of the file.
- Log file header: If required, type some notes on the data that is to be recorded which will appear at the top of the saved data log file.
- Log file rotation: Set up segmented logging with each logged file length determined by the number entered in the text box below. The figure 3600, for example, means that each log file length will be 3600 lines of data. The maximum number of entries per log file is limited to 65535 and a maximum of 2048 log files can be created.
- Add timestamp: Select to add date and time to the logged data file taken from the PC clock.
- To start logging: Check that the **Enable Logging** option is selected. Click on the **OK** button to commence logging and return to the console.

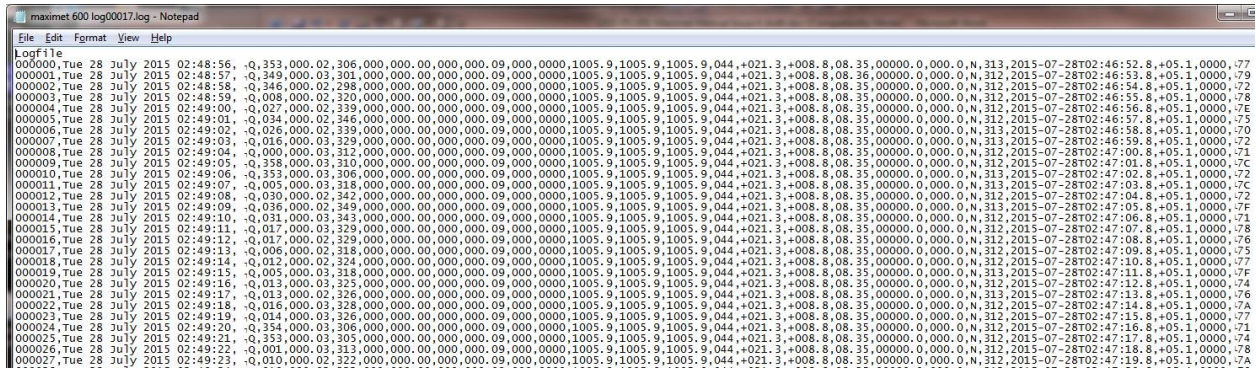
Note: To show that data is being recorded the Logging button's icon changes from a cross with a red background to a tick with a green background.



To stop logging: Click on the **Logging** button on the MetView console. Clear the **Enable Logging** check box.

Click on the **OK** button. If logging has stopped, the Logging button shows a red-background cross instead of the green-background tick (see above).

An example of the logged MaxiMet data .log file opened by Notepad is shown below:

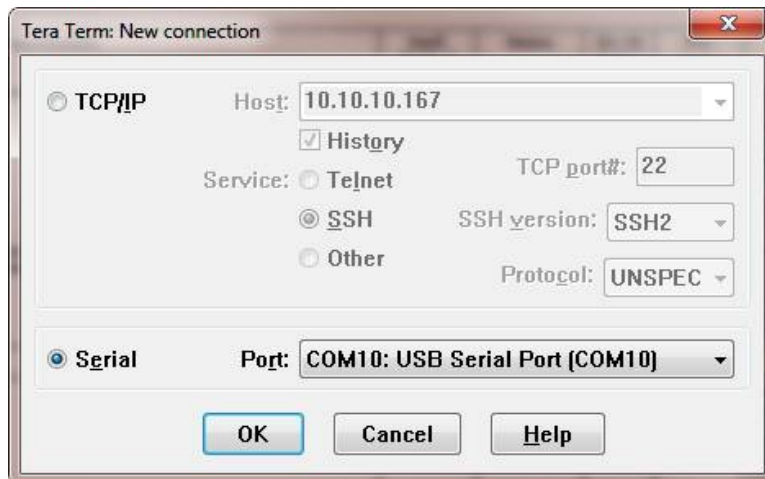


7.3. Use a Terminal Program to View the MaxiMet Data String

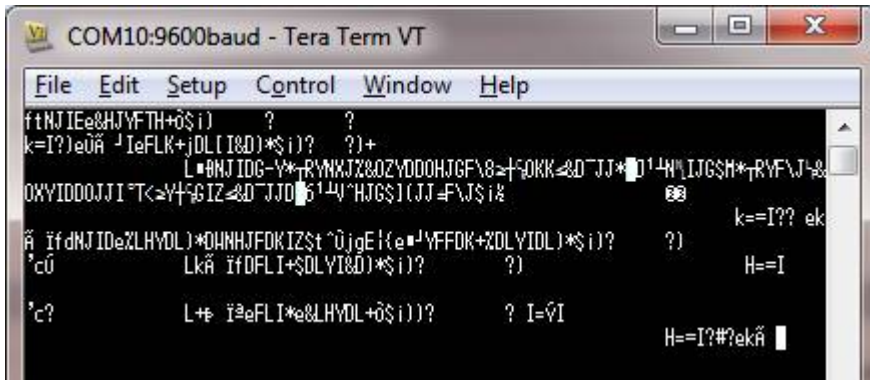
There are many terminal programs that might be used to view the MaxiMet data string, e.g. HyperTerminal, Putty, Tera Term etc.

If, for example, Tera Term is used:

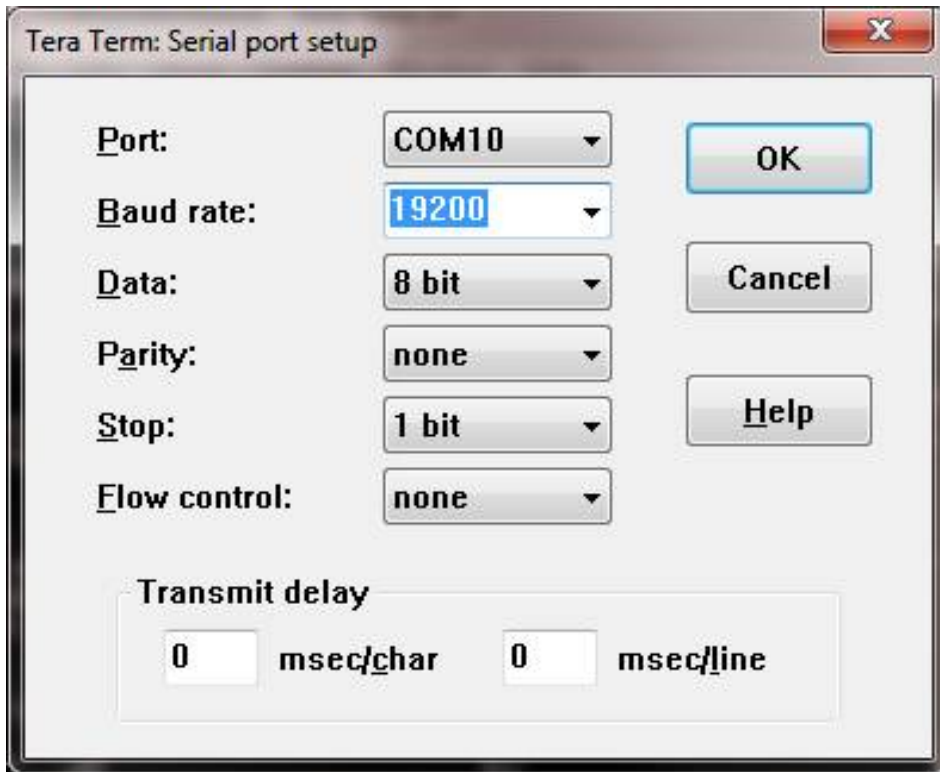
1. Open Tera Term.
2. Select Serial.
3. Select MaxiMet connected COM port.
4. Click on OK.



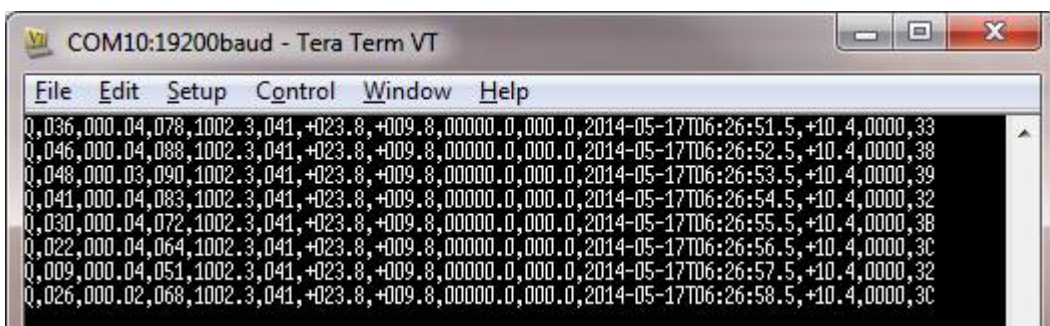
5. Tera Term opens at 9600 baud by default but MaxiMet uses 19200 as a default, so change Tera Term baud rate setting to 19200.



- a. Select Setup from the top menu.
- b. Click on Serial Port from the drop down menu.
- c. Change baud rate to 19200.
- d. Click on OK.

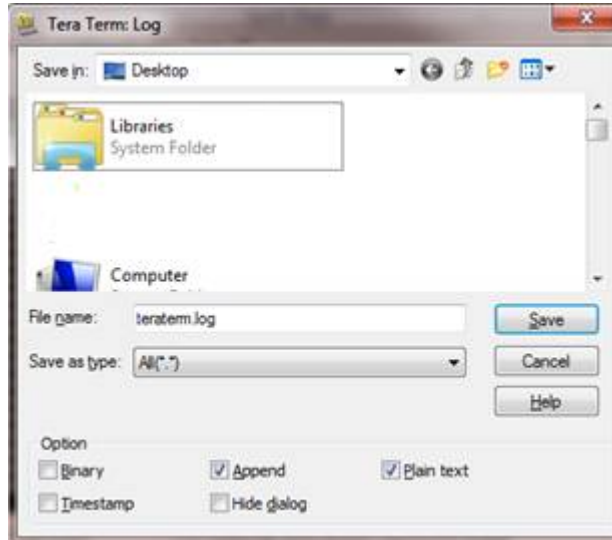


Data will be output as follows:

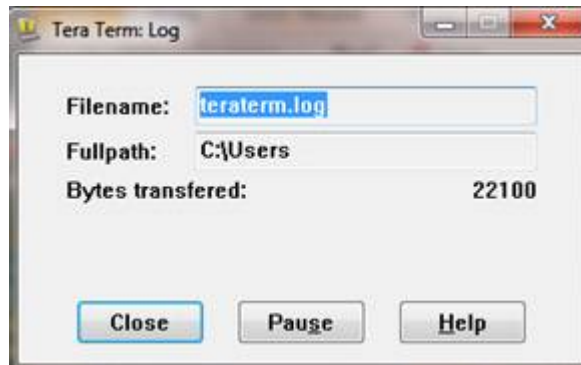


Creating a logging file

1. Select **File > Log**.
2. Select **Save in** destination, e.g. Desktop.
3. Add the name for the log file in **File Name**, e.g. teraterm.
4. Tick options as required e.g. Timestamp.
5. Click on **Save**.



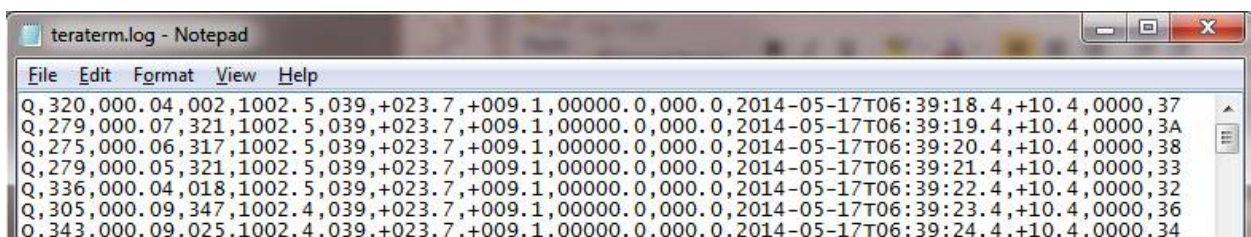
6. The following dialog box will open on the PC desktop.



7. To stop logging, click on the **Close** button.

Understanding Logged Data

Logged data is stored to a file with a **.log** extension. This can be viewed in any text/HTML editor or spreadsheet application.



8. MAINTENANCE & FAULT-FINDING

8.1. Cleaning and Handling

Ideally when installing the unit handle with lint free gloves and degrease the unit to reduce the build-up of deposits.

8.2. Servicing

There are no moving parts requiring routine maintenance.

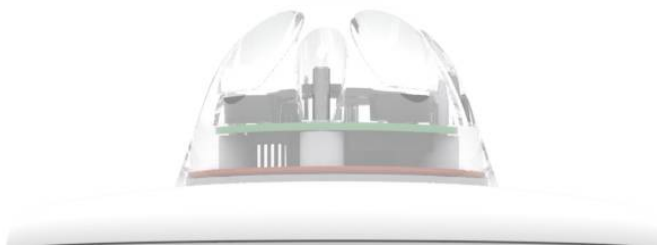
Opening the unit or breaking the security seal will void the warranty and the calibration.

In the event of failure, prior to returning the unit to your authorised Gill distributor, it is recommended that:

- All cables and connectors are checked for continuity, bad contacts, corrosion etc.
- A bench test is carried out.
- Contact your supplier for advice if failure persists.

8.2.1 Precipitation Sensor

GMX100, 240, 400, 541 and 600 Solid State Rain Gauge



Users/distributors should clean the plastic dome with a soft, lint free cloth and where necessary with a non-aggressive cleaning solution ideally once a week. Where this is not possible, cleaning should be done during regularly-scheduled visits to the sensor and site. It is recommended that the rain gauge sensor should be cleaned every 3 months as a minimum.

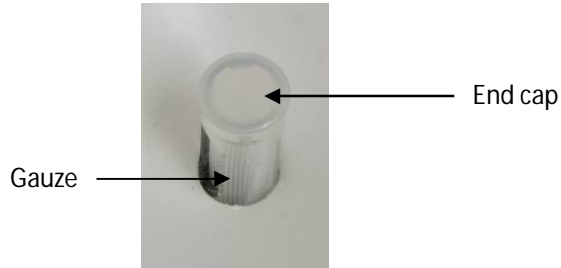
Users can check operation of the rain gauge by performing a simple test of functionality by spraying some water using a mist nozzle similar to that used in many households for watering plants. The MaxiMet rain gauge should register incremental rain fall when sprayed with water.

GMX 531 Kalyx Tipping Bucket Rain Gauge (similar checks should be carried out on other tipping bucket rain gauges)

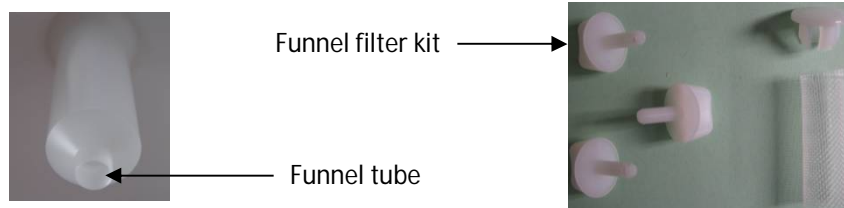
Maintenance periods are site dependant but periodic maintenance every 2-3 months should be considered. To ensure reliable and accurate measurements, we recommend that the following checks are carried out at each visit to the rain gauge.

Note: If the gauge is still connected to a data logger and logger is operating, care must be taken to avoid tipping the bucket when carrying out the following operations.

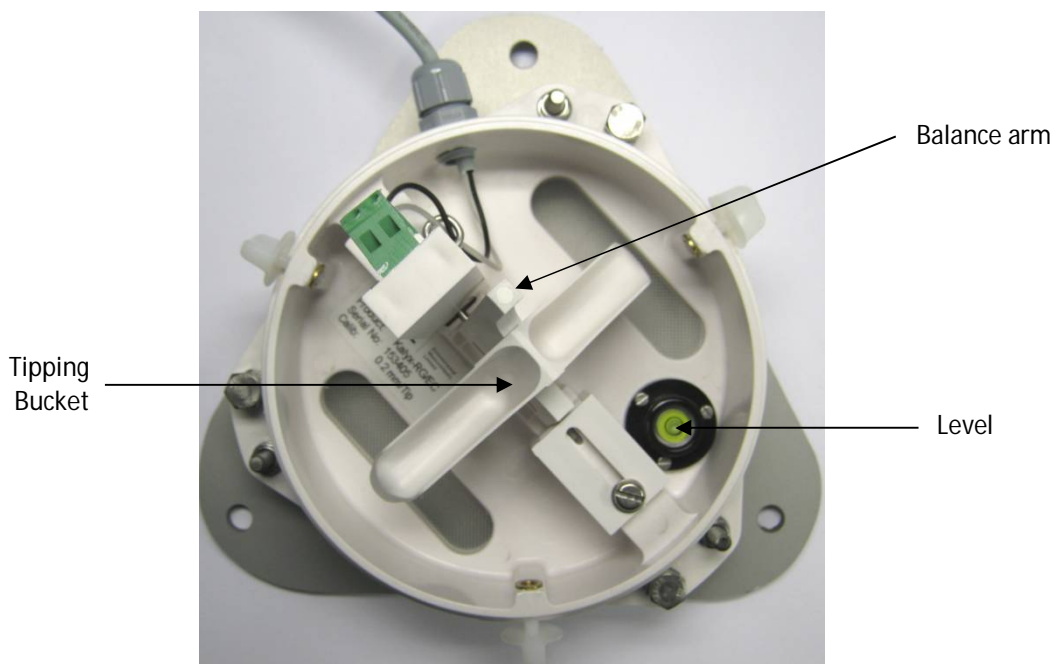
- Inspect the funnel and filter for any damage or blockage. At certain times of the year leaves may have accumulated in the funnel. Dirt and dust can also block the filter, preventing or reducing the flow rate to a slow drip to the bucket beneath. The leaves can easily be removed from the funnel.
- Unscrew the 3 nylon screws securing the funnel to the case assembly and remove the funnel.
- Remove the end cap from the filter tube; remove the gauze filter material carefully.



- The external plastic funnel surface should be cleaned with clean water and a sponge; this will generally remove any mildew should this have been allowed to grow. Chemicals/detergents should not be used if the water is to be collected for later analysis. Otherwise mild detergents can be used if required. The internal funnel tube that directs water to the tipping buckets may need cleaning. Use a pipe cleaner or small nylon bristle wire brush or similar part to insert into the pipe to clean it.



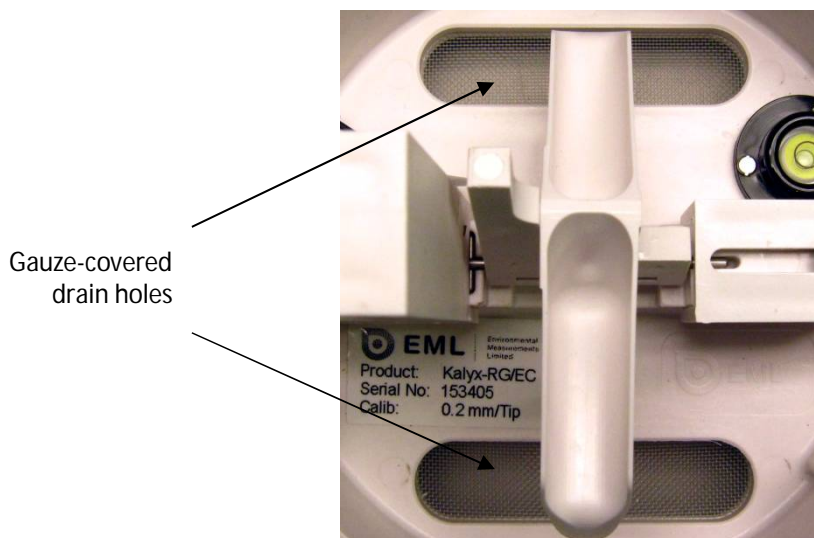
- Clean or replace the gauze filter into the filter tube and replace the top cap (for spares contact Gill Instruments).
- Remove and clean any dirt from the tipping bucket, being careful not to tip the bucket should the rain gauge still be logging.



Check that the gauge is still level. It is possible for the gauge to become tilted as a result of small ground movements, vandalism etc.

There will be times when, for one reason or another, the rain gauge will be not logging or will be disconnected from the logger. During these times it is a good idea to check the balance arm of the bucket for stiffness. The easiest way to do this in the field is to try and balance the bucket in its centre position. It should be very difficult if not impossible to achieve this. If the bucket balances easily then examine the bucket closely for any dirt or wear on the pivot pin and bucket tubes. Any wear will require the unit to be repaired/replaced.

There are two drain slots at the base of the instrument with a gauze covering that might require periodic cleaning. Carefully lift out the tipping bucket assembly to gain access to the drain slots for checking/cleaning.



Carefully re-assemble the rain gauge parts. When reattaching the funnel to the base assembly check that the internal funnel does not foul onto the tipping bucket. This can be checked by pouring in water and checking if the bucket tips or, if the whole assembly is not fixed in position, by gently rocking the bucket and listening for the bucket to tip.

Internal parts require no lubrication.

Notes: MaxiMet GMX531 is supplied with a Kalyx Rain Gauge.

MaxiMet GMX550/551 is supplied without a rain gauge.

The Kalyx calibration figure (0.2mm) can be seen on the label inside the rain gauge on the underneath of the bucket and adjacent to the tip assembly.

Spare Parts for GMX531 Kalyx Rain Gauge

Contact Gill Instruments

Kalyx Aerodynamic Rain Gauge (Gill Part No. 1957-PK-070).

Kalyx Rain Gauge spares comprising of:

- 3 off nylon screws to retain the bucket to the base assembly.
- 2 off funnel gauze filters.
- 2 off funnel gauze retainer top caps.

8.2.2 Solar Sensor



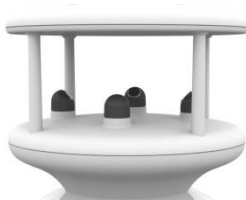
Users/distributors should clean the glass dome with a soft, lint free cloth and where necessary with a non-aggressive cleaning solution ideally once a week. Where this is not possible, cleaning should be done during regularly-scheduled visits to the sensor and site. It is recommended the solar sensor should be cleaned every month as a minimum.

In order to retain compliance with ISO 9060 it is recommended that the solar MaxiMet unit is returned for calibration every 12 months. In general, solar calibration should be checked every 24 months as a minimum.

8.2.3 Compass/GPS Modules

The compass and GPS module devices are maintenance-free. If required, return the MaxiMet to Gill Instruments to check the compass and GPS operation (see para 8.6. for details about returning the unit).

8.2.4 Wind Sensor (WindSonic)



If there is any build-up of deposits on the unit, it should be gently cleaned with a cloth, moistened with soft detergent. Solvents should not be used, and care should be taken to avoid scratching any surfaces. The unit must be allowed to defrost naturally after being exposed to snow or icy conditions, DO NOT attempt to remove ice or snow with a tool.

There are no moving parts or user-serviceable parts requiring routine maintenance.

Opening the unit or breaking the security seal will void the warranty and the calibration.

8.2.5 Barometer

The barometer device is located internally and is not maintainable or replaceable by a user. Consideration should be given to checking the Pressure readings against a standard every 12 months. If required, return the MaxiMet to Gill Instruments to check the barometer calibration (see para 8.6. for details about returning the unit).

8.2.6 UV Shield (MetSpec)



Ideally the user should try to keep MaxiMet radiation screens clean and free of biological growth but a simple wipe with some non-aggressive soft detergent cleaner will suffice. Solvents should not be used, and care should be taken to avoid scratching any surfaces. The unit must be allowed to defrost naturally after being exposed to snow or icy conditions, DO NOT attempt to remove ice or snow with a tool.

8.2.7 Temperature, Humidity and Dewpoint

The internal temperature and humidity sensor is not user-maintainable. If used in areas of high pollution or marine environments then consideration should be given to returning the unit for maintenance at Gill instruments every 12 to 24 months to ensure proper performance (see para 8.6. for details about returning the unit).

8.2.8 GMX531/GMX541/GMX550/GMX551 Side Connector



If there is no external rain gauge connected to the MaxiMet side connector, cover the connector with the cap provided with the MaxiMet to prevent dirt and dust from entering. On the GMX541 there is +12V dc across the side connector pins, take care not to short out the pins.

8.2.9 Calibration

A calibration check can be done by any user/distributor by comparing the values measured by MaxiMet with a reference value or in an environmental chamber. Users should understand that these checks are not the same as the calibration checks or calibration done at Gill but they can provide users with some degree of confidence to the validity of their measurements. If a user/distributor notices a significant difference between the MaxiMet and their test environment/reference they should contact Gill to discuss this and see if a calibration is required. See individual parts above for any recommended calibration periods.

8.3. Fault-finding

Symptom	Solution
No output.	<p>Check DC power to MaxiMet, cable and connections.</p> <p>Check communications settings of the MaxiMet and host system match, including correct COM port.</p> <p>Check that the unit is in continuous mode.</p> <p>Check that in-line communication devices are wired correctly.</p> <p>Note: It is usual for anemometer TX + to be connected to converter device RX +.</p> <p>If appropriate use Safe Mode to attempt to obtain communication with the MaxiMet.</p>
Corrupted output.	<p>Check that the communication settings of the MaxiMet and host system match.</p> <p>Try a slower baud rate.</p> <p>Check cable lengths and type of cable.</p> <p>Check for sources of external signal interference.</p>
One-way communication.	Check that the wiring is in accordance with the manual.
Unexpected Temperature /Dewpoint readings.	Check that the Temperature and Dewpoint units of measure (C, F, K) settings are correct on power up.
Unexpected Wind readings.	Check that the Wind Sensor units of measure (m/s, knots, kph, ft/min, mph) settings are correct on power up.
Unexpected Temperature/Dewpoint and Humidity readings.	Temperature and Humidity Device faulty.
Unexpected Barometer Readings.	Check units of measure are set correctly and if offset HASTN or PSTN readings have been applied.

Unexpected Rainfall readings or no readings when raining.	Check in the case of the solid state sensor that the sensor is not obstructed. In the case of a tipping bucket rain gauge, check that the funnel and filter are not clogged and are clean. Check that the tipping bucket mechanism swings freely. In the case of another user-supplied external rain gauge, check that the rain gauge is functioning correctly.
Status code not 0000 or A.	See following tables.

Sensor Status Codes

Code	Status	Condition
0000	OK.	No fault conditions detected in measurement period.
0001	Wind measurement fault.	Wind Sensor faulty.
0002	GPS error.	E.g. Locating Satellite fix.
0004	Source for Corrected Wind Direction is GPS.	GPS notification.
0006	GPS Location missing.	GPS error.
0008	Tilt measurement fault.	Tilt error.
0010	Temperature measurement fault.	Temperature sensor faulty.
0020	Dewpoint fault.	If Temperature and Humidity are reporting correctly then this code indicates a main PCB fault.
0040	Humidity fault.	Humidity sensor faulty.
0080	Pressure sensor warning.	Pressure sensor reading not available/unit faulty.
0100	Compass fault.	Invalid heading due to compass fault.

Wind Status Codes

Code	Status	Condition
0000	OK.	No fault conditions detected in measurement period.
0001	Wind sensor - axis failed.	Wind axis U blocked or faulty.
0002	Wind sensor - axis failed.	Wind axis V blocked or faulty.
0004	Wind sensor - both axes failed.	Wind axes U and V blocked or faulty.
000B	Wind sensor readings failed.	Wind sensor data output fault.
0100	Wind Average building.	WMO wind average building.
0200	Corrected Wind measurement not available.	Compass corrected wind measurement failure.
A	NMEA acceptable data.	No fault conditions detected in measurement period
V	NMEA void data.	Fault condition detected in measurement period.

8.4. Safe Mode

If a unit is received that will not communicate or the configuration settings are not known then Safe Mode can be used to establish communication with the MaxiMet and change configuration settings (see para 6.7).

8.5. Bench Test

See para 4.11.3.

8.6. Returning Units

If the unit has to be returned, it should be carefully packed in the original packaging and returned to your authorised Gill distributor, with a full description of the fault condition. An RMA number should be obtained from Gill Instruments first if returning directly to Gill Instruments.

8.7. Guarantee

For terms of guarantee contact your supplier. Warranty is void if the unit is damaged or broken.

9. APPENDICES

9.1. MaxiMet Output Parameters selectable using MetSet Software

Note: Not in order of output, see page 6 for applicability and para 6 for MetSet set up.

NODE - *Node Letter*

MaxiMet identifying Node letter at beginning of the data string.

Result e.g. Q (default).

SPEED - *Wind Speed*

Wind Speed measurement.

Result e.g. 001.05 (metres/second default).

CSPEED - *Corrected Speed*

Corrected Wind Speed shall be computed as the True Wind Speed (i.e.: using GPS Speed, GPS Heading and Compass Heading) when all three of GPS Speed, GPS Heading and Compass Heading are available.

Result e.g. 003.17 (metres/second default).

Corrected Wind Speed shall not be computed when any one (or more) of GPS Speed, GPS Heading and Compass Heading are unavailable.

Corrected Wind Speed shall not be computed when Compass Heading is unavailable.

The Gill Algorithm for generating Corrected Speed based on Compass heading is as follows:-

1. Convert Magnitude and Direction to UV.
2. Calculate applied wind in UV due to movement from GPS.
3. Calculate Corrected UV as difference between Relative and GPS wind.
4. Convert UV back to Magnitude and Direction.

GSPEED (WMO) - *Gust Speed*

Outputs WMO Gust Speed.

Maximum Gust Magnitude shall be computed over a block of m gust magnitudes as follows:

$$rwa_max_gust_mag = \max\{gust_mag_1, gust_mag_2 \dots gust_mag_m\}$$

Where: $m = rwa_short_len$

$$gust_mag = \sqrt{u_avg^2 + v_avg^2}$$

$$u_avg = \frac{\sum_{n=1}^3 u_vector_n}{3}$$

$$v_avg = \frac{\sum_{n=1}^3 v_vector_n}{3}$$

Result e.g. 015.15 (metres/second default).

CGSPEED - Corrected Gust Speed

GPS corrected Gust Speed.

Result e.g. 011.05 (metres/second default).

AVGSPEED (WMO) - Average Speed

Outputs the World Meteorological Organisation (WMO) Average Wind Speed reading based on AVG short and AVG long settings (see Page 61).

Result e.g. 001.45 (metres/second default).

A short term average magnitude shall be computed every *rwa_short_len* samples as follows:

$$mag_st = \sqrt{u_st^2 + v_st^2}$$

$$\text{Where: } u_st = \frac{\sum_{n=1}^N u_vector_n}{N}$$

$$v_st = \frac{\sum_{n=1}^N v_vector_n}{N}$$

u_vector_n = *n*th calibrated *u*-vector generated at "*P*"-rate

v_vector_n = *n*th calibrated *v*-vector generated at "*P*"-rate

N = *rwa_short_len*

A long term average direction shall be computed every *rwa_long_len* samples as follows:

$$rwa_direction = \arctan\left(\frac{u_lt}{v_lt}\right)$$

$$\text{Where: } u_lt = \frac{\sum_{n=1}^M u_st_n}{M}$$

$$v_lt = \frac{\sum_{n=1}^M v_st_n}{M}$$

u_st_n = *n*th short-term *u*-vector average defined above

v_st_n = *n*th short-term *v*-vector average defined above

AVGCSPEED (WMO) -Average Corrected Speed

Outputs the World Meteorological Organisation (WMO) Average Wind Speed reading based on AVG short and AVG long settings (see page 61).

Result e.g. 001.45 (metres/second default).

DIR - Direction

Wind Direction relative to the MaxiMet north marker.

Result e.g. 132 (degrees).

CDIR - Corrected Direction

Corrected Wind Direction shall be computed as the Apparent Wind Direction (i.e.: using Compass Heading) when Compass Heading is available but any one (or more) of GPS Speed and GPS Heading are unavailable.

Corrected Wind Direction shall be computed as the True Wind Direction (i.e.: using GPS Speed, GPS Heading and Compass Heading) when all three of GPS Speed, GPS Heading and Compass Heading are available.

Result e.g. 116 (degrees).

Corrected Wind Direction shall not be computed when Compass Heading is unavailable.

The Gill Algorithm for generating Corrected Direction based on Compass heading is as follows:-

1. Convert Magnitude and Direction to UV.
2. Calculate applied wind in UV due to movement from GPS.
3. Calculate Corrected UV as difference between Relative and GPS wind.
4. Convert UV back to Magnitude and Direction.

GDIR (WMO) - Gust Direction

Outputs WMO Gust Direction.

Maximum Gust Direction shall be computed over a block of m vector averages as follows:

$$rwa_max_gust_dir = \arctan\left(\frac{u_avg_k}{v_avg_k}\right)$$

Where: k = index of *gust_mag* selected for *rwa_max_gust_mag* defined above

$$u_avg_k = k^{th} \text{ u-vector average defined above}$$

$$v_avg_k = k^{th} \text{ v-vector average defined above}$$

Result e.g. 123 (degrees).

CGDIR - Corrected Gust Direction

GPS corrected Gust Direction.

Result e.g. 135 (degrees).

AVGDIR (WMO) - Average Direction

Outputs WMO Average Direction Wind reading based on AVG short and AVG long settings (see page 61).

Result e.g. 145 (degrees).

A short term average direction shall be computed every *rwa_short_len* samples as follows:

$$dir_st = \arctan\left(\frac{u_st}{v_st}\right)$$

Where: *u_st* = short-term average *u* – vector defined above

v_st = short-term average *v* – vector defined above

A long term average direction shall be computed every *rwa_long_len* samples as follows:

$$rwa_direction = \arctan\left(\frac{u_lt}{v_lt}\right)$$

Where: $u_lt = \frac{\sum_{n=1}^M u_st_n}{M}$

$$v_lt = \frac{\sum_{n=1}^M v_st_n}{M}$$

u_st_n = *n*th short-term *u*-vector average defined above

v_st_n = *n*th short-term *v*-vector average defined above

AVGCDIR (WMO) - Average Corrected Direction

Outputs WMO average Compass Corrected Direction wind reading based on AVG short and AVG long settings (see page 61).

Result e.g. 131 (degrees).

PRESS - Pressure

Outputs the MaxiMet Pressure reading.

Result e.g. 1021.3 (hectopascals default).

PASL Pressure at Sea Level

Outputs Barometric Pressure at Sea Level if HASL figure set (see page 63).

$$P = Pb \left(\frac{Tb}{Tb + Lb \times (-h)} \right)^{\frac{g0 \times M}{R \times Lb}}$$

Where: P = adjusted pressure

Pb = pressure (pascals) - as measured by the pressure sensor

Tb = temperature (K)

Lb = standard temperature lapse rate (K/m) in ISA. For the Troposphere this is assumed to be - 0.0065 Kelvin/metre.

h = height (meters) = sensor's height above (or below) sea level, i.e. 'Height Above Sea Level' plus 'Height Above Station'

R = universal gas constant for air: 8.31432 N•m / (mol•K)

$g0$ = gravitational acceleration (9.80665 m/s²)

M = molar mass of Earth's air (0.0289644 kg/mol)

Result e.g. 1015.7 (hectopascals default).

PSTN - Pressure at Station

Outputs Barometric Pressure at Station (which can be positioned anywhere) if HASTN figure set (see below and page 63).

Pressure at station shall be computed as:

$$P = Pb \left(\frac{Tb}{Tb + Lb \times (-h)} \right)^{\frac{g0 \times M}{R \times Lb}}$$

Where: P = adjusted pressure

Pb = pressure (pascals) - as measured by the pressure sensor

Tb = temperature (K)

Lb = standard temperature lapse rate (K/m) in ISA. For the Troposphere this is assumed to be - 0.0065 Kelvin/metre.

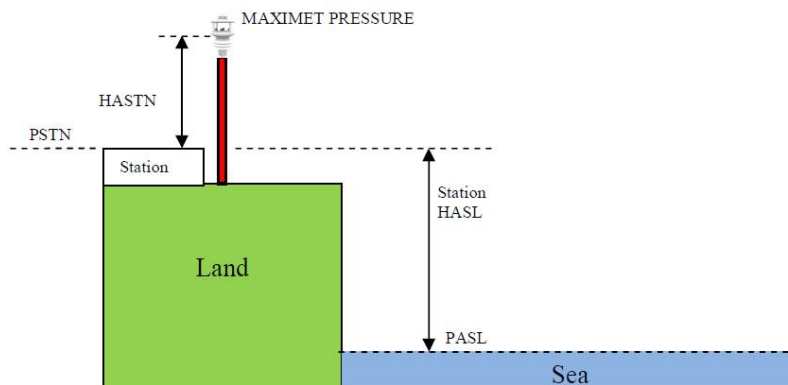
h = height (meters) = 'Height Above Station', i.e. the difference between the sensor height above (or below) local ground level.

R = universal gas constant for air: 8.31432 N•m / (mol•K)

$g0$ = gravitational acceleration (9.80665 m/s²)

M = molar mass of Earth's air (0.0289644 kg/mol)

Result e.g. 1001.2 (hectopascals default).



RH - Relative Humidity

Outputs the measured Relative Humidity reading in %.

Result e.g. 028 (%).

AH - Absolute Humidity

The humidity of the atmosphere, usually expressed as the number of grams of water contained in 1 cubic metre of air.

Note: Relative Humidity also output, expressed as a percent, measures the current absolute humidity relative to the maximum for that temperature).

Absolute humidity shall be computed as:

$$H = \frac{C \times P_w}{T}$$

Where: H = absolute humidity
 C = Constant 2.16679 gK/J
 P_w = Vapour pressure in Pa
 T = Temperature in K

Result e.g. 08.14 g/m³.

TEMP - Temperature

Outputs MaxiMet Temperature sensor readings.

Result e.g. 022.0 (°C default).

DEWPOINT - Dewpoint

Outputs calculated Dewpoint from Temperature and Humidity readings.

$$Td = \frac{Tn}{Y - 1}$$

Where: Td = Dewpoint temperature
 Tn = Triple point temperature (in K)

$$Y = \frac{m}{\log_{10} P_w / A}$$

$$P_w = \frac{P_{ws} \cdot RH}{100} \text{ (hPa)}$$

P_{ws} = water vapour saturation pressure (hPa)

Result e.g. +023.1 (°C default).

PRECIPT -*Precipitation Total*

Outputs Precipitation (Rain) Total reading. This is an accumulated rain reading, updated and output once per second (with default output rate setting at 1Hz).

Parameter is set to zero on MaxiMet power up and is reset to zero when the clock reads 23:59:59 to 00 (midnight) and is the default setting.

For continuous measurement, turn off auto-reset of Total Precipitation using MetSet.

Result e.g. 00000.400 (millimetres default).

PRECIPI - *Precipitation Intensity*

Outputs Precipitation (Rain) Intensity. It is the sum of the last sixty lots of 1 minute accumulated Rain data. A new sum measurement is generated every minute.

Parameter will be set to zero on MaxiMet power up.

Result e.g. 000.200 (millimetres default).

PRECIPS - *Precipitation Status*

Outputs Precipitation (Rain) Status as N or Y (No or Yes). Changes N to Y when total precipitation is incremented and changes Y to N when total precipitation has not incremented in the last 60 seconds.

Result e.g. N (or Y).

SOLARRAD - *Solar Radiation figure*

Measures solar radiation over the range 0-1600 in W/m².

Result e.g. 0243.

SOLARHOURS *Sunshine Hours*

Sunshine hours are computed as the period of time, in hours, within a 24 hour calendar day (i.e.: accumulated during the present day) that the measured irradiance exceeds 120 W/m².

Sunshine hours shall be displayed with 2 integral digits and 2 decimal places.

Result e.g. 01.02 (hours).

WCHILL - *Wind Chill*

The perceived decrease in air temperature felt by the body on exposed skin due to the flow of air.

See WMO Document TD-1184.

$$W = 13.12 + 0.6215 * T_{air} - 11.37 * V_{10metre}^{0.16} + 0.3965 * T_{air} * V_{10metre}^{0.16}$$

Where:-

W = the WindChill index based on Celcius Temperature scale.

T_{air} = The air temperature in Degrees Celcius.

V_{10metre} = the Wind speed at 10 Metres (standard anemometer height) in kilometres/hour.

Result e.g. -012 (°C default).

Note: Wind Chill is only reported when the temperature is below 10°C and the wind speed is at least 1.5m/s.

HEATIDX - Heat Index

What the temperature feels like to the human body when relative humidity is combined with the air temperature (also known as apparent temperature).

Simple Heat Index is defined as:

$$HI\ s = 0.5 * \{T + 61.0 + [(T-68.0)*1.2] + (RH*0.094)\}$$

where: HI s = Simple Heat Index expressed as an apparent temperature in degrees F.

T = MaxiMet Temperature in degrees F.

RH = MaxiMet Relative Humidity in percent.

Rothfusz Heat Index is defined as:

$$HI\ r = -42.379 + 2.04901523*T + 10.14333127*RH - 0.22475541*T*RH - 0.00683783*T*T - 0.05481717*RH*RH + 0.00122874*T*T*RH + 0.00085282*T*RH*RH - 0.00000199*T*T*RH*RH$$

See http://www.wpc.ncep.noaa.gov/html/heatindex_equation.shtml

where: HI r = Rothfusz Heat Index expressed as an apparent temperature in degrees F.

T = MaxiMet Temperature in degrees F.

RH = MaxiMet Relative Humidity in percent.

Rothfusz Adjustment is defined as follows:

If the Relative Humidity is less than 13% and the Temperature is above 80 and below 112 degrees F (above 26.66 and below 44.44 °C):

$$R\ Adj = -[(13-RH)/4]*SQRT\{[17-ABS(T-95.)/17]\}$$

where: R Adj = Rothfusz Adjustment,

T = MaxiMet Temperature in degrees F,

RH = MaxiMet Relative Humidity in percent,

ABS and SQRT are the absolute value and square root functions, respectively.

If the Relative Humidity is greater than 85% and the Temperature is above 80 and below 87 degrees F (above 26.66 and below 30.55 °C).

$$R\ Adj = [(RH-85)/10] * [(87-T)/5]$$

where: R Adj = Rothfusz Adjustment.

T = MaxiMet Temperature in degrees F.

RH = MaxiMet Relative Humidity in percent.

If Relative Humidity and Temperature conditions are outside the two bands defined above:

$$R\ Adj = 0$$

where: R Adj = Rothfusz Adjustment

When $HI\ s \geq (HI\ r + R\ Adj)$, MaxiMet Heat Index shall be: $HI = HI\ s$

where: HI = MaxiMet Heat Index expressed as an apparent temperature in degrees F,

HI s = Simple Heat Index expressed as an apparent temperature in degrees F

When $HI\ s < (HI\ r + R\ Adj)$, MaxiMet Heat Index shall be: $HI = HI\ r + R\ Adj$

where: HI = MaxiMet Heat Index expressed as an apparent temperature in degrees F,

HI r = Rothfusz Heat Index expressed as an apparent temperature in degrees F,

R Adj = Rothfusz Adjustment.

Result e.g. +028 (°C default).

Note: Heat Index is only reported when the temperature is above 75°F (approximately 23.88°C) and both Relative Humidity and Temperature are functioning.

AIRDENS - Air Density

Outputs calculated Air Density from Pressure and Temperature readings.

$$\text{Density} = \frac{P}{R \times T}$$

Where: P = measured absolute pressure in Pa

R = the gas constant (287.05 Jkg⁻¹K⁻¹)

T = Temperature in K

Result e.g. 1.0 (kgm⁻³).

WBTEMP - Wet Bulb Temperature

The temperature a parcel of air would have if it were cooled to saturation (100% relative humidity) by the evaporation of water into it, with the latent heat being supplied to the parcel.

Result e.g. -012.3 (°C default).

For temperatures between -20 and 50 °C and RH humidity ranges of 5 and 99%, wet bulb temperature shall be computed as:

$$T_w = T \operatorname{atan}[0.151977(\text{RH}\% + 8.313659)^{1/2}] + \operatorname{atan}(T + \text{RH}\%) - \operatorname{atan}(\text{RH}\% - 1.676331) + 0.00391838(\text{RH}\%)^{3/2} \operatorname{atan}(0.023101\text{RH}\%) - 4.686035.$$

where:

T_w = wet bulb temperature in °C,

T = air temperature in °C,

RH% = relative humidity.

Note: The calculation is based on a mean sea level pressure of 1013.25 hPa (according to the International Civil Aviation Organization).

Outside temperatures between -20 °C and 50 °C and RH humidity ranges of 5 and 99%, wet bulb temperature shall not be computed

SUNR - Sunrise

The time instant in the morning when the upper edge of the Sun's disc is coincident with the horizon.

Result e.g. 07:55

Note: The installation longitude and latitude must be configured using MetSet for correct readings together with location date and time.

SNOON - Solar Noon Time

Defined for a given day and a specific longitude, it is the time when the sun crosses the meridian of the observer's location. At solar noon, a shadow cast by a vertical pole will point either directly north or directly south depending on the observer's latitude and the time of year.

<http://www.esrl.noaa.gov/gmd/grad/solcalc/glossary.html>

Result e.g. 11:56.

Note: The installation longitude and latitude must be configured using MetSet for correct readings together with location date and time.

SUNS - *Sunset*

The time instant in the evening when the upper edge of the Sun's disc is coincident with the horizon.

Result e.g. 15:57

Note: The installation longitude and latitude must be configured using MetSet for correct readings together with location date and time.

SUNP - *Position of the Sun*

A function of date, time and the geographic coordinates of the observer on the surface of the Earth.

As the Earth moves around the Sun during the course of the year, the Sun appears to move with respect to the fixed stars on the celestial sphere, along a path called the "ecliptic". The Earth's rotation about its axis causes the fixed stars to move in the sky in a way that depends on the observer's geographic latitude.

https://en.wikipedia.org/wiki/Position_of_the_Sun, <https://en.wikipedia.org/wiki/Analemma>

Result e.g. 021:-61 (Azimuth and Elevation in degrees)

Note: The installation longitude and latitude must be configured using MetSet for correct readings together with location date and time.

TWIC - *Twilight Civil*

Begins in the morning, or ends in the evening, when the geometric centre of the Sun is 6 degrees below the horizon.

Beginning of Morning Twilight (Civil): Defined as the instant in the morning, when the centre of the Sun is at a depression angle of six degrees (6°) below an ideal horizon. At this time in the absence of moonlight, artificial lighting or adverse atmospheric conditions, the illumination is such that large objects may be seen but no detail is discernible. The brightest stars and planets can be seen and for navigation purposes at sea, the sea horizon is clearly defined.

End of Evening Twilight (Civil): Defined as the instant in the evening, when the centre of the Sun is at a depression angle of six degrees (6°) below an ideal horizon. At this time in the absence of moonlight, artificial lighting or adverse atmospheric conditions, the illumination is such that large objects may be seen but no detail is discernible. The brightest stars and planets can be seen and for navigation purposes at sea, the sea horizon is clearly defined.

Result e.g. 07:10

Note: The installation longitude and latitude must be configured using MetSet for correct readings.

TWIN - *Twilight Nautical*

Begins in the morning, or ends in the evening, when the geometric centre of the Sun is 12 degrees below the horizon.

Beginning of Morning Twilight (Nautical): Defined as the instant in the morning, when the centre of the Sun is at a depression angle of twelve degrees (12°) below an ideal horizon. At this time in the absence of moonlight, artificial lighting or adverse atmospheric conditions, it is dark for normal practical purposes. For navigation purposes at sea, the sea horizon is not normally visible.

End of Evening Twilight (Nautical): Defined as the instant in the evening, when the centre of the Sun is at a depression angle of twelve degrees (12°) below an ideal horizon. At this time in the absence of moonlight,

artificial lighting or adverse atmospheric conditions, it is dark for normal practical purposes. For navigation purposes at sea, the sea horizon is not normally visible.

Result e.g. 06:28

Note: The installation longitude and latitude must be configured using MetSet for correct readings.

TWIA - *Twilight Astronomical*

Begins in the morning, or ends in the evening, when the geometric centre of the Sun is 18 degrees below the horizon.

Beginning of Morning Twilight (Astronomical): Defined as the instant in the morning, when the centre of the Sun is at a depression angle of eighteen degrees (18°) below an ideal horizon. At this time the illumination due to scattered light from the Sun is less than that from starlight and other natural light sources in the sky.

End of Evening Twilight (Astronomical): Defined as the instant in the evening, when the centre of the Sun is at a depression angle of eighteen degrees (18°) below an ideal horizon. At this time the illumination due to scattered light from the Sun is less than that from starlight and other natural light sources in the sky.

Result e.g. 05:49

Note: The installation longitude and latitude must be configured using MetSet for correct readings.

XTILT - *X Tilt*

X-Tilt shall be displayed in degrees with 2 signed integral digits over the range ±89 degrees.

With respect to the MaxiMet north marker:

+XX shall indicate that the unit is tipping towards east.

-XX shall indicate that the unit is tipping towards west.

Result e.g. +01 -01
 +10 -10

YTILT - *Y Tilt*

Y-Tilt shall be displayed in degrees with 2 signed integral digits over the range ±89 degrees.

+YY shall indicate that the unit is tipping towards north.

-YY shall indicate that the unit is tipping towards south.

Result e.g. +01 -01
 +10 -10

ZORIENT - *Z Orient*

Z-Orientation shall be displayed as +1 or -1.

+1 (normal upright position (+- 90 degrees)).

-1 (inverted position (+- 90 degrees)).

Result e.g. +1 -1

CHECKTILT - *Check Tilt*

Units with an Inclinometer have a more accurate X and Y Tilt 4 Hz output that can be configured with a PC terminal program during installation if required (see para 6.8).

X-Tilt shall be displayed in degrees with up to 2 integral digits and a decimal point over the range 89.9°/-89.9°.

Result e.g.	88.9	-88.9
	8.9	-8.9
	0.9	-0.9

Y-Tilt shall be displayed in degrees with up to 2 integral digits and a decimal point over the range 89.9°/-89.9°.

Result e.g.	88.9	-88.9
	8.9	-8.9
	0.9	-0.9

Z-Orientation shall be displayed as 1 (upright) or -1 (inverted).

Result e.g. 1 -1

Compass Heading shall be displayed in degrees (000-359) on wind output units.

Result e.g. 001.

COMPASSH - *Compass Heading*

North direction read out from the MaxiMet compass.

Result e.g. 139 (degrees).

GPSHEADING - *GPS Enabled Heading*

GPS Heading shall be displayed with 3 integral digits.

Result e.g. 064 (degrees).

GPSSPEED - *GPS Speed over Ground*

Velocity at which the MaxiMet unit with GPS is travelling over ground.

Result e.g. +000.10 (metres/second (default)).

In feet/minute setting then a reading might be 00020 (no decimal places).

GPSLOCATION - *GPS Latitude, Longitude and Height*

Result e.g. +50.762956:-001.539948:+4.90.

Where: +50.762956 is latitude (± 90 degrees north/south), positive latitude equals north.

-001.539948 is longitude (± 180 degrees east/west), negative longitude equals west.

+4.90 is height. Using GPS means that regardless of whether a station is located on a mountain or on the coastline of a country it is possible to compare pressure readings without any further calculations as the GPS information gives the height information needed to calculate the difference in elevation to sea level and then it is possible to correct the reading for it.

If GPS lock is lost, location reverts to set value or to GMT so the current location should be set manually.

GPSSTATUS - Location Fix and Number of Satellites

Result e.g. 010B.

Where: 0 is padding.

1 is GPS SPS mode fix valid (0 is fix not available).

0B is a hexadecimal representation of the number of satellites acquired, 11 satellites found. 0A would be 10 satellites etc.

TIME (and Date) - MaxiMet Date and Time (can be updated by GPS Option)

Time can be set manually by the user or updated by the GPS Module (if fitted). GPS time can be automatically updated every hour (GPS default setting).

By default time will be UTC.

Result e.g. 2015-06-04T10:01:36.8.

VOLT - Supply Voltage

DC Supply voltage measured at the MaxiMet.

Result e.g. +10.5 (volts).

STATUS - Status of MaxiMet Sensors

Outputs the MaxiMet Sensors Status Code.

Result e.g. 0000 (see para 8.3).

WINDSTAT - Status of Wind Sensor in detail

Outputs status codes relating to wind sensor data.

Result e.g. 0000 (see para 8.3).

USERINF - User Information Field

The User Information field shall have a maximum size of 16 characters, comprised of printable ASCII characters (to exclude "@", ";", "*", "% and "?").

Note: Space character may be included.

This field allows for instance to record installation or calibration dates.

Result e.g. CAL DUE 15.08.18

9.2. Glossary & Abbreviations

Item	Meaning
CAL	Calibration
CR	Carriage Return
CRLF	Carriage Return Line Feed
CSV	Comma Separated Variable
ENG	Engineering
ESC	ESCape key on keyboard.
ETX	End of string character
fpm	Feet per minute
GND	GrouND
HEX	HEXadecimal
I/P	InPut
IP66	Protection Classification
KPH	Kilometres per Hour
LF	Line Feed
m/s	Metres per Second
MAG	MAGnitude - scalar reference to wind speed
MAX	MAXimum
MIN	MINimum
MPH	Miles per Hour
NMEA 0183 (V3)	National Marine Electronics Association
No:	Number
NVM	Non-Volatile Memory
O/P	Output
PC	IBM compatible Personal Computer
PCB	Printed Circuit Board
ROM	Read Only Memory
RS232	Communications standard
RS422	Communications standard
RS485	Communications standard
RWA	Road Weather Averaging
RX	Receive
RXD	Received Data
S/W	Software
SDI-12	Serial Data Interface
SEC	SECond
STX	Start of string character
TERM	TERMinal
TX	Transmit
TXD	Transmitted Data
+VE	Positive
-VE	Negative
WRT	With Respect To

9.3. Electrical Conformity

EU Declaration of Conformity

We
Of
Gill Instruments Limited
Saltmarsh Park
67 Gosport Street
Lymington
SO41 9EG
England



In accordance with the following CE Directives:



2014-30-EU (Electromagnetic Compliance - EMC)
2011-65-EU (Restriction of Hazardous Substances - RoHS)

Hereby declare under our sole responsibility that the following products have been designed and where appropriate, manufactured and tested in accordance with the applicable requirements of the following European harmonised standards and where applicable, IEC Standards:

1957 MaxiMet

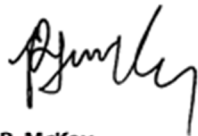
EMC Emissions & Immunity

EN60945:2002 (Section 11.2)
EN61326-2-1:2013
ETSI EN301-489-1 V1.9.2

Restriction of Hazardous Substances

EN50581:2012

Signed by:



Print Name: **R. McKay**

Position: **Product Manager**

Date of Issue: **14th February 2017**

Place of Issue: **Gill Instruments Ltd, Lymington**

Change Note: **9085**

Doc No: **1957-014**

Issue: **02**

Date: **14/02/2017**