

## WI-FI WEATHER STATION WLAN-WETTERSTATION

Professional Wi-Fi Weather Station with 7-in-1 Multisensor  
Professionelle WLAN-Wetterstation mit 7in1-Multisensor

Art. No. WSX3001000000  
7803510  
7902541



**DE** Besuchen Sie unsere Website über den folgenden QR Code oder Weblink um weitere Informationen zu diesem Produkt oder die verfügbaren Übersetzungen dieser Anleitung zu finden.

**GB** Visit our website via the following QR Code or web link to find further information on this product or the available translations of these instructions.

**FR** Si vous souhaitez obtenir plus d'informations concernant ce produit ou rechercher ce mode d'emploi en d'autres langues, rendez-vous sur notre site Internet en utilisant le code QR ou le lien correspondant.

**NL** Bezoek onze internetpagina via de volgende QR-code of weblink, voor meer informatie over dit product of de beschikbare vertalingen van deze gebruiksaanwijzing.

**ES** ¿Desearía recibir unas instrucciones de uso completas sobre este producto en un idioma determinado? Entonces visite nuestra página web utilizando el siguiente enlace (código QR) para ver las versiones disponibles.

**IT** Desidera ricevere informazioni esaustive su questo prodotto in una lingua specifica? Venga a visitare il nostro sito Web al seguente link (codice QR Code) per conoscere le versioni disponibili.



[www.bresser.de/PWSX300100000](http://www.bresser.de/PWSX300100000)



[www.bresser.de/P7803510](http://www.bresser.de/P7803510)



[www.bresser.de/P7902541](http://www.bresser.de/P7902541)



**GARANTIE · WARRANTY · GARANTÍA · GARANZIA**



[www.bresser.de/warranty\\_terms](http://www.bresser.de/warranty_terms)

## RECYCLAGE (TRIMAN/France)



**FR**  
Cet appareil,  
ses accessoires  
et cordons  
se recyclent

**FR**  
A DÉPOSER  
EN MAGASIN

**FR**  
A DÉPOSER  
EN DÉCHÈTERIE

Points de collecte sur [www.quefairede mesdechets.fr](http://www.quefairede mesdechets.fr)  
Privilégiez la réparation ou le don de votre appareil !



Product	Art.No.
Base station + 7-in-1 Sensor + TH Sensor	WSX3001000000
Only 7-in-1 Sensor (Type: 7803510/HC1)	7803510
Only Base station	7902541

## WORKS WITH:



<https://weathercloud.net>



<https://www.wunderground.com>



<https://www.awekas.at>

Weather Underground is a registered trademark of The Weather Channel, LLC. both in the United States and internationally. The Weather Underground Logo is a trademark of Weather Underground, LLC. Find out more about Weather Underground at [www.wunderground.com](http://www.wunderground.com)

## WU APP DOWNLOAD:



Apple and the Apple logo are trademarks of Apple Inc., registered in the U.S. and other countries. App Store is a service mark of Apple Inc., registered in the U.S. and other countries.

Google Play and the Google Play logo are trademarks of Google Inc.

<b>GB</b>	<b>INSTRUCTION MANUAL .....</b>	<b>4</b>
<b>DE</b>	<b>BEDIENUNGSANLEITUNG .....</b>	<b>33</b>

## ABOUT THIS INSTRUCTION MANUAL

---



These operating instructions are to be considered a component of the device.

Please read the safety instructions and the operating instructions carefully before use.

Keep these instructions for renewed use at a later date. When the device is sold or given to someone else, the instruction manual must be provided to the new owner/user of the product.



This symbol represents a warning. To ensure safe use, always adhere to the instructions described in this documentation.



This symbol is followed by a user's tip.



### GENERAL WARNINGS

- **Risk of electric shock** — This device contains electronic components that operate via a power source (batteries). Children should only use the device under adult supervision. Only use the device as described in the manual; otherwise, you run the risk of an electric shock.
- **Choking hazard** — Children should only use the device under adult supervision. Keep packaging material, like plastic bags and rubber bands, out of the reach of children, as these materials pose a choking hazard.
- **Risk of chemical burn** — Keep batteries out of the reach of children! Make sure you insert the batteries correctly. Leaking battery acid can lead to chemical burns. Avoid contact of battery acid with skin, eyes and mucous membranes. In the event of contact, rinse the affected region immediately with a plenty of water and seek medical attention.
- **Risk of fire/explosion** — Do not expose the device to high temperatures. Use only the recommended batteries. Do not short-circuit the device or batteries, or throw them into a fire. Excessive heat or improper handling could trigger a short-circuit, a fire, or an explosion.
- Do not disassemble the device. In the event of a defect, please contact your dealer. The dealer will contact the Service Centre and can send the device in to be repaired, if necessary.
- Use only the recommended batteries. Always replace weak or empty batteries with a new, complete set of batteries at full capacity. Do not use batteries from different brands or with different capacities. The batteries should be removed from the unit if it has not been used for a long time.

### SCOPE OF DELIVERY

Base station, 7-in-1 Multisensor, Thermo-Hygro Indoor sensor, AC/DC adapter (5V)

### BEFORE YOU BEGIN

- We recommend using alkaline batteries. If temperatures regularly fall below 0°C (32°F), we recommend using lithium batteries.
- Avoid using rechargeable batteries. (Rechargeable batteries cannot maintain correct power requirements.)
- Insert batteries before first use, matching the polarity in the battery compartment. Connect the AC/DC adapter with the Base station and insert 3x AAA batteries as backup power. 3x AA batteries are required for the 7-in-1 Multisensor and 2x AA batteries for the Thermo-Hygro indoor sensor.

## TABLE OF CONTENTS

ABOUT THIS INSTRUCTION MANUAL . . . . .	4
GENERAL WARNINGS . . . . .	4
SCOPE OF DELIVERY . . . . .	4
BEFORE YOU BEGIN . . . . .	4
INTRODUCTION . . . . .	1
OVERVIEW . . . . .	1
CONSOLE . . . . .	1
LCD DISPLAY . . . . .	2
WIRELESS 7-IN-1 SENSOR . . . . .	3
INSTALLATION AND SETUP . . . . .	3
INSTALL WIRELESS 7-IN-1 SENSOR . . . . .	3
SETUP THE CONSOLE . . . . .	9
SYNCHRONIZING ADDITIONAL WIRELESS SENSOR(S) (OPTIONAL) . . . . .	10
POINTING THE WIRELESS 7-IN-1 SENSOR TO SOUTH . . . . .	10
CREATE WEATHER SERVER ACCOUNT & SETUP WI-FI CONNECTION . . . . .	11
CREATE WEATHER UNDERGROUND ACCOUNT . . . . .	11
CREATE WEATHERCLOUD ACCOUNT . . . . .	12
SETUP WI-FI CONNECTION . . . . .	14
CREATE AWEKAS ACCOUNT . . . . .	14
SETUP THE WEATHER SERVER CONNECTION . . . . .	15
ADVANCE SETTING IN WEB INTERFACE . . . . .	16
VIEW YOUR WEATHER DATA IN WUNDERGROUND . . . . .	17
VIEWING YOUR WEATHER DATA IN WEATHERCLOUD . . . . .	17
FIRMWARE UPDATE . . . . .	18
OTHER SETTING & FUNCTIONS OF THE CONSOLE . . . . .	18
SETTING ALARM TIME . . . . .	19
ACTIVATING ALARM AND TEMPERATURE PRE-ALARM FUNCTION . . . . .	20
TEMPERATURE / HUMIDITY FUNCTION . . . . .	20
TREND INDICATOR . . . . .	21
WIND . . . . .	21
WEATHER INDEX . . . . .	22
WEATHER FORECAST . . . . .	23
BAROMETRIC PRESSURE . . . . .	24
RAIN . . . . .	24
LIGHT INTENSITY, UV INDEX & SUNBURN TIME . . . . .	25
MAX / MIN DATA RECORD . . . . .	25
PAST 24 HOURS HISTORY DATA . . . . .	26
WEATHER ALERT SETTING . . . . .	26
BACKLIGHT . . . . .	27
DISPLAY CONTRAST . . . . .	27
MAINTENANCE . . . . .	27
BATTERY REPLACEMENT . . . . .	27
WIRELESS 7-IN-1 SENSOR MAINTENANCE . . . . .	28
TROUBLESHOOT . . . . .	28
SPECIFICATIONS . . . . .	29
CONSOLE . . . . .	29
WIRELESS 7-IN-1 SENSOR . . . . .	31
WIRELESS THERMO-HYGROMETER SENSOR . . . . .	32
EC DECLARATION OF CONFORMITY . . . . .	32
NOTES ON CLEANING . . . . .	32
DISPOSAL . . . . .	32
WARRANTY & SERVICE . . . . .	32

## INTRODUCTION

Thank you for selecting WI-FI weather station with 7-in-1 professional sensor. This system gathers and automatically uploads accurate and detail weather data to Weather Underground and Weathercloud website - the famous weather service which allows weather observers to upload their local weather data with automated personal weather stations (PWS) - at which you can access and upload your weather data freely. This product offers professional weather observers or serious weather enthusiasts robust performance with a wide range of options and sensors. You will get your own local forecast, high/lows, totals and averages for virtually all weather variables without using a PC / Mac.

The 7-in-1 sensor which measures outdoor temperature, humidity, wind, rain UV and Light together with up to 7 individual temperature humidity sensors, which can add to a sensor array of maximum 7 units continually, transmits weather data to the console. Both sensors are fully assembled and calibrated for your easy installation. They send data at a low power radio frequency to the console from up to 150m/450 feet away (line of sight).

In the console, high-speed processors are embedded to analyze the received weather data and these real-time data can be published to [Wunderground.com](http://Wunderground.com) and [weathercloud.net](http://weathercloud.net) through your home Wi-fi router. The console can also synchronize with internet time server to show high precision time and for its weather data time stamp. The color LCD display shows informative weather readings with advanced features, such as high/low alert alarm, different weather index, and MAX/MIN records. With calibration, sunrise / sunset and moon phase features, this system is truly a remarkably personal yet professional weather station for your own backyard.

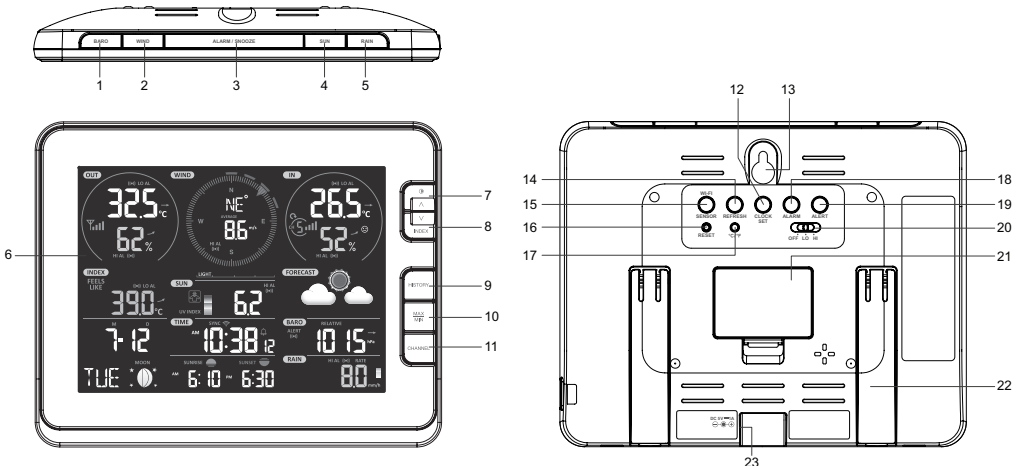


### NOTE:

This instruction manual contains useful information on the proper use and care of this product. Please read this manual through to fully understand and enjoy its features, and keep it handy for future use.

## OVERVIEW

### CONSOLE

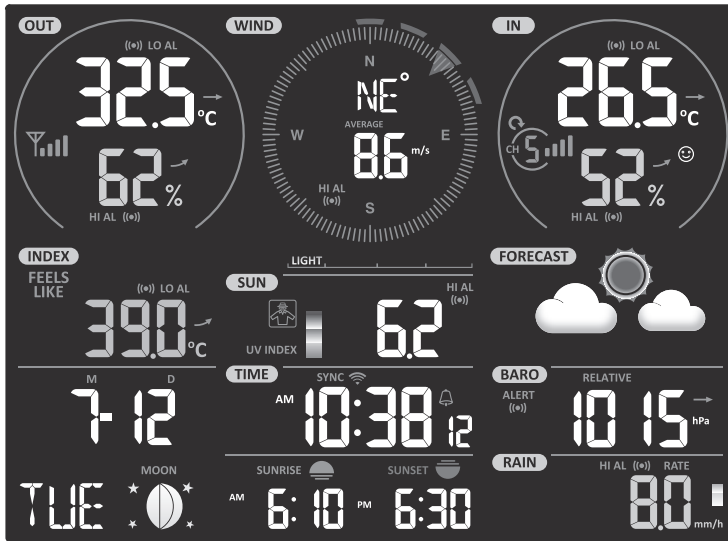


1. [ **BARO** ] key
2. [ **WIND** ] key
3. [ **ALARM/SNOOZE** ] key
4. [ **SUN** ] key
5. [ **RAIN** ] key
6. LCD display
7. [ **☉ / ▲** ] key
8. [ **INDEX / ▼** ] key

9. [ **HISTORY** ] key
10. [ **MAX / MIN** ] key
11. [ **CHANNEL** ] key
12. [ **CLOCK SET** ] key
13. Wall mounting holder
14. [ **REFRESH** ] key
15. [ **SENSOR / WI-FI** ] key
16. [ **RESET** ] key

17. [ **°C / °F** ] key
18. [ **ALARM** ] key
19. [ **ALERT** ] key
20. [ **OFF / HI / LO** ] slide switch
21. Battery door
22. Table stand
23. Power jack

## LCD DISPLAY

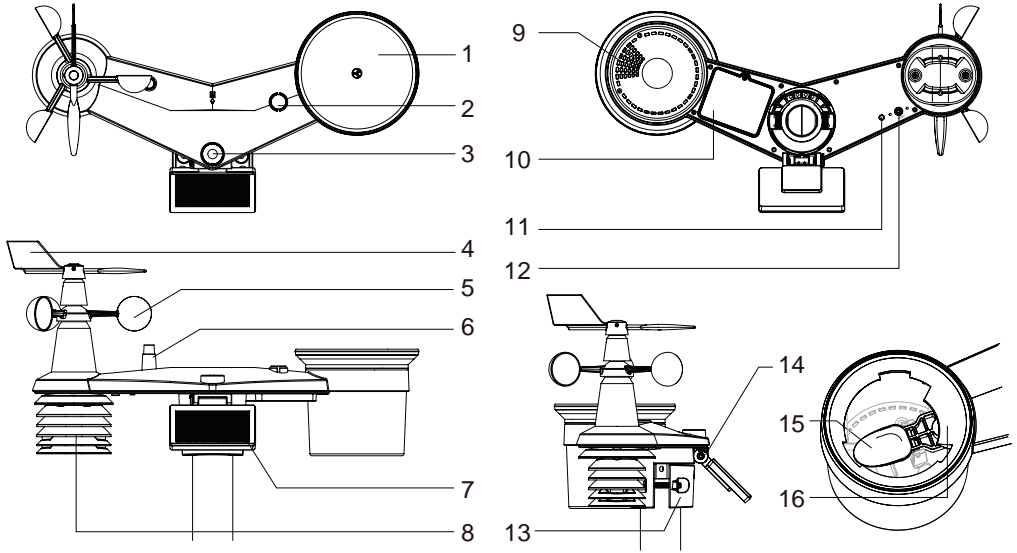


1	2	3
4	5	6
7	8	9
	10	11

Display section:

1. Outdoor temperature & humidity
2. Wind direction & speed
3. Indoor (Ch) temperature & humidity
4. Weather index
5. UV index & light intensity (SUN)
6. Weather forecast
7. Calendar & moon phase
8. Time / alarm
9. Barometer
10. Sunrise & sunset time
11. Rainfall & Rain rate

## WIRELESS 7-IN-1 SENSOR



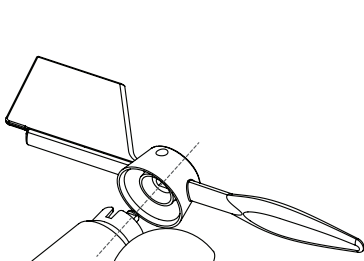
- |                       |   |                                     |
|-----------------------|---|-------------------------------------|
| 1. Rain collector     | 7. Solar panel                              | 12. [ RESET ] key                   |
| 2. Balance indicator  | 8. Radiation shield and thermo-hygro sensor | 13. Mounting clamp                  |
| 3. UVI / light sensor | 9. Drain holes                              | 14. Adjustable hinge of solar panel |
| 4. Wind vane          | 10. Battery door                            | 15. Tipping bucket                  |
| 5. Wind cups          | 11. Red LED indicator                       | 16. Rain sensor                     |
| 6. Antenna            |   |                                     |

## INSTALLATION AND SETUP

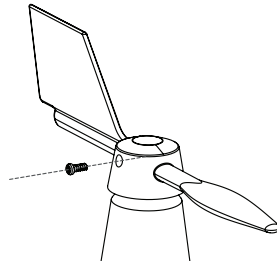
### INSTALL WIRELESS 7-IN-1 SENSOR

#### INSTALL WIND VANE

With reference to photo below, (a) locate and align the flat area on the wind vane shaft to the flat surface on the wind vane and push the vane onto the shaft. (b) tighten the set screw with a precision screwdriver.



Step 1

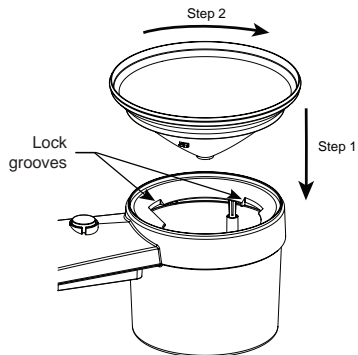


Step 2



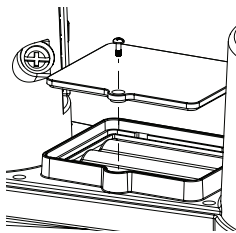
## INSTALL RAIN GAUGE FUNNEL

Install the rain gauge funnel and rotate clockwise to lock the funnel to the sensor array



## INSTALL BATTERIES

Unscrew the battery door at bottom of unit. Insert the 3 AA batteries (non-rechargeable) according to the +/- polarity indicated. The red LED indicator on the back of the sensor array will turn on, and then begin flashing every 12 seconds.



## ADJUST THE SOLAR PANEL

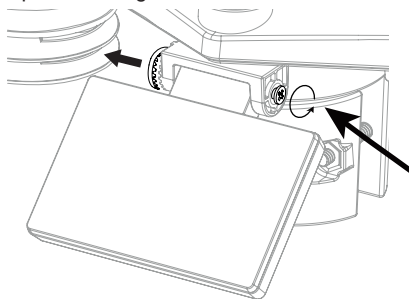
The tilting angle of solar panel can be adjusted vertically from 0° into 15°, 30°, 45° and 60° positions depending on the area you are living in. For optimal power output year-round, please set the tilt angle that is closest to your latitude.

E.g.,

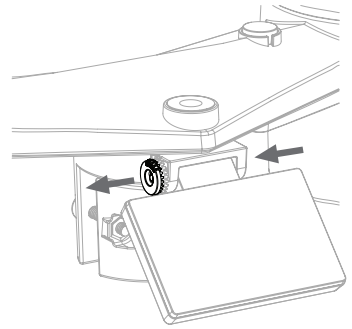
Location (latitude, longitude)	Solar panel tilt angle	
Hamburg (53.558, 9.7874)	60°	
Chicago (42.1146, -88.0464)	45°	
Houston (29.7711, -95.3552)	30°	
Bangkok (14.2752, 100.5684)	15°	
Sydney (-33.5738, 151.3053) *	30°	

\*Sensors installed in Southern Hemisphere must have their solar panels facing North.

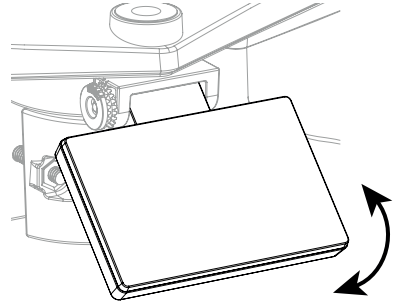
Step 1: Loosen the screw lightly until the gears on the opposite side separated from lock position.



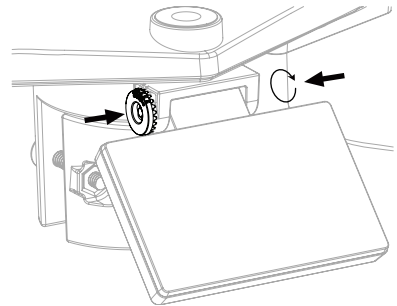
Step 2: Push the screw inward until the gears on the opposite side separated from lock position.



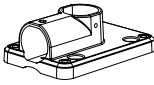

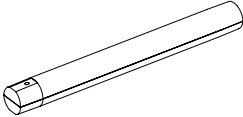






Step 3: Adjust the vertical angle of the solar panel (0°, 15°, 30°, 45°, 60°) according to the latitude of your location.



Step 4: Push the gear and tighten the screw until the gears are securely locked.



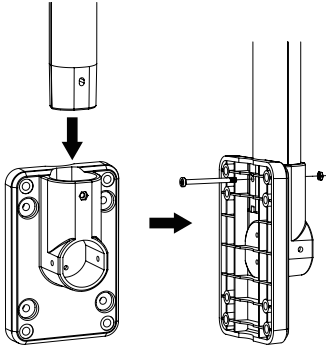
## MOUNTING KIT INSTALLATION

		
1. Pole mounting stand x 1	2. Mounting clamp x 1	3. Plastic pole x 1
		
4. screws x 4	5. Hex nuts x 4	6. Flat washers x 4
		
7. screw x 1	8. Hex nut x 1	9. Rubber pads x 4

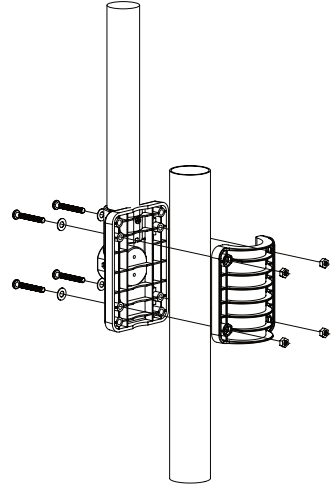
## PLASTIC MOUNTING INSTALLATION

1. Fasten the plastic pole onto your fix pole with mounting base, clamp, washers, screws and nuts. Following below 1a, 1b, 1c sequences:

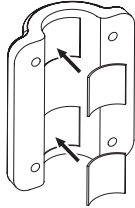
1a. Insert the plastic pole into the hole of the mounting stand, and then secure it with the screw and nut.



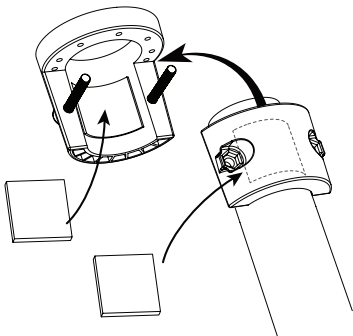
1c. Fasten the mounting stand and clamp together onto a fix pole with 4 long screws and nuts.



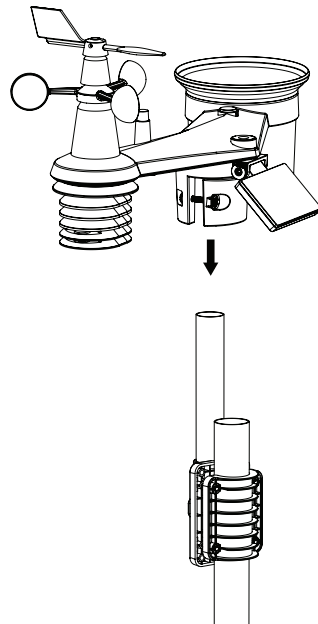
1b. Apply 2 rubber pads on the mounting clamp.



2. Apply 2 rubber pads on the inner sides of the mounting base and clamp of the sensor-array, and loosely fasten them together.



3. Place the sensor-array over the mounting pole and align it to North direction before fastening the screws.



**NOTE:**

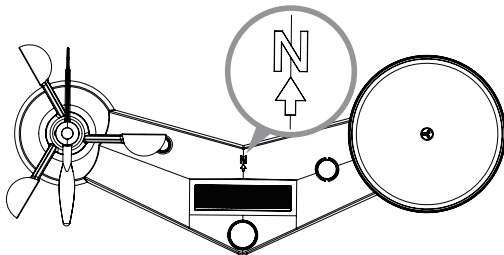
- Any metal object can attract lightning strikes, including your sensor-array mounting pole. Never install sensor-array in stormy days.
- If you want to install a sensor-array on a house or building, consult a licensed electrical engineer to ensure proper grounding. Direct lightning impact on a metal pole can damage or destroy your home.
- Installing the sensor at high location may result in personal injury or death. Perform as many initial inspections and operations as possible on the ground and in buildings or houses. Only install the sensor-array on clear, dry days.

**DIRECTION ALIGNMENT**

Install the wireless 7-in-1 sensor in an open location with no obstructions above and around the sensor for accurate rain and wind measurement.

Locate the North (N) marker on top of the 7-in-1 sensor and align the marker to point North upon final installation with a compass or GPS. Tighten the mounting bracket around a 30 to 40 mm diameter pole (not included) using two screw and nuts provided.

Use the bubble level on the 7-in-1 sensor to make sure the sensor is completely level for proper measurement of rainfall, UV and light intensity.



North marker on top of the 7-in-1 sensor.

Use the bubble level on the 7-in-1 sensor to make sure the sensor is completely level for proper measurement of rainfall.

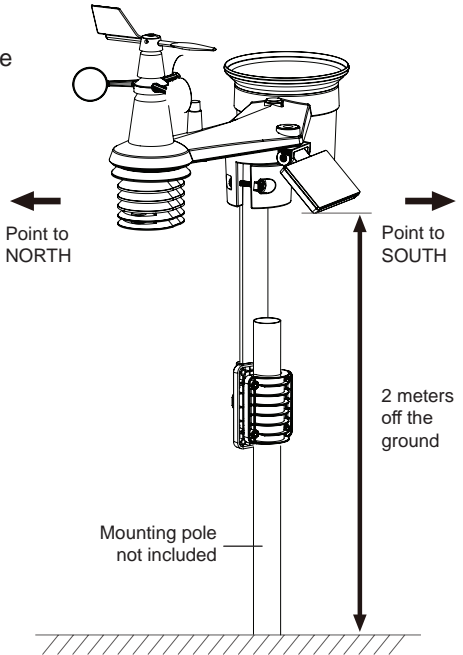
**POINTING THE WIRELESS 7-IN-1 SENSOR TO SOUTH**

The outdoor 7-IN-1 sensor is calibrated to point to North for the maximum accuracy. However, for the user's convenience (e.g. users in the Southern hemisphere), it is possible to use the sensor with the wind vane pointing to South.

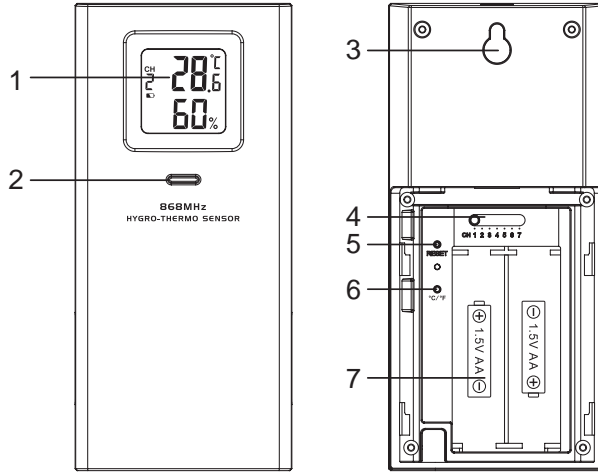
1. Install the 7-IN-1 wireless sensor with its wind meter end pointing to South. (Please refer to **POINTING THE WIRELESS 7-IN-1 SENSOR TO SOUTH** section for mounting details)
2. Select "S" in hemisphere section of the setup UI setup page. (Please refer to **SETUP THE WEATHER SERVER CONNECTION** section's **SETUP** page for setup details)
3. Press **Apply** icon to confirm and exit.

**NOTE:**

Changing the hemisphere setting will automatically switch the direction of the moon phase on the display.



# 1.1 WIRELESS HYGRO-THERMO SENSOR



- 1. LCD display
- 2. Transmission status LED
- 3. Wall mounting holder
- 4. [ CHANNEL ] slide switch
- 5. [ RESET ]
- 6. [ °C / °F ]
- 7. Battery compartment

## 1.1.1 INSTALL WIRELESS INDOOR THERMO-HYGROSENSOR

1. Remove the battery door of the sensor.
2. Use the channel slide switch to set the channel number for the sensor (e.g. Channel 1)
3. Insert 2 x AA size batteries into the battery compartment according to the polarity information marked on the battery compartment and close the battery door.
4. The sensor is in synchronization mode, and can be registered to the console within the next few minutes. The transmission status LED is blinking.

### NOTE:

- If you need to re-assign the sensor channel, slide the channel slide switch to the new channel position. For the new channel number to be effective, press [ RESET ] on the sensor.
- Avoid placing this sensor in direct sunlight, rain or snow.

## 1.2 OPTIONAL SENSOR

The weather station works with following optional sensors:

MODEL	7009971	7009972	7009973
NO OF CHANNEL	7		
DESCRIPTION	Thermo-Hygrometer sensor	Soil Moisture and Temperature Sensor	Spa and Pool Thermometer
IMAGE			

### 1.3 RECOMMENDATION FOR BEST WIRELESS COMMUNICATION

Effective wireless communication is susceptible to noise interference in the environment, and distance and barriers between the sensor transmitter and the display console.

1. Electromagnetic interference (EMI) – these may be generated by machinery, appliances, lighting, dimmers and computers, etc. So please keep your display console 1 or 2 meters away from these items.
2. Radio-frequency interference (RFI) – if you have other devices operating on 868 / 915 / 917 MHz, you might experience communication intermittent. Please re-located your transmitter or display console to avoid signal intermittent problem.
3. Distance. Path loss occurs naturally with distance. This device is rated to 100m (300 feet) by line of sight (in interference free environment and without barriers). However, typically you will get 30m (100 feet) maximum in real life installation, which includes passing through barriers.
4. Barriers. Radio signal are blocked by metal barriers such as aluminum cladding. Please align the sensor array and display console to get them in clear line of sight through window if you have metal cladding.

The table below show a typical level of reduction in signal strength each time the signal passed through these building materials

MATERIALS	SIGNAL STRENGTH REDUCTION
Glass (untreated)	10 ~ 20%
Wood	10 ~ 30%
Plasterboard / drywall	20 ~ 40%
Brick	30 ~ 50%
Foil insulation	60 ~ 70%
Concrete wall	80 ~ 90%
Aluminum siding	100%
Metal wall	100%

Remarks: RF signal reduction for reference.

### SETUP THE CONSOLE

#### **POWER UP THE CONSOLE**

1. Plug the adapter provided to the power jack at the back of the console.
2. Once the console is turned on, all the segments of the LCD will be shown momentarily.
3. The console will automatically enters sensor synchronization mode and AP mode (refer to **SETUP WI-FI CONNECTION**).



#### **NOTE:**

If no display appears when power up the console. You can press [ RESET ] key by using a pointed object. If this process still not work, you can remove the backup battery and unplug the adaptor then re-power up the console again.

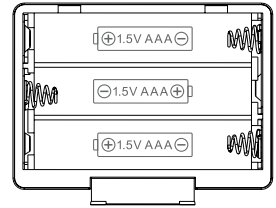
#### **SYNCHRONIZING WIRELESS 7-IN-1 SENSOR AND INDOOR SENSOR(S)**

Immediately after power up, while still in Synchronization mode, the 7-in-1 sensor and Indoor Sensor can be paired to the console automatically. Once your sensors are paired up, the sensors' signal strength indicator and weather reading will appear on your console display.

## BACKUP BATTERY

Backup batteries are used to keep time-sensitive information on the console's memory during power failure. These include:

- *Time & Date, Alarm Time, Max/Min & Past 24 hours weather records, Alert setting values, Sensor(s) channel history, and Units*
1. Remove the battery door of the console.
  2. Insert 3 new AAA batteries as per the polarity indicated,
  3. Replace the battery door.



## BUILT-IN MEMORY

The console has built-in FLASH memory that holds the vital settings. These include:

- *Time Zone, DST status, Time SYNC status, WI-FI and Weather server setting, Latitude / Longitude, Hemisphere setting, Calibration values, and Sensor ID of paired sensor(s)*

## RESET AND FACTORY HARD RESET

To reset the console and start again, press the [ **RESET** ] key once

To hard reset the console and resume factory settings, press and hold the [ **RESET** ] key for 6 seconds

## RESYNCHRONIZE SENSORS

Press the [ **SENSOR / WI-FI** ] key once for the console to enter sensor Synchronization mode, and the console will re-register all the sensors that have already been registered to it before. i.e. the console will not lose the connection of the sensors that you'd paired up before.

## CHANGING BATTERIES AND MANUAL PAIRING OF SENSOR

Whenever you changed the batteries of the wireless indoor or 7-in-1 weather sensor, re-synchronization must be done manually.

1. Change all the batteries to new ones in the sensor.
2. Press [ **SENSOR / WI-FI** ] key on the console to enter sensor synchronization mode.
3. Press [ **RESET** ] key on the wireless indoor or 7-in-1 weather sensor.

## SYNCHRONIZING ADDITIONAL WIRELESS SENSOR(S) (OPTIONAL)

The console can support up to 7 additional wireless sensors.

1. Press the [ **SENSOR / WI-FI** ] key once on the console to enter synchronization mode.
2. Press the [ **RESET** ] key on the new sensor, and wait for a few minutes for the new sensor to paired to the console.




### NOTE:

- Channel number of the indoor sensor must not be duplicated among the sensors. Please refer to "**INSTALL WIRELESS INDOOR SENSOR**" for details
- This console can support different type of additional wireless sensor, e.g. soil moisture and pool sensor. If you would like to pair up additional sensors, please check with your retailer for more detail.

## POINTING THE WIRELESS 7-IN-1 SENSOR TO SOUTH

The outdoor 7-IN-1 sensor is calibrated to point to North for the maximum accuracy. However, for the user's convenience (e.g. users in the Southern hemisphere), it is possible to use the sensor with the wind vane pointing to South.

1. Install the 7-IN-1 wireless sensor with its wind meter end pointing to South. (Please refer to **INSTALLATION OF THE WIRELESS SENSOR** section for mounting details)

2. Select "S" in hemisphere section of the setup UI setup page. (Please refer to **SETUP THE WEATHER SERVER CONNECTION** section for setup details)
3. Press  icon to confirm and exit.

**NOTE:**

Changing the hemisphere setting will automatically switch the direction of the moon phase on the display.

## **CREATE WEATHER SERVER ACCOUNT & SETUP WI-FI CONNECTION**

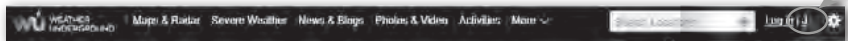
The console can upload weather data to WUnderground and / or Weathercloud through WI-FI router, you can follow the step below to setup your device.

**NOTE:**

The Weather Underground and Weathercloud website are subjected to change without notice.

## **CREATE WEATHER UNDERGROUND ACCOUNT**

1. In <https://www.wunderground.com> click the "Join" on the top right corner to open the registration page. Follow the instructions to create your account.

**NOTE:**

Use the valid email address to register your account.

2. After you have created your account and completed the Email validation, please go back to the WUnderground web page to login. Then, click "My Profile" button on the top to open the drop-down menu and click "My Weather Station".



3. In "My Weather Station" page, press the "Add New Device" button to add your device.



- Follow their instruction to enter your station information, in the Step "Tell Us More About Your Device", (1) enter a Name for your weather station. (2) choose "**Other**" in "**Device Hardware**" section and fill in other the other information (3) select "**I Accept**" to accept Weather underground's privacy terms, (4) click "**Next**" to create your station ID and key.

**Add a New pws**

TYPE LOCATION DETAILS DONE

Tell Us More About Your Device 75%

(1) Name (Required):

(2) Device Hardware (Required):  Surface Type:

(2) Associate Weather Station:

(2) Height Above Ground:  Surface Type:

You Make Our Forecasts More Accurate. We Respect Your Privacy

Contribute to the Weather Underground community by sharing some information about yourself and your sensor. We use this information to manage your account and to improve our experience. You'll find Weather Underground community. We may also share certain data for community purposes. Such as your location (location). You can always opt out of sharing your location.

(3) (I Accept) (I Deny)

Email Preferences:  I would like to receive PWS notifications

(4)

- Jot down Your "Station ID" and "Station key" for the further setup step.

Registration Complete! 100%

Congratulations! Your account has been created successfully. You are now ready to use the service.

Enter the information below to your weather station software:

Your Station ID: **KCOARVAD2B1**

Your Station Key: **s1kgFvGZ**

## CREATE WEATHERCLOUD ACCOUNT

- In <https://weathercloud.net> enter your information in "Join us today" section, then follow the instructions to create your account.

Home Plans Projects Blog FAQ Map Sign In Join

Welcome to Weathercloud

The easiest way to share your weather data with the world.

Join us today

Username:

Email:

Password:

By clicking Sign up, you agree to our Terms



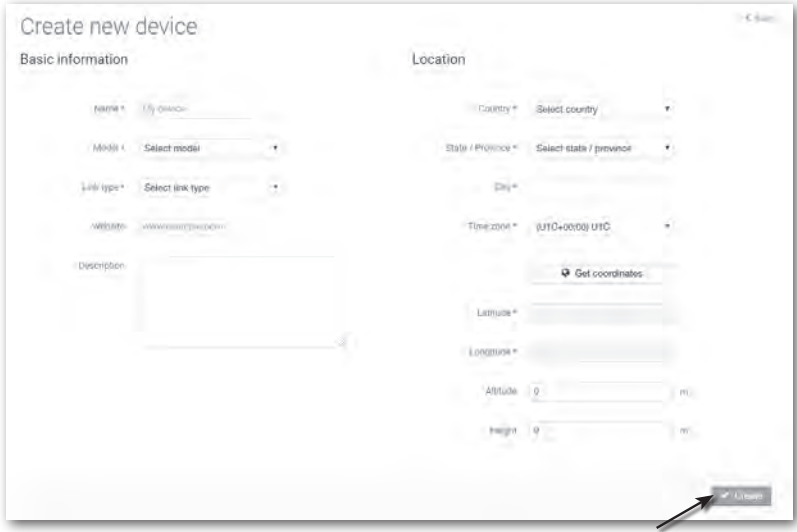
### NOTE:

Use the valid email address to register your account.

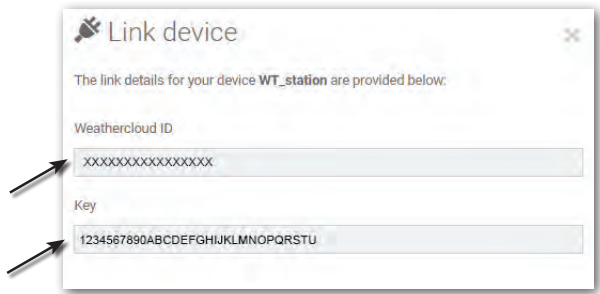
2. Sign in weathercloud and then you will go the "Devices" page, click "+ New" to create new device.



3. Enter all the information in **Create new device** page, for the **Model\*** selection box select the **"W100 Series"** under **"CCL"** section. for the Link type\* selection box select the **"SETTINGS"**, Once you have completed, click **Create**.



4. Jot down your ID and key for the further setup step.

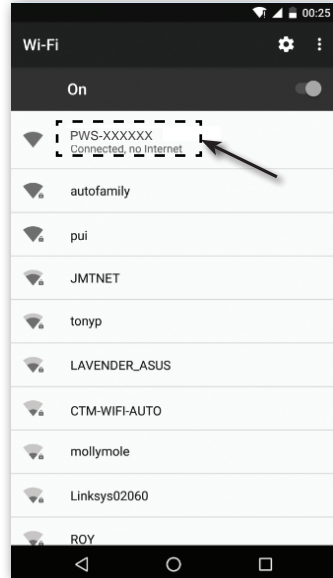


### SETUP WI-FI CONNECTION

1. When you power up the console for the first time, the console LCD will show flashing "AP" and "📶" icon to signify that it has entered AP (Access Point) mode, and is ready for WI-FI settings. User can also press and hold the [ **SENSOR / WI-FI** ] key for 6 seconds to enter AP mode manually.
2. Use the smart phone, tablet, or computer to connect the console through WI-FI.
3. In PC / Mac choose WiFi network settings or In Android / iOS choose setting → WI-FI to select the console's SSID: PWS-XXXXXX in the list and it will need several second to connect.



PC (Windows 10) WI-FI network interface



Android WI-FI network interface

4. Once connected, enter the following IP address into your internet browser's address bar, to access the console's web interface:

**http://192.168.1.1**

### NOTE :

- Some browsers will treat **192.168.1.1** as a search, so make sure you include **http://** header.
- Recommended browsers, such as the latest version of Chrome, Safari, Edge, Firefox or Opera.
- WI-FI network interface of PC / Mac or mobile subject to change.

### CREATE AWEKAS ACCOUNT

You have the possibility to use a weather service of a third party provider, as shown here with the example of AWEKAS (<https://join.awekas.at>). Detailed instructions for setting up AWEKAS are available for download: <https://www.bresser.de/download/WSX3001>

### WI-FI CONNECTION STATUS

Below is the WI-FI icon status on the console LCD:

		
Stable: Console is in connection with WI-FI router	Flashing: Console is trying to connect to WI-FI router	Flashing: Console currently in Access Point (AP) mode

## SETUP THE WEATHER SERVER CONNECTION

Enter the following information into the below web interface "SETUP" page to connect the console to weather server, If you do not want to use Wunderground.com or Weathercloud.net, please empty the station ID & key to ignore the data upload.

SETUP page

The screenshot shows the 'SETTINGS' page with the 'SETUP' tab selected. The page is divided into several sections: WiFi Router setup, Weather server setup (Wunderground and Weathercloud), Mac address, Time server setup, and Location for sunrise / sunset. Annotations with arrows point to various elements: 'ADVANCED' icon, Language dropdown, Search and Add Router buttons, Router dropdown, Security type dropdown, Router Password field, Station ID and key fields for both Wunderground and Weathercloud, URL field, Time server dropdown, Time Zone dropdown, Latitude and Longitude input fields, Hemisphere dropdown, and the Apply button.

**SETTINGS**

**SETUP**      **ADVANCED**

Press "ADVANCED" icon to switch to Advanced page

Language: English      Select setup UI display language

WiFi Router setup

Search      Router: ROUTER\_A      Select router (SSID) for connection

Add Router      Manually enter SSID if not on list

Security type: WAP2      Select router's security type (usually "WPA2")

Router Password: \*\*\*\*\*      Router's password (leave blank if security type is "open")

Weather server setup

**Wunderground**

Station ID: WDW124      Enter new Station ID and Station key received from Wunderground

Station key: \*\*\*\*\*

**Weathercloud**

Station ID: IPACIR23Wc      Enter new Station ID and Station key received from weathercloud

Station key: \*\*\*\*\*

URL: http://WAC.com      Reserved for validated weather server

Station ID: IDCR21w1

Station key: \*\*\*\*\*      Enter new Station ID and Station key received from corresponding weather server

Mac address      00:0E:C6:00:07:10

Time server setup

Server URL: nist.time.gov      Select time server

Time Zone: 0:00      Select time zone of your location

Location for sunrise / sunset

\*Latitude: 0.0000      North      Select the direction (e.g. for EU countries Longitude is East and for US is West)

Enter 0 to 90, no negative numbers

\*Longitude: 0.0000      East

Enter 0 to 180, no negative numbers

Hemisphere: N      Select the hemisphere the sensor is located in (e.g. both US and EU are "N" and Australia is "S")

\* Depends on the model

Firmware version: 1.00

Apply      Press to save the settings

### NOTE:

- When WI-FI setup is completed, your PC / Mac or mobile will resume your default WI-FI connection.
- During AP mode, you can press and hold the [ **SENSOR / WI-FI** ] key for 6 seconds to stop AP mode and the console will restore your previous setting.

### TIME ZONE

To automatically set the time display to your time-zone, change the time zone in SETUP page of previous section from '0:00' (default) to your time zone (e.g.+1:00 for Germany).

Time server setup

Server URL: nist.time.gov

Time Zone: 0:00

## TIME SERVER CONNECTION STATUS

After the console has connected to the internet, it will attempt to connect to the internet time server to obtain the UTC time. Once the connection succeeds and the console's time has been updated, the " **SYNC** " icon will appear on the LCD.



The time will automatically synchronize Internet time server at 12:00AM and 12:00PM per day. Also you can press the [ **REFRESH** ] key to get the internet time manually within 1 minute.

## ADVANCE SETTING IN WEB INTERFACE

Press " **ADVANCED** " key at the top of web interface to enter the advance setting page, this page allow you to set and view the calibration data of the console, as well as update the firmware version on PC / Mac web browser.

ADVANCED page

Press " **SETUP** " icon to switch to Setup page

Select setting unit

Outdoor and CH 1~7 temperature calibration section

Outdoor and CH 1~7 humidity calibration section

Pressure calibration section

Select setting unit

Current offset value is the value that you set before to offset the pressure reading.

The rain, wind speed, UV and Light calibration use gain method. The wind direction is +/- 10 offset.

Current firmware version

The firmware update function is only available through PC or Mac web browser

**SETTINGS**

SETUP **ADVANCED**

Temperature  Humidity %

Indoor  Current offset: 1  Current offset: -5

Outdoor  Current offset: -9  Current offset: 10

CH 1  Current offset: 2  Current offset: -5

CH 2  Current offset: 3  Current offset: -2

CH 3  Current offset: 1.2  Current offset: -2

CH 4  Current offset: -0.2  Current offset: -5

CH 5  Current offset: -20.1  Current offset: -3

CH 6  Current offset: 11.5  Current offset: -10

CH 7  Current offset: 0.2  Current offset: -3

Range: -20.0 ~ 20.0°C  
-36.0 ~ 36.0°F (Default: 0.0)

Range: -20 ~ 20  
(Default: 0.0)

Pressure

Absolute Pressure Offset:  Current offset: -3 (Default: 0)

Relative Pressure Offset:  Current offset: 10 (Default: 0)

Setting Range:  
-560 ~ 560hpa / -16.54 ~ 16.54inHg / -420 ~ 420mmHg

\*Rain gain:  Current gain: 0.85  
Range: 0.5 ~ 1.5(Default: 1.00)

\*Wind speed gain:  Current gain: 0.75  
Range: 0.5 ~ 1.5(Default: 1.00)

\*Wind direction:  Current offset: 2°  
Range: -10 ~ 10(Default: 0°)

\*UV gain:  Current gain: 1.1  
Range: 0.01 ~ 10(Default: 1.00)

\*Light gain:  Current gain: 1.1  
Range: 0.01 ~ 10(Default: 1.00)

\* Depends on the model

Firmware version: 1.00

Browse

Upload

## CALIBRATION

1. User can input the offset and/or gain values for different parameters while current offset and gain values are shown next to their corresponding blank.
2. Once completed, press **Apply** at the bottom of the SETUP page. The current offset value will show the previous value that you entered, please input the new value in the blank if any changes needed, the new value will effective once you press **Apply** icon in SETUP page.



### NOTE:

- Calibration of most parameter is not required, with the exception of Relative Pressure, which must be calibrated to sea-level to account for altitude effects.
- Indoor temperature and humidity calibration values are not applicable for this console.

## VIEW YOUR WEATHER DATA IN WUNDERGROUND

To view your weather station live data in a web browser (PC / Mac or mobile version), please visit <http://www.wunderground.com>, and then enter your "Station ID" in the searching box. Your weather data will show up on the next page. You can also login your account to view and download the recorded data of your weather station.



Another way to view your station is use the web browser URL bar, type below in the URL bar:

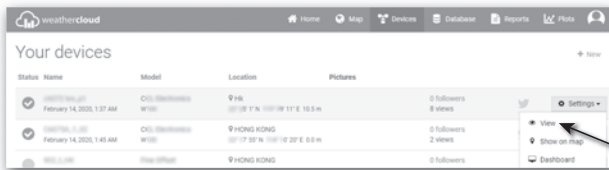
**<https://www.wunderground.com/dashboard/pws/XXXX>**

Then replace the XXXX by your Weather underground station ID to view your station live data.

You can also check Weather Underground web site to learn more about their mobile App for Android and iOS.

## VIEWING YOUR WEATHER DATA IN WEATHERCLOUD

1. To view your weather station live data in a web browser (PC / Mac or mobile version), please visit <https://weathercloud.net> and sign in your own account.
2. Click the **View** icon inside the **Settings** pull down menu of your station.

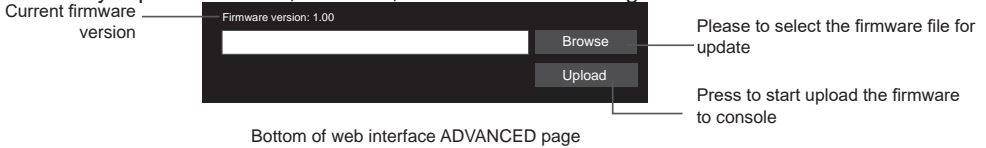


3. Click **"Current"**, **"Wind"**, **"Evolution"** or **"Inside"** icon to view the live data of your weather station.



## FIRMWARE UPDATE

The console supports OTA firmware update capability. Its firmware may be updated over the air anytime (whenever necessary) through any web-browser on a PC / Mac with WI-FI connectivity. Update function, however, is not available through mobile/smart devices.

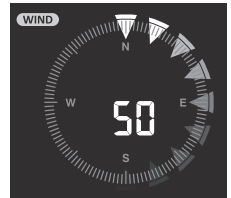


## **FIRMWARE UPDATE STEP**

1. Download the latest version firmware to your PC / Mac.
2. Set the Console into AP (access point) mode then connect the PC / Mac to the console (ref to "SETUP WI-FI CONNECTION" section in previous page).
3. Click the **Browse** in firmware update section and browse the location of the file you download in step 1. To update the WI-FI firmware, click the **Browse** in WI-FI firmware section.
4. Click the corresponding **Upload** to start transfer the firmware file to console.
5. In the meantime, the console will execute the update automatically and will show the update progress on display (i.e. 100 is completion).

The update time is around 5 ~ 8 minutes

6. The console will restart once the update is completed.
7. The console will stay in **AP mode** for you to check the firmware version and all the current setting.



### **IMPORTANT NOTE:**

- Please keep connecting the power during the firmware update process.
- Please make sure your PC / Mac's WI-FI connection is stable.
- When the update process start, do not operate the PC / Mac and console until the update finished.
- During firmware update the console will stop upload data to the cloud server. It will reconnect to your WI-FI router and upload the data again once the firmware update succeed. If the console cannot connect to your router, please enter the SETUP page to setup again.
- After the firmware update, If the setup informations are missing, please input the setup information again.
- Firmware update process have potectial risk, which cannot guarantee 100% success. If the update fail, please redo the above step to update again.

## **OTHER SETTING & FUNCTIONS OF THE CONSOLE**

### **MANUAL CLOCK SETTING**

This console is designed to obtain the UTC time by synchronize with the assigned internet time server. If you want to use it offline, you can set the time and date manually. During the first time startup, press and hold the [ **SENSOR / WI-FI** ] key for 6 seconds and let the console back to normal mode.

1. In normal mode, press and hold [ **CLOCK SET** ] key for 2 seconds to enter setting.
2. The setting sequence: DST AUTO/OFF → Hour → Minute → second → 12/24 hour format → Year → Month → Day → M-D/D-M format → Time sync ON/OFF → weekday Language.
3. Press [ **^** ] or [ **v** ] key to change the value. Press and hold the key for quick-adjust.
4. Press [ **CLOCK SET** ] key to save and exit the setting mode, or the unit will automatically exit the setting mode 60 seconds later without pressing any key.

 **NOTE:**

- In normal mode, press [ **CLOCK SET** ] key to switch between year and date display.
- During the setting, you can press and hold [ **CLOCK SET** ] key for 2 seconds to back to normal model.

















**DAYLIGHT SAVING TIME (DST)**

DST function is set to "AUTO" by default (for EU or US version). If the current date on display is with in the summer daylight saving period, the time will be automatically adjusted forward by +1 hour, and DST icon will be shown on the LCD display.

**MOON PHASE**

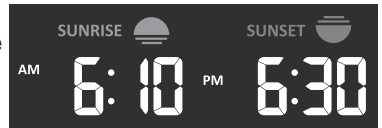
The moon phase is determined by the time, date and time zone. The following table explains the moon phase icons of the Northern and Southern Hemispheres.

Please refer to **POINTING THE WIRELESS 7-IN-1 SENSOR TO SOUTH** section about how to setup for the Southern Hemispheres.

Northern Hemisphere	Moon Phase	Southern Hemisphere
	New Moon	
	Waxing Crescent	
	First quarter	
	Waxing Gibbous	
	Full Moon	
	Waning Gibbous	
	Third quarter	
	Waning Crescent	

**SUNRISE & SUNSET TIME**


The console indicates your location's sunrise & sunset time by the time zone, latitude and longitude you entered. Please enter the correct information in the regarding settings. If the latitude and longitude values do not match the time zone, the sunrise & sunset time cannot be shown.



**SETTING ALARM TIME**

1. In normal time mode, press and hold [ **ALARM** ] key for 2 seconds until the alarm hour digit flashes to enter alarm time setting mode.
2. Press [ **^** ] or [ **v** ] key to change the value. Press and hold the key for quick-adjust.
3. Press [ **ALARM** ] key again to step the setting value to Minute with the Minute digit flashing.
4. Press [ **^** ] or [ **v** ] key to adjust the value of the flashing digit.
5. Press [ **ALARM** ] key to save and exit the setting.

 **NOTE:**

- In alarm mode, the "" icon will display on the LCD.
- The alarm function will turn on automatically once you set the alarm time.



## ACTIVATING ALARM AND TEMPERATURE PRE-ALARM FUNCTION

1. In normal mode, press [ **ALARM** ] key to show the alarm time for 5 seconds.
2. When the alarm time displays, press [ **ALARM** ] key again to activate the alarm function.  
Or press [ **ALARM** ] key twice to activate the alarm with ice pre-alarm function.

		
Alarm off	Alarm on	Alarm with ice-alert

### **NOTE:**


Once the ice pre-alert activated, the alarm will sound 30 minutes earlier if it detects outside temperature is below -3°C.

When clock reach the alarm time, alarm sound will start.

Where it can be stopped by following operation:

- Auto-stop after 2 minutes alarming if without any operation and the alarm will activate again in the next day.
- By pressing [ **ALARM / SNOOZE** ] key to enter snooze that the alarm will sound again after 5 minutes.
- By pressing and hold [ **ALARM / SNOOZE** ] key for 2 seconds to stop the alarm and will activate again in the next day
- By pressing [ **ALARM** ] key to stop the alarm and the alarm will activate again in the next day.

### **NOTE:**

- The snooze could be used continuously in 24 hours.
- During the snooze, the alarm icon “” will keep flashing.

## TEMPERATURE / HUMIDITY FUNCTION

- The temperature and humidity reading are display on the outdoor and indoor (CH) section.
- Use the [ °C / °F ] slide switch to select the temperature display unit.
- If temperature / humidity is below the measurement range, the reading will show “Lo”. If temperature / humidity is above the measurement range, the reading will show “Hi”.

## **COMFORT INDICATION**

The comfort indication is a pictorial indication based on indoor air temperature and humidity in an attempt to determine comfort level.



Too cold



Comfortable









Too hot

### **NOTE:**

- Comfort indication can vary under the same temperature, depending on the humidity.
- There is no comfort indication when temperature is below 0°C (32°F) or over 60°C (140°F).


## **WIRELESS SENSOR SIGNAL RECEIVING**

1. The console display signal strength for the wireless sensor(s), as per table below:

<b>Outdoor 7-in-1 sensor</b>			
<b>Indoor channel sensor</b>			
	No signal	Weak signal	Good signal

2. If the signal has discontinued and does not recover within 15 minutes, the signal icon will disappear. The temperature and humidity will display “Er” for the corresponding channel.
3. If the signal does not recover within 48 hours, the “Er” display will become permanent. You need to replace the batteries and then press [ **SENSOR / WI-FI** ] key to pair up the sensor again.

## VIEW THE OTHER INDOOR CHANNELS (OPTIONAL FEATURE WITH ADD ON EXTRA SENSORS)

This console is capable to pair with a wireless 7-IN-1 sensor and up to 7 wireless indoor sensors. If you have 2 or more Indoor sensors, you can press [ **CHANNEL** ] key to switch between different wireless channels in normal mode, or press and hold [ **CHANNEL** ] key for 2 seconds to toggle auto-cycle mode to display the connected channels at 4 seconds interval. During auto-cycle mode, the  icon will show on the indoor channel section of the console's display. Press [ **CHANNEL** ] key to stop auto cycle and display the current channel.

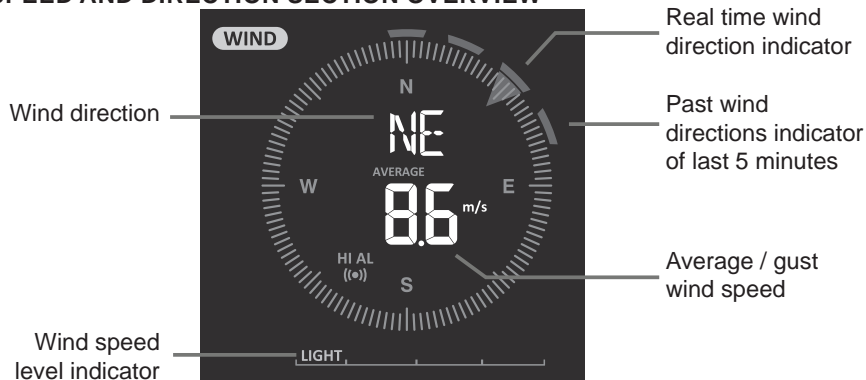
## TREND INDICATOR

The trend indicator shows the trends of changes in the forthcoming few minutes. The icon will appear in temperature, humidity, index and baro section.



## WIND

### WIND SPEED AND DIRECTION SECTION OVERVIEW



## TO SET THE WIND SPEED UNIT AND DIRECTION DISPLAY FORMAT

1. In normal mode, press and hold [ **WIND** ] key for 2 seconds to enter into wind speed unit mode and the unit will flash. Press [ **^** ] or [ **v** ] key to change the wind speed unit in this sequence: m/s → km/h → knots → mph
2. Press [ **WIND** ] key again to enter wind direction setting mode. The wind direction reading will flash, and then press [ **^** ] or [ **v** ] key to select the display format between 360 degree or 16 direction.
3. Press [ **WIND** ] key again to return normal mode.

## TO SELECT THE WIND DISPLAY MODE

In normal mode, press [ **WIND** ] key to switch between **BEAUFORT** scale, **AVERAGE** and **GUST** wind speed.

## BEAUFORT SCALE TABLE

The Beaufort scale is an international scale of wind velocities ranging from 0 (calm) to 12 (Hurricane force).

Beaufort Scale	Description	Wind Speed	Land Condition
0	Calm	< 1 km/h	Calm. Smoke rises vertically.
		< 1 mph	
		< 1 knots	
		< 0.3 m/s	
1	Light air	1.1 ~ 5km/h	Smoke drift indicates wind direction. Leaves and wind vanes are stationary.
		1 ~ 3 mph	
		1 ~ 3 knots	
		0.3 ~ 1.5 m/s	

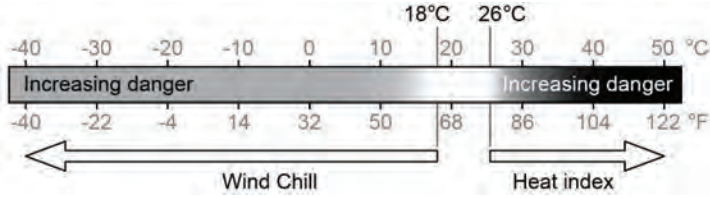
Beaufort Scale	Description	Wind Speed	Land Condition
2	Light breeze	6 ~ 11 km/h	Wind felt on exposed skin. Leaves rustle. Wind vanes begin to move.
		4 ~ 7 mph	
		4 ~ 6 knots	
		1.6 ~ 3.3 m/s	
3	Gentle breeze	12 ~ 19 km/h	Leaves and small twigs constantly moving, light flags extended.
		8 ~ 12 mph	
		7 ~ 10 knots	
		3.4 ~ 5.4 m/s	
4	Moderate breeze	20 ~ 28 km/h	Dust and loose paper raised. Small branches begin to move.
		13 ~ 17 mph	
		11 ~ 16 knots	
		5.5 ~ 7.9 m/s	
5	Fresh breeze	29 ~ 38 km/h	Branches of a moderate size move. Small trees in leaf begin to sway.
		18 ~ 24 mph	
		17 ~ 21 knots	
		8.0 ~ 10.7 m/s	
6	Strong breeze	39 ~ 49 km/h	Large branches in motion. Whistling heard in overhead wires. Umbrella use becomes difficult. Empty plastic bins tip over.
		25 ~ 30 mph	
		22 ~ 27 knots	
		10.8 ~ 13.8 m/s	
7	High wind	50 ~ 61 km/h	Whole trees in motion. Effort needed to walk against the wind.
		31 ~ 38 mph	
		28 ~ 33 knots	
		13.9 ~ 17.1 m/s	
8	Gale	62 ~ 74 km/h	Some twigs broken from trees. Cars veer on road. Progress on foot is seriously impeded
		39 ~ 46 mph	
		34 ~ 40 knots	
		17.2 ~ 20.7 m/s	
9	Strong gale	75 ~ 88 km/h	Some branches break off trees, and some small trees blow over. Construction / temporary signs and barricades blow over.
		47 ~ 54 mph	
		41 ~ 47 knots	
		20.8 ~ 24.4 m/s	
10	Storm	89 ~ 102 km/h	Trees are broken off or uprooted, structural damage likely.
		55 ~ 63 mph	
		48 ~ 55 knots	
		24.5 ~ 28.4 m/s	
11	Violent storm	103 ~ 117 km/h	Widespread vegetation and structural damage likely.
		64 ~ 73 mph	
		56 ~ 63 knots	
		28.5 ~ 32.6 m/s	
12	Hurricane force	≥ 118 km/h	Severe widespread damage to vegetation and structures. Debris and unsecured objects are hurled about.
		≥ 74 mph	
		≥ 64 knots	
		≥ 32.7m/s	

## WEATHER INDEX

At the WEATHER INDEX section, you can press [ INDEX ] key to view different weather index in this sequence: **FEELS LIKE → DEWPOINT → HEAT INDEX → WIND CHILL.**

## FEELS LIKE

Feels Like Temperature shows what the outdoor temperature will feel like. It's a collective mixture of Wind Chill factor (18°C or below) and the Heat Index (26°C or above). For temperatures in the region between 18.1°C to 25.9°C where both wind and humidity are less significant in affecting the temperature, the device will show the actual outdoor measured temperature as Feels Like Temperature.



## DEW POINT

- The dew point is the temperature below which the water vapor in air at constant barometric pressure condenses into liquid water at the same rate at which it evaporates. The condensed water is called *dew* when it forms on a solid surface.
- The dew point temperature is determined by the temperature & humidity data from wireless 7-IN-1 sensor.

## HEAT INDEX

The heat index which is determined by the wireless 7-IN-1 sensor's temperature & humidity data when the temperature is between 26°C (79°F) and 50°C (120°F).

Heat Index range	Warning	Explanation
27°C to 32°C (80°F to 90°F)	Caution	Possibility of heat exhaustion
33°C to 40°C (91°F to 105°F)	Extreme Caution	Possibility of heat dehydration
41°C to 54°C (106°F to 129°F)	Danger	Heat exhaustion likely
≥55°C (≥130°F)	Extreme Danger	Strong risk of dehydration / sun stroke

## WIND CHILL

A combination of the wireless 7-IN-1 sensor's temperature and wind speed data determines the current wind chill factor. Wind chill number are always lower than the air temperature for wind values where the formula applied is valid (i.e. due to limitation of formula, actual air temperature higher than 10°C with wind speed below 9km/h may result in erroneous wind chill reading).

## WEATHER FORECAST

The built-in barometer continually monitor atmosphere pressure. Based on the data collected, it can predict the weather conditions in the forthcoming 12~24 hours within a 30~50km (19~31 miles) radius.



Sunny



Partly cloudy



Cloudy



Rainy



Rainy / Stormy



Snowy

## NOTE:

- The accuracy of a general pressure-based weather forecast is about 70% to 75%.
- The weather forecast is reflecting the weather situation for next 12~24 hours, it may not necessarily reflect the current situation.
- The **SNOWY** weather forecast is not based on the atmospheric pressure, but based on the temperature of outdoor. When the temperature is below -3°C (26°F), the **SNOWY** weather icon will be displayed on the LCD.

## BAROMETRIC PRESSURE

The atmospheric pressure is the pressure at any location of the earth caused by the weight of the column of air above it. One atmospheric pressure refers to the average pressure and gradually decreases as altitude increases. Meteorologists use barometers to measure atmospheric pressure. Since variation in atmospheric pressure greatly affected by weather, it is possible to forecast the weather by measuring the changes in pressure.



### TO VIEW THE BAROMETRIC PRESSURE IN DIFFERENT UNIT

In normal mode, press [ **BARO** ] key to change the barometer unit in this sequence: hPa → inHg → mmHg

### TO SET ABSOLUTE OR RELATIVE BAROMETRIC PRESSURE

In normal mode, press and hold [ **BARO** ] key to switch between **ABSOLUTE** / **RELATIVE** barometric pressure.

## RAIN

The **RAINFALL** section shows the rainfall or rain rate information.

### TO SET THE RAINFALL UNIT

1. Press and hold [ **RAIN** ] key for 2 seconds to enter unit setting mode.
2. Press [ **^** ] or [ **v** ] key to toggle the unit between mm and in (rainfall) or mm/h and in/h (rain rate).
3. Press [ **RAIN** ] key to confirm and exit the setting.

### TO SELECT THE RAINFALL DISPLAY MODE

Press [ **RAIN** ] key to toggle between:

1. **HOURLY** - the total rainfall in the past hour
2. **DAILY** - the total rainfall from midnight (default)
3. **WEEKLY** - the total rainfall of the current week
4. **MONTHLY** - the total rainfall of the current calendar month
5. **Total** - the total rainfall since the last reset
6. **Rate** - Current rainfall rate (base on 10 min rain data)

Period of rainfall




Rain rate level



Rain rate level definition:


Level 1:  
Light rain  
0.1 ~ 2.5 mm/h




Level 2:  
Moderate  
2.51 ~ 10.0 mm/h



Level 3:  
Heavy rain  
10.1 ~ 50.0 mm/h



Level 4:  
Violent rain:  
> 50.0 mm/h



### TO RESET THE TOTAL RAINFALL RECORD

In normal mode, press and hold [ **HISTORY** ] key for 2 seconds to reset all the rainfall record.



#### NOTE:

To ensure to have correct data, please reset all the rainfall record when you reinstall your wireless 7-IN-1 sensor to other location

## LIGHT INTENSITY, UV INDEX & SUNBURN TIME

This section of display show the sunlight intensity, UV index and sunburn time. Press the [ SUN ] key to change the mode.

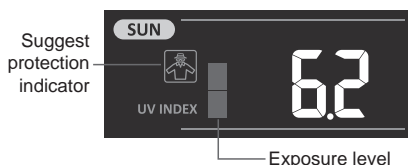
### **LIGHT INTENSITY MODE:**

1. During light intensity mode, press and hold [ SUN ] key for 2 seconds to enter unit setting
2. press [ ^ ] or [ v ] key change the unit in sequence: Klux → Kfc → W/m<sup>2</sup>.
3. Press [ SUN ] key to confirm and exit the setting.



### **UV INDEX MODE:**

To show the correct UV index detected by the outdoor sensor. Corresponding exposure level and suggested protection indicator are also displayed.



### **SUNBURN TIME MODE:**

To show the recommended sunburn time according to current UV level.



## **UV INDEX & SUNBURN TIME TABLE**

Exposure level	Low		Moderate			High		Very high			Extreme	
UV index	1	2	3	4	5	6	7	8	9	10	11	12~16
Sunburn time	N/A		45 minutes			30 minutes		15 minutes			10 minutes	
Recommended protection indicator	N/A		Moderate or high UV level! Suggest to wear sunglasses, broad brim hat and long-sleeved clothing.					Very high or Extreme UV level! Suggest to wear sunglasses, broad brim hat and long-sleeved clothing. If you have to stay outdoors, make sure to seek shade.				

### **NOTE:**

- The sunburn time is based on normal skin type, it is just a reference of UV strength. In general, the darker one's skin is, the longer (or more radiation) it takes to affect the skin.
- The light intensity function is for sunlight detection.

### **MAX / MIN DATA RECORD**

The console can record the accumulated MAX / MIN weather data with the corresponding time stamp for you to easy review.

### **TO VIEW THE ACCUMULATED MAX / MIN**

In normal mode, press [ MAX / MIN ] key to check MAX/MIN records in the following display sequence is: outdoor MAX temperature → outdoor MIN temperature → outdoor MAX humidity → outdoor MIN humidity → indoor current channel MAX temperature → indoor current channel MIN temperature → indoor current channel MAX humidity → indoor current channel MIN humidity → MAX average wind speed → MAX gust → MAX FEELS LIKE → MIN FEELS LIKE → MAX dew point → MIN dew point → MAX heat index → MIN heat index → MAX wind chill → MIN wind chill → MAX UV index → MAX light intensity → MAX relative pressure → MIN relative pressure → MAX absolute pressure → MIN absolute pressure → MAX rain rate.

## TO CLEAR THE MAX/MIN RECORDS

Press and hold [ **MAX / MIN** ] key for 2 seconds to reset the current on display MAX or MIN records.



### NOTE:

The LCD will also display the " **MAX** " / " **MIN** ", " **HISTORY** " icon, data records time & date.

## PAST 24 HOURS HISTORY DATA

The console automatically stores the weather data of the past 24 hours.

1. Press [ **HISTORY** ] key to check the beginning of the current hour's weather data, e.g. the current time is 7:25 am, March 8, the display will show the data of 7:00am, March 8.
2. Press [ **HISTORY** ] key repeatedly to view older readings of the past 24 hours, e.g. 6:00am (Mar 8), 5:00am (Mar 8), ..., 10:00am (Mar 7), 9:00am (Mar 7), 8:00am (Mar 7)



### NOTE:

The LCD will also display the " **HISTORY** " icon, history data records with time & date.

## WEATHER ALERT SETTING

Weather Alert can alert you of certain weather conditions. Once the alert criterion is met, the alarm sound will activate and the LCD's alert icon will flash.

## TO SET ALERT

1. Press [ **ALERT** ] to select and display the desired weather alert reading in the sequence listed in the table below:

Alert reading Sequence	Setting Range	Display Section	Default
Outdoor Temperature High Alert	-40°C ~ 80°C	Outdoor temperature & humidity	40°C
Outdoor Temperature Low Alert			0°C
Outdoor Humidity High Alert	1% ~ 99%		80%
Outdoor Humidity Low Alert			40%
Indoor Current Channel Temperature High Alert	-40°C ~ 80°C	Indoor CH temperature & humidity	40°C
Indoor Current Channel Temperature Low Alert			0°C
Indoor Current Channel Humidity High Alert	1% ~ 99%		80%
Indoor Current Channel Humidity Low Alert			40%
Average Wind Speed	0.1m/s ~ 50m/s	Wind direction & speed	17.2m/s
Feels Like High Alert	-65°C ~ 50°C	Weather index	20°C
Feels Like Low Alert			0°C
Dewpoint High Alert	-40°C ~ 80°C		10°C
Dewpoint Low Alert			-10°C
Heat Index High Alert	26°C ~ 50°C		30°C
WindChill Low Alert	-65°C ~ 18°C		0°C
UV index High Alert	1 ~ 16	UV & light intensity	10
Light intensity High Alert	0.01 ~ 200.0Klux		100Klux
Pressure Drop	1hPa ~ 10hPa	Barometer	3hPa
Hourly Rainfall	1mm ~ 1000mm	Rainfall	100mm

2. Under the current alert reading, press and hold [ **ALERT** ] key for 2 seconds to enter alert setting and the alert reading will flash.

3. Press [  $\wedge$  ] or [  $\vee$  ] key to adjust the value or press and hold the key to change rapidly.
4. Press [ **ALERT** ] key to confirm the value.
5. Press [ **ALARM** ] key to toggle the regarding alert on / off.
6. Press [ **ALERT** ] key to shift to next alert reading.



Alert on



Alert off

7. Press any key on the front side to save alert on /off status and back to normal mode, or it will automatically back to normal mode after 30 seconds without pressing any key.

### **TO SILENCE THE ALERT ALARM**

Press [ **ALARM / SNOOZE** ] key to silence the alert alarm or let the alarm automatically turn off after 2 minutes.

### **NOTE:**

- Once the alert is triggered, the alarm will sound for 2 minutes and the related alert icon and readings will flash.
- If the alert alarm is automatically off after 2 minutes, the alert icon and readings will still keep flash until the weather reading is out of the alert range.
- The weather alert will sound again when the weather readings falls into the alert range again.

### **BACKLIGHT**

The main unit backlight can be adjust, using the [ **OFF / HI / LO** ] sliding switch to select the appropriate brightness:


- Slide to the [ **HI** ] position for the brighter backlight.
- Slide to the [ **LO** ] position for the dimmer backlight.
- Slide to the [ **OFF** ] position turn off the backlight

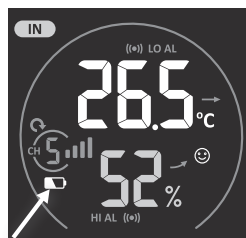
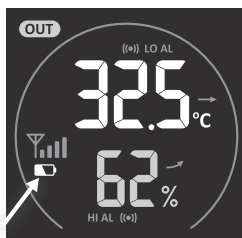
### **DISPLAY CONTRAST**

Press [ **☉ /  $\wedge$**  ] key in normal mode to adjust LCD contrast in order to fit table stand or wall mount angle.

## **MAINTENANCE**

### **BATTERY REPLACEMENT**

When low battery indicator “  ” is displayed in OUT or IN section, it indicates that the outdoor 7-IN-1 sensor and current channel sensor battery power is low respectively. Please replace with new batteries.





## WIRELESS 7-IN-1 SENSOR MAINTENANCE



### REPLACE THE WIND VANE

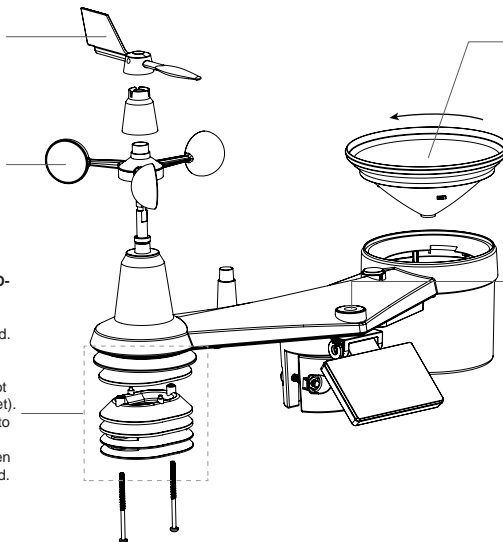
Unscrew and remove the wind vane for replacement

### REPLACE THE WIND CUPS

1. Unscrew and remove the top cap.
2. Remove the wind cups for replacement.

### CLEANING THERMO-HYGRO-SENSOR

1. Remove the 2 screws at the bottom of the radiation shield.
2. Gently pull out the shield.
3. Carefully remove any dirt or insects on the sensor (do not let the sensors inside get wet).
4. Clean the shield with water to remove any dirt or insects.
5. Install all the parts back when they are clean and fully dried.



### CLEANING THE RAIN COLLECTOR

1. Rotate the rain collector by turning it 30° anti-clockwise.
2. Gently remove the rain collector.
3. Clean and remove any debris or insects.
4. Install the collector when it is clean and fully dried.

### CLEANING THE UV SENSOR

- For precision UV measurement, gently clean the UV sensor cover, lens with damp micro-fibre cloth.

## TROUBLESHOOT

Problems	Solution
7-in-1 wireless sensor is intermittent or no connection	<ol style="list-style-type: none"> <li>1. Make sure the sensor is within the transmission range</li> <li>2. If it still not work, reset the sensor and resynchronize with console.</li> </ol>
Indoor wireless sensor is intermittent or no connection	<ol style="list-style-type: none"> <li>1. Make sure the sensor is within the transmission range</li> <li>2. Make sure the channel displayed match to the channel selection on sensor</li> <li>3. If it still not work, reset the sensor and resynchronize with console.</li> </ol>
No WiFi connection	<ol style="list-style-type: none"> <li>1. Check for WiFi symbol on the display, it should be always on.</li> <li>2. Make sure you connect to 2.4G band but not 5G band of your WiFi router.</li> </ol>
Data not reporting to Wunderground.com or weathercloud.net	<ol style="list-style-type: none"> <li>1. Ensure your Station ID and Station Key are correct.</li> <li>2. Ensure the date and time is correct on the tablet . If incorrect, you may be reporting old data, not real time data.</li> <li>3. Ensure your time zone is set properly. If incorrect, you may be reporting old data, not real time data.</li> </ol>
Wunderground Precip. Accum. Total graph offset 1 hour reset time, during summer daylight saving time	<ol style="list-style-type: none"> <li>1. Ensure the time zone of the device on Wunderground set correctly</li> <li>2. Ensure the time zone and DST on your console are correct.</li> <li>3. If you located your station out of US time zone region in Wunderground, the DST will be invalid. To solve this issue, please turn off the DST function in console.</li> </ol>
Rainfall is not correct	<ol style="list-style-type: none"> <li>1. Please keep the rain collector clean</li> <li>2. Make sure the tipping bucket inside can work smoothly</li> </ol>

<b>Problems</b>	<b>Solution</b>
Temperature reading too high in the day time	<ol style="list-style-type: none"> <li>1. Check the ventilation fan inside the radiation shield to make sure it can work properly.</li> <li>2. Make certain that the sensor array is not too close to heat generating sources or structures, such as buildings, pavement, walls or air conditioning units.</li> </ol>
Some condensation beneath the solar panel and UV sensor may occur overnight	This will disappear when temperature rises up under the sun and will not affect the performance of the unit.
Ventilating fan stops spinning	The fan is driven by solar panel and will automatically start spinning under 2 conditions: 1. When the sun is shining on the solar panel, and 2. Average wind speed is below 5 m/s for 1 minute.

## **SPECIFICATIONS**

### **CONSOLE**

#### **General Specification**

Dimensions (W x H x D)	215 x 172 x 29mm (8.5 x 6.8 x 1.1in)
Weight	639g (with batteries)
Main power	DC 5V, 1A adaptor
Backup battery	3 x AAA size 1.5V batteries (alkaline recommended)
Operating temperature range	-5°C ~ 50°C

#### **Wi-fi Communication Specification**

Wi-fi standard	802.11 b/g/n
Wi-fi operating frequency :	2.4GHz
Supported router security type	WPA/WPA2, WPA3, OPEN, WEP (WEP only support Hexadecimal password)
Supported device for setup UI	Built-in WI-FI with AP mode function smart devices, laptops e.g.: Android smart phone, Android pad, iPhone, iPad or PC/Mac computer.
Recommended web browser for setup UI	Web browsers that support HTML 5, such as the latest version of Chrome, Safari, Edge, Firefox or Opera.

#### **Wireless Sensor side Communication Specification**

Support sensors	1 Wireless 7-IN-1 weather outdoor sensor and up to 7 Wireless hygro-thermo indoor sensors
RF frequency (depend on country version)	868Mhz (EU or UK version)
RF transmission range	150m

#### **Time Related Function Specification**

Time display	HH: MM: SS
Hour format	12hr AM / PM or 24 hr
Date display	DD / MM or MM / DD
Time synchronize method	Through Internet time server to synchronize the UTC
Weekday languages	EN / DE / FR / ES / IT / NL / RU
Time Zone	+13 ~ -12 hour
DST	AUTO / OFF

## Barometer Display & Function Specification

**Note:** The following details are listed as they are displayed or operate on the console.

Barometer unit	hPa, inHg and mmHg
Measuring range	540 ~ 1100hPa (relative setting range 930 ~ 1050hPa)
Accuracy	(700 ~ 1100hPa $\pm$ 5hPa) / (540 ~ 696hPa $\pm$ 8hPa) (20.67 ~ 32.48inHg $\pm$ 0.15inHg) / (15.95 ~ 20.55inHg $\pm$ 0.24inHg) (525 ~ 825mmHg $\pm$ 3.8mmHg) / (405 ~ 522mmHg $\pm$ 6mmHg) Typical at 25°C (77°F)
Resolution	1hPa / 0.01inHg / 0.1mmHg
Weather forecast	Sunny / Clear, Slightly Cloudy, Cloudy, Rainy, Rainy / Stormy and Snowy
Display modes	Current
Memory modes	Historical data of past 24 hours, daily Max / Min
Alarm	Pressure change alert

## Indoor / Outdoor Temperature Display & Function Specification

**Note:** The following details are listed as they are displayed or operate on the console.

Temperature unit	°C and °F
Outdoor accuracy	-40~-20°C $\pm$ 1.0°C (-40 ~ -4°F $\pm$ 1.8°F) -19.9~0°C $\pm$ 0.7°C (-3.8 ~ 32°F $\pm$ 1.3°F) 0.1~60°C $\pm$ 0.4°C (-32.1 ~ 140°F $\pm$ 0.7°F)
Indoor accuracy	-40 ~ 60°C $\pm$ 0.4°C (-40 ~ 140°F $\pm$ 0.7°F)
Resolution	°C / °F (1 decimal place)
Display modes	Current
Memory modes	Historical data of past 24 hours, daily Max / Min
Alarm	Hi / Lo temperature alert

## Indoor / Outdoor Humidity Display & Function Specification

**Note:** The following details are listed as they are displayed or operate on the console.

Humidity unit	%
Outdoor accuracy	1~9% RH $\pm$ 5% RH @25°C (77°F) 10~90% RH $\pm$ 3.5% RH @25°C (77°F) 91~99% RH $\pm$ 5% RH @25°C (77°F)
Indoor accuracy	1 ~ 90% RH $\pm$ 2.5% RH @ 25°C (77°F) 90 ~ 99% RH $\pm$ 3.5% RH @ 25°C (77°F)
Resolution	1%
Display modes	Current
Memory modes	Historical data of past 24 hours, Max / Min
Alarm	Hi / Lo Humidity Alert

## Wind Speed & Direction Display and Function Specification

**Note:** The following detail are listed as they are displayed or operate on the console.

Wind speed unit	mph, m/s, km/h and knots
Wind speed display range	0 ~ 112mph, 50m/s, 180km/h, 97knots
Resolution	mph, m/s, km/h and knots (1 decimal place)
Speed accuracy	< 5m/s: +/- 0.8m/s; > 5m/s: +/- 6% (whichever is greater)
Display mode	Gust / Average
Memory modes	Historical Data of past 24 hours, Max Gust / Average
Alarm	Hi Wind Speed Alert (Average)
Wind direction display mode	16 directions or 360 degree

## Rain Display & Function Specification

**Note:** The following details are listed as they are displayed or operate on the console.

Unit for rainfall	mm and in
Accuracy for rainfall	± 7% or 1 tip
Range of rainfall	0 ~ 19999mm (0 ~ 787.3 in)
Resolution	0.254mm (3 decimal place in mm)
Display modes	Current
Memory modes	Historical Data of the past 24 hours, Max
Rainfall display mode	Hourly / Daily / Weekly / Monthly / Total rainfall
Alarm	Hi Daily Rainfall Alert

## UV INDEX DISPLAY AND FUNCTION SPECIFICATION

**Note:** The following detail are listed as they are displayed or operate on the console.

Display range	0 ~ 16
Resolution	1 decimal place
Display mode	UV index, sunburn time
Memory modes	Historical Data of past 24 hours, Max
Alarm	Hi UV Alert

## LIGHT INTENSITY DISPLAY AND FUNCTION SPECIFICATION

**Note:** The following detail are listed as they are displayed or operate on the console

Light intensity unit	Klux, Kfc and W/m <sup>2</sup>
Display range	0 ~ 200Klux
Resolution	Klux, Kfc and W/m <sup>2</sup> (2 decimal place)
Memory modes	Historical Data of past 24 hours, Max
Alarm	Hi Light Intensity Alert

## Weather Index Display & Function Specification

**Note:** The following details are listed as they are displayed or operate on the console

Weather index mode	Feels like, Wind Chill, Heat Index and Dew point
Feels like display range	-65 ~ 50°C
Dew point display range	-20 ~ 80°C
Heat index display range	26 ~ 50°C
Wind chill display range	-65 ~ 18°C (wind speed >4.8km/h)
Display modes	Current
Memory modes	Historical Data of past 24 hours, Max / Min
Alarm	Feels like Hi/Lo Alert; Dew Point Hi/Lo Alert; Heat Index Hi Alert, Wind Chill Lo Alert

## WIRELESS 7-IN-1 SENSOR


Dimensions (W x H x D)	390 x 230 x 165 mm (15.4 x 9.1 x 6.5 inch) (not including pole and stand)
Weight	599g (without Batteries)
Backup power	3 x AA size 1.5V batteries (Non-rechargeable Lithium batteries recommended)
Weather data	Temperature, Humidity, Wind speed, Wind direction, Rainfall, UV and light intensity
RF transmission range	150m
RF frequency (depend on country version)	868Mhz (EU, UK)

Transmission interval	12 seconds
Operating range	-40 ~ 60°C (-40 ~ 140°F)
Operating humidity range	1 ~99% RH non-condensing

## WIRELESS THERMO-HYGROMETER SENSOR

Dimensions (W x H x D)	58 x 125 x 19 mm (2.3 x 4.9 x 0.7in)
Weight	144g (with Batteries)
Main power	2 x AA size 1.5V batteries (Alkaline batteries recommended)
Weather data	Temperature and Humidity
RF frequency	868MHz (EU or UK)
RF transmission range	150m (492 feet) straight distance
Transmission interval	60 seconds
Operating temperature range	-20 ~ 60°C (-20 ~ 140°F)
Operating humidity range	RH 1% to 99 % non-condensing


## EC DECLARATION OF CONFORMITY



 Hereby, Bresser GmbH declares that the equipment type with part number: WSX3001 is in compliance with Directive: 2014/53/EU. The full text of the EU declaration of conformity is available at the following internet address: [www.bresser.de/download/WSX3001/CE/WSX3001\\_CE.pdf](http://www.bresser.de/download/WSX3001/CE/WSX3001_CE.pdf)

## NOTES ON CLEANING

- Disconnect the device from the power supply before cleaning (pull out mains plug or remove batteries)!
- Follow the separate maintenance instructions in this manual.
- To avoid damage to the electronics, do not use cleaning liquid.

## DISPOSAL

 Dispose of the packaging materials properly, according to their type, such as paper or cardboard. You can contact your local waste-disposal service or environmental authority for information on the proper disposal.


 Do not dispose of electronic devices in the household garbage!  
 As per the Directive 2002/96/EC of the European Parliament on waste electrical and electronic equipment, used electronic devices must be collected separately and recycled in an environmentally friendly manner.

## WARRANTY & SERVICE


The regular warranty period is 2 years and begins on the day of purchase. To benefit from an extended voluntary warranty period as stated on the gift box, registration on our website is required.


You can consult the full warranty terms as well as information on extending the warranty period and details of our services at [www.bresser.de/warranty\\_terms](http://www.bresser.de/warranty_terms).

## **ZU DIESER ANLEITUNG**

 Diese Betriebsanleitung ist als Bestandteil des Gerätes zu betrachten. Bitte lesen Sie vor der Nutzung des Geräts die Sicherheitshinweise und die Bedienungsanleitung aufmerksam durch.

Bewahren Sie diese Bedienungsanleitung für die erneute Verwendung zu einem späteren Zeitpunkt auf. Bei Verkauf oder Weitergabe des Geräts ist die Bedienungsanleitung an jeden nachfolgenden Besitzer/ Benutzer des Produkts weiterzugeben.

 Dieses Symbol stellt eine Warnung dar. Um einen sicheren Gebrauch zu gewährleisten, halten Sie sich immer an die in dieser Dokumentation beschriebenen Anweisungen.

 Auf dieses Symbol folgt ein Benutzertipp.

## **! ALLGEMEINE WARNHINWEISE**

- **GEFAHR eines STROMSCHLAGS!** — Dieses Gerät beinhaltet Elektronikteile, die über eine Stromquelle (Batterien) betrieben werden. Kinder sollten das Gerät nur unter Aufsicht benutzen. Die Nutzung darf nur erfolgen, wie in der Anleitung beschrieben, andernfalls besteht die GEFAHR eines STROMSCHLAGS!
- **ERSTICKUNGSGEFAHR** — Kinder sollten das Gerät nur unter Aufsicht benutzen. Verpackungsmaterialien (Plastiktüten, Gummibänder, etc.) von Kindern fernhalten! Es besteht ERSTICKUNGSGEFAHR!
- **VERÄTZUNGSGEFAHR!** — Batterien außer Reichweite von Kindern aufbewahren! Achten Sie beim Einlegen der Batterie auf die richtige Polung. Ausgelaufene Batteriesäure kann zu Verätzungen führen! Vermeiden Sie den Kontakt von Batteriesäure mit Haut, Augen und Schleimhäuten. Spülen Sie bei Kontakt mit der Säure die betroffenen Stellen sofort mit reichlich klarem Wasser ab und suchen Sie einen Arzt auf.
- **BRAND-/EXPLOSIONSGEFAHR!** — Setzen Sie das Gerät keinen hohen Temperaturen aus. Benutzen Sie nur die empfohlenen Batterien. Gerät und Batterien nicht kurzschließen oder ins Feuer werfen! Durch übermäßige Hitze und unsachgemäße Handhabung können Kurzschlüsse, Brände und sogar Explosionen ausgelöst werden!
- Bauen Sie das Gerät nicht auseinander! Wenden Sie sich im Falle eines Defekts bitte an Ihren Fachhändler. Dieser nimmt mit dem Service-Center Kontakt auf und kann das Gerät ggf. zwecks Reparatur einschicken.
- Benutzen Sie nur die empfohlenen Batterien. Ersetzen Sie schwache oder verbrauchte Batterien immer durch einen komplett neuen Satz Batterien mit voller Kapazität. Verwenden Sie keine Batterien unterschiedlicher Marken oder unterschiedlich hoher Kapazität. Entfernen Sie die Batterien aus dem Gerät, wenn es längere Zeit nicht benutzt wird.

## **LIEFERUMFANG**

Basisstation, 7-in-1 Multisensor, Thermo-Hygro Innensensor, AC/DC Adapter (5V)

## **VOR DEM GEBRAUCH**

- Wir empfehlen die Verwendung von Alkali-Mangan-Batterien. Bei Temperaturen, die regelmäßig unter 0°C (32°F) fallen, empfehlen wir Lithiumbatterien.
- Verwenden Sie nach Möglichkeit keine Wiederaufladbaren Batterien. (Wiederaufladbare Batterien können auf Dauer die Leistungsanforderungen nicht erfüllen.)
- Legen Sie vor dem ersten Gebrauch die Batterien in das Batteriefach ein und achten Sie dabei auf die korrekte Polarität. Verbinden Sie den AC/DC-Adapter mit der Basisstation und legen Sie 3x AAA-Batterien als Notstromversorgung ein. Für den 7-in-1 Multisensor werden 3x AA-Batterien und für den Thermo-Hygro-Innensensor 2x AA-Batterien benötigt.

## TABLE OF CONTENTS

---

ZU DIESER ANLEITUNG . . . . .	33
ALLGEMEINE WARNHINWEISE . . . . .	33
LIEFERUMFANG . . . . .	33
VOR DEM GEBRAUCH . . . . .	33
EINLEITUNG . . . . .	35
ÜBERSICHT . . . . .	35
BASISSTATION . . . . .	35
LCD-DISPLAY . . . . .	36
DRAHTLOSER 7-IN-1 FUNKSENSOR . . . . .	36
INSTALLATION UND EINRICHTUNG . . . . .	37
EINRICHTUNG 7-IN-1 FUNKSENSOR . . . . .	37
THERMO-/HYGRO-FUNKSENSOR . . . . .	42
EINRICHTEN DER BASISSTATION . . . . .	44
SYNCHRONISIEREN SIE DEN/DIE ZUSÄTZLICHEN FUNKSENSOR(EN) (OPTIONAL) . . . . .	45
AUSRICHTEN DES 7-IN-1 FUNKSENSORS NACH SÜDEN . . . . .	45
ERSTELLEN EINES WETTERSERVER-ACCOUNTS & EINRICHTEN DER WLAN-VERBINDUNG . . . . .	45
WUNDERGROUND-KONTO ERSTELLEN . . . . .	46
WEATHERCLOUD-KONTO ERSTELLEN . . . . .	47
W-LAN-VERBINDUNG EINRICHTEN . . . . .	49
AWEKAS-KONTO ERSTELLEN . . . . .	49
EINRICHTEN DER VERBINDUNG ZUM WETTERSERVER . . . . .	50
ERWEITERTE EINSTELLUNGEN IM WEBINTERFACE . . . . .	52
SEHEN SIE SICH IHRE WETTERDATEN ÜBER WUNDERGROUND AN . . . . .	53
SEHEN SIE SICH IHRE WETTERDATEN ÜBER WEATHERCLOUD AN . . . . .	53
FIRMWARE-UPDATE . . . . .	53
ANDERE EINSTELLUNGEN & FUNKTIONEN DER BASISSTATION . . . . .	54
WECKZEITEINSTELLUNG . . . . .	55
ALARM- UND TEMPERATUR-VORALARM-FUNKTIOAKTIVIEREN . . . . .	56
TEMPERATUR- / LUFTFEUCHTIGKEITSFUNKTIONEN . . . . .	56
TRENDINDIKATOR . . . . .	57
WIND . . . . .	57
WETTER-INDEX . . . . .	59
WETTERVORHERSAGE . . . . .	60
BAROMETRISCHER DRUCK . . . . .	60
REGEN . . . . .	61
LICHTINTENSITÄT, UV-INDEX UND SONNENBRANDZEIT . . . . .	61
MAX/MIN-DATENAUFZEICHNUNG . . . . .	62
HISTORIE-DATEN DER LETZTEN 24 STUNDEN . . . . .	63
WETTER-ALARM-EINSTELLUNG . . . . .	63
HINTERGRUNDBELEUCHTUNG . . . . .	64
ANZEIGEKONTRAST . . . . .	64
WARTUNG . . . . .	64
BATTERIEWECHSEL . . . . .	64
WARTUNG DES 7-IN-1-FUNKSENSORS . . . . .	65
FEHLERBEHEBUNG . . . . .	65
SPEZIFIKATIONEN . . . . .	66
BASISSTATION . . . . .	66
7-IN-1 FUNKSENSOR . . . . .	69
THERMO-HYGRO-FUNKSENSOR . . . . .	69
EG-KONFORMITÄTSERKLÄRUNG . . . . .	70
HINWEISE ZUR REINIGUNG . . . . .	70
ENTSORGUNG . . . . .	70
GARANTIE & SERVICE . . . . .	70

## Einleitung

Vielen Dank, dass Sie sich für diese WLAN-Wetterstation mit professionellem 7-in-1-Sensor entschieden haben. Dieses System sammelt und lädt automatisch genaue und detaillierte Wetterdaten auf die Weather Underground und Weathercloud Website hoch. Dieser bekannte Wetterdienst ermöglicht es Wetterbeobachtern, ihre lokalen Wetterdaten mit automatisierten persönlichen Wetterstationen (PWS) hochzuladen und so Ihre Wetterdaten frei abzurufen. Dieses Produkt bietet professionellen Wetterbeobachtern oder ernsthaften Wetterliebhabern robuste Leistung mit einer Vielzahl von Optionen und Sensoren. Sie erhalten Ihre eigene lokale Vorhersage, mit aktuellen oder Höchst-/Tiefstwerten für nahezu alle Wettervariablen, auch ohne PC/Mac.

Der 7-in-1-Sensor, der Außentemperatur, Luftfeuchtigkeit, Wind, Regen, UV und Licht misst, überträgt zusammen mit bis zu 7 individuellen Temperatur-Feuchtigkeitssensoren, die sich kontinuierlich zu einem Sensor-Array von maximal 7 Einheiten addieren können, Wetterdaten an die Basisstation. Beide Sensoren sind komplett vormontiert und kalibriert für eine einfache Inbetriebnahme. Sie senden die Daten über eine Niedrigenergie-Funkfrequenz im freien Gelände über eine Entfernung von bis zu 150m (450 Fuß) zur Basisstation (Sichtlinie).

In der Konsole arbeiten Hochgeschwindigkeitsprozessoren, die die empfangenen Wetterdaten analysieren und diese Echtzeitdaten können über Ihren heimischen W-LAN-Router auf [Wunderground.com](http://Wunderground.com) und [weathercloud.net](http://weathercloud.net) übertragen werden. Die Basisstation kann auch mit dem Internet-Zeitserver synchronisiert werden, um eine hochpräzise Zeit anzuzeigen und um den Zeitstempel der Wetterdaten zu erhalten. Das farbige LCD-Display zeigt informativ Wetteraufzeichnungen mit erweiterten Funktionen, wie z.B. Höchst-/Tiefstwert-Vorwarnung, verschiedene Wetter-Indexe und MAX/MIN-Aufzeichnungen. Mit den Funktionen zu Sonnenaufgang-/untergang und zur Mondphase ist dieses System wirklich eine bemerkenswerte Wetterstation sowohl für den Hobby- als auch den professionellen Bereich.

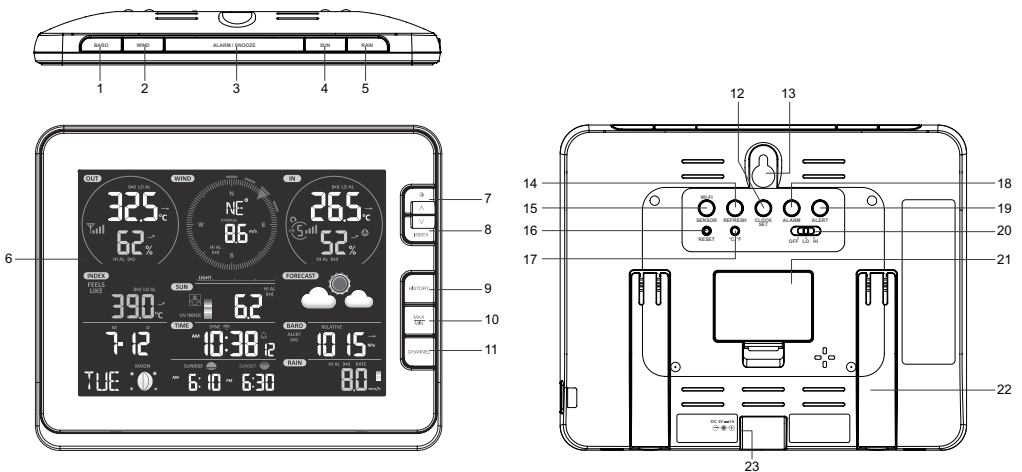


### HINWEIS:

Diese Bedienungsanleitung enthält nützliche Informationen über den richtigen Gebrauch und die richtige Pflege dieses Produkts. Bitte lesen Sie dieses Handbuch durch, um seine Funktionen vollständig zu verstehen und zu genießen und es für den zukünftigen Gebrauch griffbereit zu halten.

## Übersicht

### Basisstation

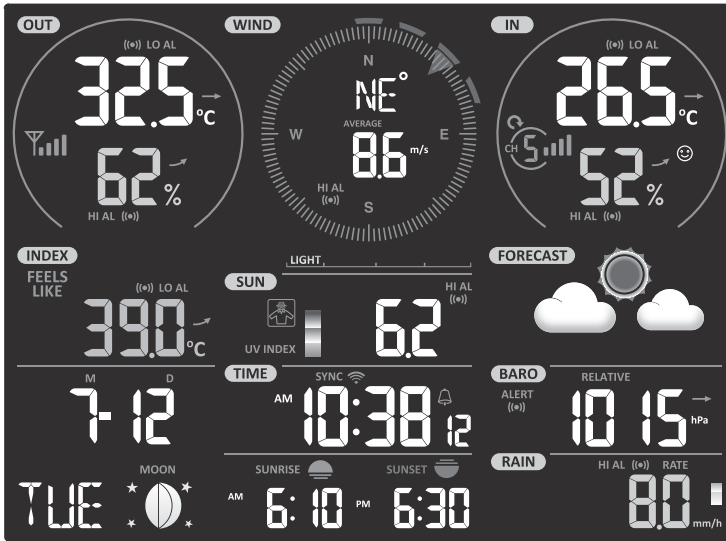


- |                              |                              |                          |
|------------------------------|------------------------------|--------------------------|
| 1. [ BARO ] -Taste           | 3. [ ALARM / SNOOZE ] -Taste | 6. LCD-Bildschirm        |
| 2. [ WIND ] -Taste           | 4. [ SUN ] -Taste            |                          |
| 3. [ ALARM / SNOOZE ] -Taste | 5. [ RAIN ] -Taste           |                          |
| 7. [ ⬇ / ⬆ ] -Taste          |                              |                          |
| 8. [ INDEX / √ ] -Taste      | 9. [ HISTORY ] -Taste        | 10. [ MAX / MIN ] -Taste |



- 11. [ CHANNEL ]-Taste
- 12. [ CLOCK SET ]-Taste
- 13. Wandhalterung
- 14. [ REFRESH ]-Taste
- 15. [ SENSOR / WI-FI ]-Taste
- 16. [ RESET ]-Taste
- 17. [ °C / °F ]-Taste
- 18. [ ALARM ]-Taste
- 19. [ ALERT ]-Taste
- 20. [ OFF / HI / LO ]-Taste
- 21. Batteriefachabdeckung
- 22. Standfuß
- 23. Stromanschlussbuchse

**LCD-DISPLAY**

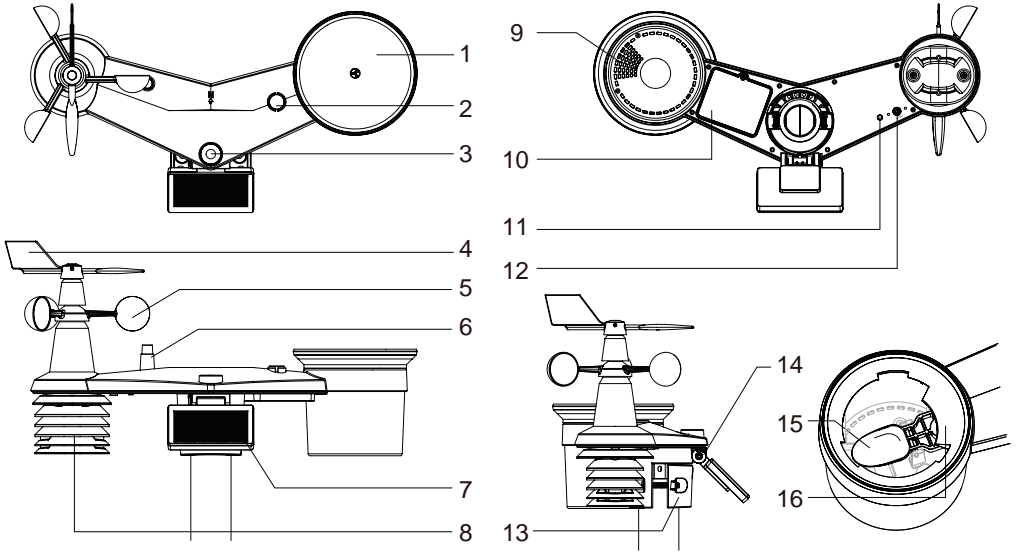


1	2	3
4	5	6
7	8	9
	10	11

**Display-Bereiche:**

- 1. Außentemperatur & -luftfeuchtigkeit
- 2. Windrichtung & -geschwindigkeit
- 3. Temperatur und Luftfeuchtigkeit in Innenräumen (Ch)
- 4. Wetter-Index
- 5. UV Index & Lichtintensität (Sonne)
- 6. Wettervorhersage
- 7. Kalender & Mondphase
- 8. Uhrzeit / Alarm
- 9. Barometer
- 10. Sonnenaufgang/Sonnenuntergang Zeit
- 11. Niederschlag & Regenrate

## DRAHTLOSER 7-IN-1 FUNKSENSOR



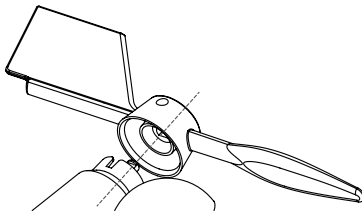
- |                    |   |   |
|--------------------|---|---|
| 1. Regensammler    | 7. Solarpanel                               | 12. [ RESET ]-Taste                         |
| 2. Balance-Anzeige | 8. Strahlungsschutz und Thermo-Hygro-Sensor | 13. Montageklemme                           |
| 3. UVI/Lichtsensor | 9. Abflusslöcher                            | 14. Einstellbares Scharnier des Solarpanels |
| 4. Windfahne       | 10. Batteriefachabdeckung                   | 15. Kippbehälter                            |
| 5. Windschalen     | 11. Rote LED-Anzeige                        | 16. Regensensor                             |
| 6. Antenne         |   |   |

## INSTALLATION UND EINRICHTUNG

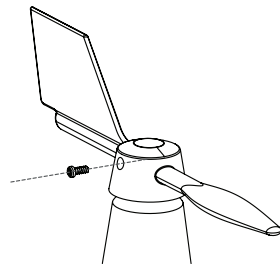
### EINRICHTUNG 7-IN-1 FUNKSENSOR

#### WINDFAHNE INSTALLIEREN

(a) Richten Sie die flache Fläche auf der Windfahnenwelle auf die flache Fläche der Windfahne aus und schieben Sie die Windfahne auf die Welle, siehe Bild unten. (b) Ziehen Sie die Stellschraube mit einem Präzisionserschraubendreher fest.



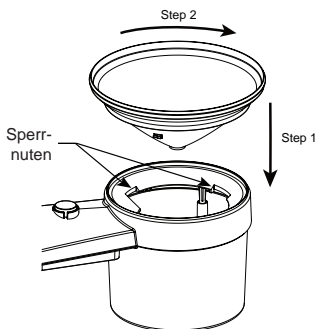
Schritt 1



Schritt 2

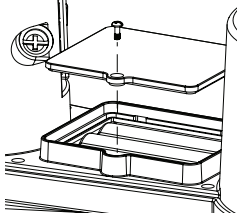
## AUFFANGTRICHTER DES REGENMESSERS EINSETZEN

Setzen Sie den Auffangtrichter des Regenmessers ein und drehen Sie ihn im Uhrzeigersinn, um ihn am Sensor zu befestigen.



## BATTERIEN EINLEGEN

Schrauben Sie die Batteriefachabdeckung an der Unterseite des Geräts auf. Legen Sie die 3x AA-Batterien (nicht wiederaufladbar) entsprechend der angegebenen +/- Polarität ein. Die rote LED-Anzeige auf der Rückseite des Multisensors leuchtet auf und blinkt alle 12 Sekunden.



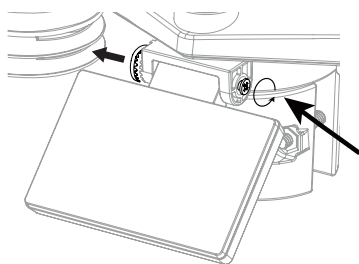
## EINSTELLEN DES SOLARPANELS

Der Neigungswinkel des Solarmoduls kann vertikal auf die Positionen 0° bis 15°, 30°, 45° oder 60° eingestellt werden, je nachdem, in welcher Gegend Sie wohnen. Für eine optimale Leistungsabgabe das ganze Jahr über stellen Sie bitte den Neigungswinkel ein, der Ihrem Breitengrad am nächsten kommt. z.B.

Standort (Breitengrad, Längengrad)	Neigungswinkel des Solarmoduls	
Hamburg (53.558, 9.7874)	60°	
Chicago (42.1146, -88.0464)	45°	
Houston (29.7711, -95.3552)	30°	
Bangkok (14.2752, 100.5684)	15°	
Sydney (-33.5738, 151.3053) *	30°	

\*Bei Sensoren, die in der südlichen Hemisphäre installiert werden, müssen die Sonnenkollektoren nach Norden ausgerichtet sein.

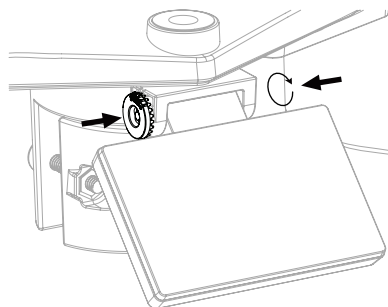
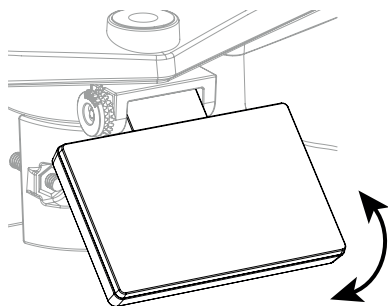
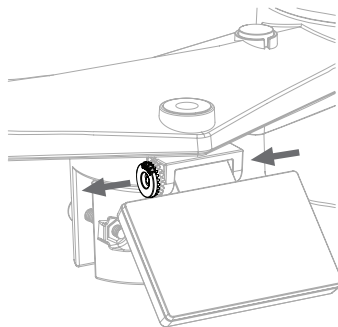
Schritt 1: Lösen Sie die Schraube leicht, bis sich das Zahnrad auf der gegenüberliegenden Seite aus der Sperreposition gelöst hat.



Schritt 2: Lösen Sie die Schraube leicht, bis sich das Zahnrad auf der gegenüberliegenden Seite aus der Sperrposition gelöst hat.

Schritt 3: Stellen Sie den vertikalen Winkel des Solarmoduls ( $0^\circ$ ,  $15^\circ$ ,  $30^\circ$ ,  $45^\circ$ ,  $60^\circ$ ) entsprechend dem Breitengrad Ihres Standorts ein.

Schritt 4: Setzen Sie das Zahnrad ein und ziehen Sie die Schraube an, bis das Zahnrad sicher eingerastet ist.



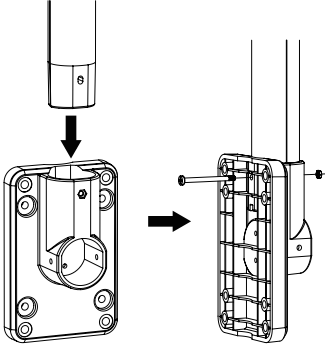
## MONTAGE-KIT

		
1. Montagesockel x 1	2. Montageklemme x 1	3. Kunststoffstange x 1
		
4. Schrauben x 4	5. Sechskantmutter x 4	6. Unterlegscheiben x 4
		
7. Schraube x 1	8. Sechskantmutter x 1	9. Gummipadss x 4

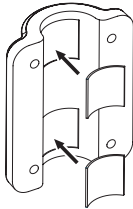
## MONTAGE MIT KUNSTSTOFFSTANGE

1. Befestigen Sie die Kunststoffstange mit dem Montagesockel, der Montageklemme, den Unterlegscheiben, Schrauben und Muttern an einen festen Mast. Nachfolgend in dieser Reihenfolge 1a, 1b, 1c:

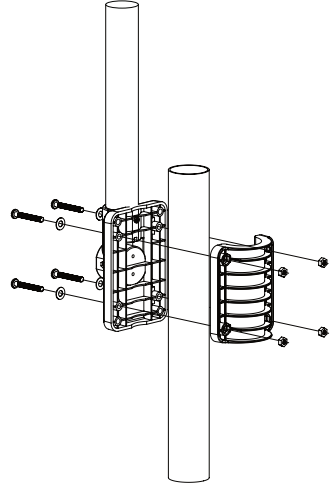
1a. Stecken Sie die Kunststoffstange in die Aufnahme am Montagesockel und befestigen Sie sie mit der Schraube und der Mutter.



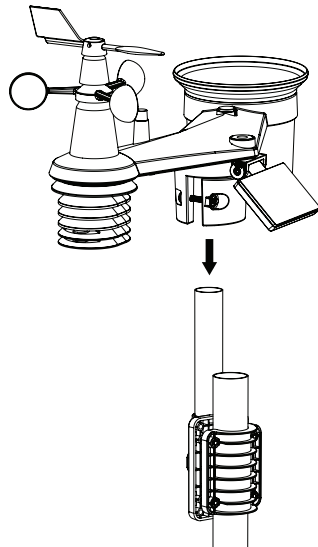
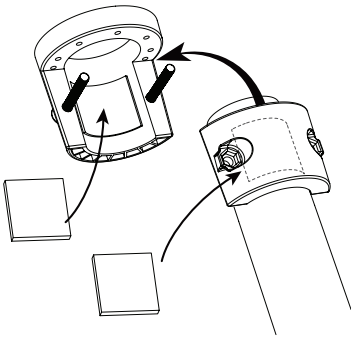
1b. Bringen Sie 2 Gummibeläge an der Montageklemme an.



1c. Befestigen Sie den Montagesockel und die Klemme zusammen mit 4 langen Schrauben und Muttern an einem festen Mast.




2. Bringen Sie 2 Gummibeläge an den Innenseiten des Montagesockels und der Klemme des Sensors an.
3. Setzen Sie den Sensor auf die Montagestange auf und richten Sie ihn nach Norden aus, bevor Sie die Schrauben anziehen.



## HINWEIS:

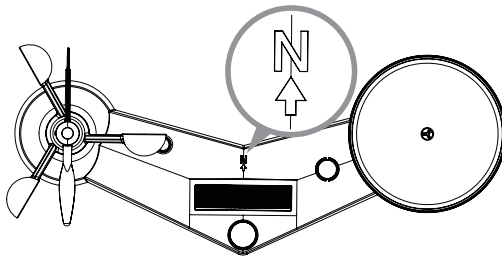
- Jedes Metallobjekt kann Blitzeinschläge anziehen, auch der Befestigungsmast Ihres Multisensors. Installieren Sie den Multisensor niemals an stürmischen Tagen.
- Wenn Sie einen Multisensor an einem Haus oder Gebäude installieren möchten, wenden Sie sich an einen zugelassenen Elektroingenieur, um eine ordnungsgemäße Erdung sicherzustellen. Ein direkter Blitzeinschlag in einen Metallmast kann Ihr Haus beschädigen oder zerstören.
- Die Installation des Sensors an hoch gelegenen Stellen kann zu Verletzungen oder zum Tod führen. Führen Sie so viele Testbetriebe wie möglich am Boden und in Gebäuden oder Häusern durch. Installieren Sie den Multisensor nur bei gutem, regenfreiem Wetter.

## AUSRICHTUNG

 Installieren Sie den 7-in-1 Multisensor an einem frei zugänglichen Ort ohne Hindernisse über und um den Sensor herum, um eine genaue Regen- und Windmessung zu gewährleisten.

Richten Sie die Nordmarkierung (N) oben auf dem 7-in-1-Sensor nach der endgültigen Installation mit einem Kompass oder GPS nach Norden aus. Befestigen Sie die Halterung mit den beiden mitgelieferten Schrauben und Muttern an einem Mast mit 30 bis 40 mm Durchmesser (nicht im Lieferumfang enthalten).

Verwenden Sie die Wasserwaage am 7-in-1-Multisensor, um sicherzustellen, dass der Sensor für eine korrekte Messung von Niederschlag, UV-Strahlung und Lichtintensität vollkommen waagrecht ist.



Nordmarkierung oben auf dem 7-in-1 Multisensor.

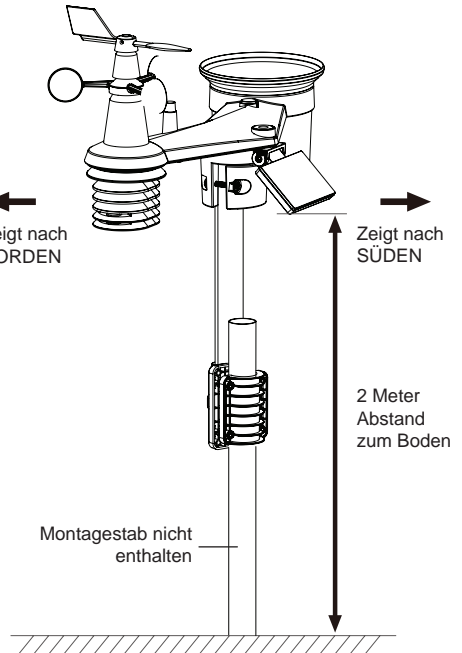
Verwenden Sie die Libelle am 7-in-1-Multisensor, um sicherzustellen, dass der Sensor für die korrekte Niederschlagsmessung vollkommen waagrecht ist.


## AUSRICHTEN DES 7-IN-1 FUNKSENSORS NACH SÜDEN

Für eine maximale Genauigkeit wurde der 7-in-1 Außensensor für die Ausrichtung nach Norden kalibriert. Den Bedürfnissen des Anwenders entsprechend (z. B. Anwender auf der Südhalbkugel) ist es jedoch möglich, den Sensor mit der Windfahne nach Süden gerichtet zu verwenden.

Installieren Sie den 7-in-1 Funksensor so, dass das Ende des Windmessers nach Süden zeigt. (Einzelheiten zur Montage des drahtlosen 7-IN-1-Sensors finden Sie im Abschnitt

## AUSRICHTUNG DES SÜDENDE-SENSORS )

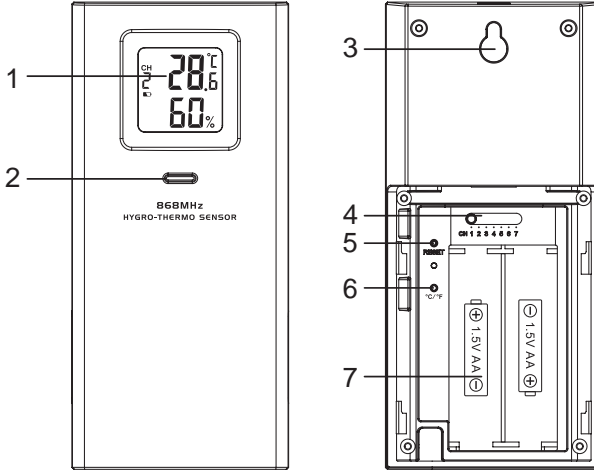


- Wählen Sie "S" im Abschnitt "Hemisphäre" auf der Einrichtungsseite der Benutzeroberfläche. (Einzelheiten zur Einrichtung finden Sie auf der Seite **EINRICHTEN DER WETTERSERVERVERBINDUNG** im Bereich SETUP)
- Drücken Sie das  Symbol zum Bestätigen und Beenden.

### HINWEIS:

Der Wechsel der Hemisphären-Einstellung führt automatisch zum Richtungswechsel der Mondphasen-Anzeige auf dem Display.

## THERMO-HYGRO-FUNKSENSOR



- LCD-Bildschirm
- LED für den Übertragungsstatus
- Wandhalterung
- [ CHANNEL ] -Schiebeschalter
- [ RESET ]
- [ °C / °F ]
- Batteriefach

## INSTALLATION EINES DRAHTLOSEN THERMO-HYGROSENSORS FÜR INNENRÄUME


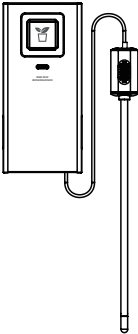
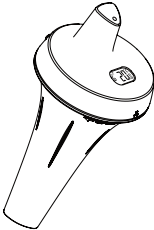
- Entfernen Sie die Batteriefachabdeckung des Sensors.
- Stellen Sie mit dem Kanalschiebeschalter die Kanalnummer für den Sensor ein (z. B. Kanal 1)
- Legen Sie 2 x Batterien der Größe AA entsprechend den Polaritätsangaben auf dem Batteriefach ein und schließen Sie das Batteriefach wieder.
- Der Sensor befindet sich im Synchronisationsmodus und kann innerhalb der nächsten Minuten mit der Basisstation verbunden werden. Die LED für den Übertragungsstatus blinkt.

### HINWEIS:

- Wenn Sie den Sensorkanal neu zuordnen müssen, schieben Sie den Kanalschiebeschalter auf die neue Kanalposition. Damit die neue Kanalnummer wirksam wird, drücken Sie die Taste [ RESET ] am Sensor.
- Setzen Sie den Sensor nicht direktem Sonnenlicht, Regen oder Schnee aus.

## OPTIONALER SENSOR

Die Wetterstation arbeitet mit den folgenden optionalen Sensoren zusammen:

<b>MODELL</b>	7009971	7009972	7009973
<b>KANALANZAHL</b>	7		
<b>BESCHREIBUNG</b>	Thermo-Hygrosensor	Bodenfeuchte- und Temperatursensor	Thermometer für Whirlpool und Pool
<b>BILD</b>			

### EMPFEHLUNG FÜR EINE OPTIMALE DRAHTLOSE ÜBERTRAGUNG

Störsignale der Umgebung oder eine zu große Entfernung bzw. Hindernisse zwischen dem Sensor und der Basisstation können die reibungslose drahtlose Kommunikation beeinträchtigen.

1. Elektromagnetische Störungen - diese können von Maschinen, Geräten, Beleuchtung, Dimmern und Computern usw. erzeugt werden. Halten Sie daher Ihre Basisstation 1 bis 2 Meter von diesen Objekten entfernt.
2. Funkstörung - wenn Sie andere Geräte haben, die auf den Frequenzen 868, 915, oder 917 MHz senden, kann die Verbindung unterbrochen werden. Bitte positionieren Sie Ihren Sensor oder Ihre Basisstation neu, um das Problem der Signalunterbrechung zu vermeiden.
3. Entfernung. Mit erhöhter Entfernung tritt ganz natürlich auch Leistungsverlust ein. Dieses Gerät ist für eine Sichtverbindung von bis zu 100 m (in störungsfreier Umgebung und ohne Barrieren) ausgelegt. In der Regel erhalten Sie jedoch bei einer realen Installation eine maximale Reichweite von 30 m, die auch das Passieren von Hindernissen einschließt.
4. Hindernisse. Funksignale werden durch Metallbarrieren wie Aluminiumverkleidungen blockiert. Wenn Sie eine Metallverkleidung am Haus haben, richten Sie den Multisensor und die Basisstation so aus, dass sie sich in einer freien Sichtlinie durch ein Fenster befinden.

Die folgende Tabelle zeigt typische Signalverluste bei der Überwindung unterschiedlicher Hindernisse

MATERIALIEN	REDUZIERUNG DER SIGNALSTÄRKE
Glas (unbehandelt)	10 ~ 20%
Holz	10 ~ 30%
Gipskarton / Trockenbau	20 ~ 40%
Ziegelstein	30 ~ 50%
Isolierung aus Folie	60 ~ 70%
Betonwand	80 ~ 90%
Aluminium Verkleidung	100%
Metallwand	100%

Bemerkungen: RF-Signalreduzierung als Referenz.



## **EINRICHTEN DER BASISSTATION**

### **EINSCHALTEN DER KONSOLE**

1. Stecken Sie den mitgelieferten Adapter in die Netzbuchse auf der Rückseite der Konsole.
2. Nach dem Einschalten der Konsole werden alle Segmente der LCD-Anzeige kurzzeitig angezeigt.
3. Die Konsole wechselt automatisch in den Sensor-Synchronisationsmodus und den AP-Modus (siehe **EINRICHTUNG DER WI-FI-VERBINDUNG**).



### **HINWEIS:**

Wenn beim Einschalten der Basisstation keine Anzeige erscheint. Sie können die Taste [ RESET ] mit einem spitzen Gegenstand drücken. Wenn dieser Vorgang immer noch nicht funktioniert, können Sie die Notstrom-Batterie und das Netzteil entfernen und dann wieder einstecken, um die Basisstation erneut einzuschalten.

### **SYNCHRONISIEREN DER DRAHTLOSEN 7-IN-1- UND INDOOR-SENSOREN**

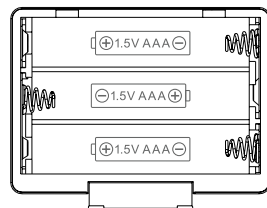
Unmittelbar nach dem Einschalten, noch im Synchronisationsmodus, können der 7-in-1-Sensor und der Innenraumsensor automatisch mit der Konsole gekoppelt werden. Sobald Ihr Sensor verbunden ist, erscheinen die Anzeige der Sensorsignalstärke und Wetterinformationen auf Ihrer Konsolenanzeige.

### **BACKUP-BATTERIE**

Pufferbatterien werden verwendet, um zeitkritische Informationen während eines Stromausfalls im Speicher der Konsole zu halten. Dazu gehören:

*- Zeit & Datum, Alarmzeit, Max/Min und Wetteraufzeichnungen der letzten 24 Stunden, Alarmeinstellungswerte, Sensor(en)-Kanalverlauf und Einheiten*

1. Entfernen Sie die Batteriefachabdeckung der Basisstation.
2. Legen Sie 3 neue AAA-Batterien entsprechend der angegebenen Polarität ein,
3. Setzen Sie die Batteriefachabdeckung wieder ein.



### **INTERNER SPEICHER**

Die Basisstation verfügt über einen eingebauten FLASH-Speicher, in dem die wichtigsten Einstellungen gespeichert sind. Dazu gehören:

*- Zeitzone, (DST) Sommerzeit-Status, Status der Zeitsynchronisation, WIFI- und Wetterserver-Einstellung, Breitengrad / Längengrad, Hemisphären-Einstellung, Kalibrierungswerte und Sensor-ID des/der gekoppelten Sensors/Sensoren*

### **ZURÜCKSETZEN UND ZURÜCKSETZEN AUF WERKSEINSTELLUNG**

Um die Basisstation zurückzusetzen und neu zu starten, drücken Sie die [ RESET ] -Taste einmal

Um die Konsole zurückzusetzen und die Werkseinstellungen wiederherzustellen, halten Sie die [ RESET ] -Taste 6 Sekunden lang gedrückt

### **SENSOREN NEU SYNCHRONISIEREN**

Drücken Sie einmal die [ SENSOR / WI-FI ] -Taste, damit die Basisstation in den Sensor-Synchronisationsmodus wechselt. Die Basisstation registriert dann alle Sensoren neu, die bereits zuvor bei ihr registriert wurden, d. h. die Basisstation verliert nicht die Verbindung der Sensoren, die Sie zuvor gekoppelt hatten.

## **BATTERIEN WECHSELN UND VERBINDUNG MIT DEM SENSOR MANUELL HERSTELLEN**

Wenn Sie die Batterien des Funksensors wechseln, muss eine erneute Synchronisierung manuell erfolgen.

1. Ersetzen Sie alle Batterien im Sensor durch neue.
2. Drücken Sie die [ **SENSOR / WI-FI** ]-Taste an der Basisstation, um den Sensor-Synchronisationsmodus aufzurufen.
3. Drücken Sie die Taste [ **RESET** ] am drahtlosen Thermo-Hygro- oder 7-in-1 Sensor.

## **SYNCHRONISIEREN SIE DEN/DIE ZUSÄTZLICHEN FUNKSENSOR(EN) (OPTIONAL)**

Diese Basisstation unterstützt bis zu 7 zusätzliche Funksensoren.

1. Drücken Sie die [ **SENSOR / WI-FI** ]-Taste an der Basisstation, um den Synchronisationsmodus aufzurufen.
2. Drücken Sie die Taste [ **RESET** ] am neuen Sensor und warten Sie ein paar Minuten, bis der neue Sensor mit der Basisstation gepaart ist.




### **HINWEIS:**

- Die Kanalnummer des Sensors darf bei den Sensoren nicht doppelt vorhanden sein. Weitere Informationen finden Sie unter "**INSTALLATION DES KABELLOSEN INNENSENSORS**".
- Diese Basisstation unterstützt verschiedene Arten von zusätzlichen Funksensoren, z.B. Bodenfeuchtigkeits- und Poolsensoren. Wenn Sie weitere Sensoren koppeln möchten, erkundigen Sie sich bitte bei Ihrem Händler nach weiteren Details.

## **AUSRICHTEN DES 7-IN-1 FUNKSENSORS NACH SÜDEN**

Für eine maximale Genauigkeit wurde der 7-in-1 Außensensor für die Ausrichtung nach Norden kalibriert. Den Bedürfnissen des Anwenders entsprechend (z. B. Anwender auf der Südhalbkugel) ist es jedoch möglich, den Sensor mit der Windfahne nach Süden gerichtet zu verwenden.

1. Installieren Sie den 7-in-1 Funksensor so, dass das Ende des Windmessers nach Süden zeigt. (siehe **7-in-1 Funkwetter sensor EINRICHTEN** für Details zur Montage)
2. Wählen Sie "S" im Abschnitt "Hemisphäre" auf der Einrichtungsseite der Benutzeroberfläche. (Einzelheiten zur Einrichtung finden Sie im Abschnitt **EINRICHTEN DER WETTERSERVERVERBINDUNG**)
3. Drücken Sie das  Symbol zum Bestätigen und Beenden.



### **HINWEIS:**

Der Wechsel der Hemisphären-Einstellung führt automatisch zum Richtungswechsel der Mondphasen-Anzeige auf dem Display.

## **ERSTELLEN EINES WETTERSERVER-ACCOUNTS & EINRICHTEN DER WLAN-VERBINDUNG**

Die Basisstation kann Wetterdaten auf WUnderground und/oder Weathercloud über den W-LAN Router hochladen. Folgen Sie den nächsten Schritten, um Ihr Gerät einzurichten.



### **HINWEIS:**

Änderungen an den Webseiten WUnderground und Weathercloud sind ohne Ankündigungen möglich.

## WUNDERGROUND-KONTO ERSTELLEN

1. Klicken Sie unter <https://www.wunderground.com> auf "**Join**" ("Beitreten") in der rechten oberen Ecke, um die Registrierungsseite zu öffnen. Folgen Sie den Anweisungen, um Ihr Konto zu erstellen.



### HINWEIS:

Verwenden Sie die gültige E-Mail-Adresse, um Ihr Konto zu registrieren.

2. Nachdem Sie Ihr Konto erstellt und die E-Mail-Validierung abgeschlossen haben, gehen Sie bitte zurück zur Wunderground Webseite, um sich anzumelden. Klicken Sie dann oben auf die Schaltfläche "**My Profile**" ("Mein Profil"), um das Drop-down-Menü zu öffnen, und klicken Sie auf "**My Weather Station**" ("Meine Wetterstation").



3. Auf der Seite "Meine Wetterstation", bitte die Schaltfläche "Neues Gerät hinzufügen" anklicken, um Ihr Gerät hinzuzufügen.
4. Folgen Sie den Anweisungen zur Eingabe Ihrer Stationsinformationen, im Schritt „Mehr über Ihr Gerät“, (1) geben Sie einen Namen für Ihre Wetterstation ein. (2) wählen Sie "**Other**" "Andere" im Abschnitt "**Device Hardware**" "Gerätehardware" und füllen Sie andere Informationen aus (3) wählen Sie "**I Accept**" "Ich akzeptiere", um die Datenschutzbestimmungen von Weather underground zu akzeptieren, (4) klicken Sie auf "**Next**" "Weiter", um Ihre Stations-ID und Ihren Schlüssel zu erstellen.

**Add a New pws**

TYPE LOCATION DETAILS DONE

Tell Us More About Your Device

75%

Name (Required):

Surface Type:

(1) Device Hardware (Required):  (2) Associate Webcam:

(2) Height Above Ground:

You Make Our Forecasts More Accurate. We Respect Your Privacy

Contribute to the Weather Underground community by sharing some information about yourself and your station. We use this information to manage your account and to improve the experience from the Weather Underground community. We may also share option data for commercial purposes, such as your sensor location.

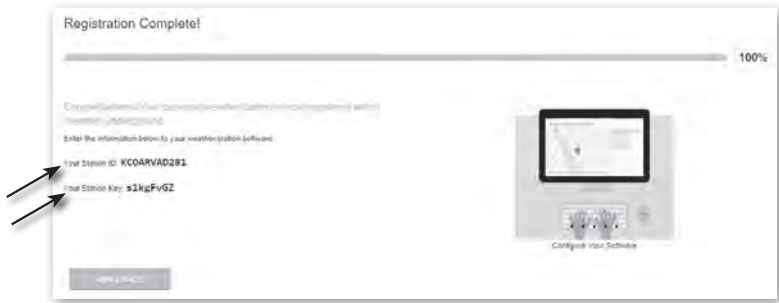
Learn more about how we use your station's location.

(3) (Required)  I Accept  I Deny

Exact Preferences:  I would like to receive IPMS notifications

(4)

5. Notieren Sie sich Ihre "Station ID" und den "Station Key" für die weiteren Einrichtungsschritte.



## **WEATHERCLOUD-KONTO ERSTELLEN**

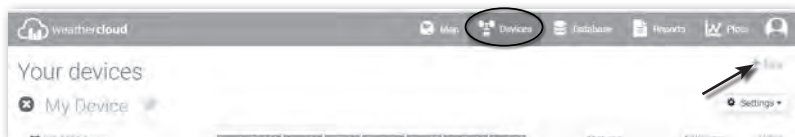
1. Geben Sie unter <https://weathercloud.net> Ihre Daten im Abschnitt "Join us today" ("Heute beitreten") ein und folgen Sie dann den Anweisungen zur Erstellung Ihres Kontos.



### **HINWEIS:**

Verwenden Sie eine gültige E-Mail-Adresse, um Ihr Konto zu registrieren.

2. Melden Sie sich bei Weathercloud an und gehen Sie dann auf die Seite „Devices“ („Geräte“), klicken Sie auf „+ New“ („+ Neu“), um ein neues Gerät zu erstellen.



3. Geben Sie alle Informationen auf der Seite **Neues Gerät erstellen** ein, bei dem Auswahlfeld **Model\*** wählen Sie die **"W100 Series"** unter **"CCL"**. Wählen Sie für das Auswahlfeld **Link-Typ\*** die Option **"EINSTELLUNGEN"**, klicken Sie abschließend auf **Erstellen** .

The screenshot shows a web form titled "Create new device". It has two main sections: "Basic information" and "Location".

- Basic information:**
  - Name:
  - Model:
  - Link type:
  - Website:
  - Description:
- Location:**
  - Country:
  - State / Province:
  - City:
  - Time zone:
  - Get coordinates:
  - Latitude:
  - Longitude:
  - Altitude:  m
  - Height:  m

An arrow points to the "Create" button in the bottom right corner.

4. Notieren Sie sich Ihre ID und Ihren Schlüssel für die weiteren Einrichtungsschritte.

The screenshot shows a dialog box titled "Link device". It contains the following information:

- The link details for your device **WT\_station** are provided below:
- Weathercloud ID:
- Key:

Two arrows point to the Weathercloud ID and Key fields.

## W-LAN-VERBINDUNG EINRICHTEN

1. Wenn Sie die Basisstation zum ersten Mal einschalten, zeigt das Konsolen-LCD das blinkende "AP"- und "📶"-Symbol an, um anzuzeigen, dass sie sich im AP-Modus (Access Point) befindet und für die WI-FI-Einstellungen bereit ist. Der Benutzer kann auch die Taste [ **SENSOR / WI-FI** ] 6 Sekunden lang gedrückt halten, um manuell in den AP-Modus zu gelangen.
2. Verwenden Sie ein Smartphone, Tablet oder Computer, um die Basisstation mit dem WLAN zu verbinden.
3. Wählen Sie im PC/Mac die WLAN-Netzwerkeinstellungen oder im Android / iOS die Einstellung → WI-FI, um die SSID der Basisstation auszuwählen: *PWS-XXXXXX* in der Liste und es wird einige Sekunden dauern, bis die Verbindung hergestellt ist.



PC (Windows 10) WLAN Netzwerkschnittstelle



Android W-LAN Netzwerkschnittstelle

4. Geben Sie nach der Verbindung die folgende IP-Adresse in die Adressleiste Ihres Internetbrowsers ein, um auf die Weboberfläche der Basisstation zuzugreifen:

**http://192.168.1.1**



### **HINWEIS :**



- Einige Browser behandeln **192.168.1.1** wie eine Suche. Stellen Sie daher sicher, dass Sie auch **http://** vor der IP-Adresse eingeben.
- Empfohlene Browser, wie z.B. die neueste Version von Chrome, Safari, Edge, Firefox oder Opera.
- WI-FI-Netzwerkschnittstelle von PC / Mac oder Mobiltelefon vorbehalten Änderungen.

## AWEKAS-KONTO ERSTELLEN

Sie haben die Möglichkeit, einen Wetterdienst eines Drittanbieters zu nutzen, wie hier am Beispiel von AWEKAS (<https://join.awekas.at>) gezeigt. Eine detaillierte Anleitung zur Einrichtung von AWEKAS steht ebenfalls zum Download bereit: <https://www.bresser.de/download/WSX3001>

## STATUS DER WLAN-VERBINDUNG

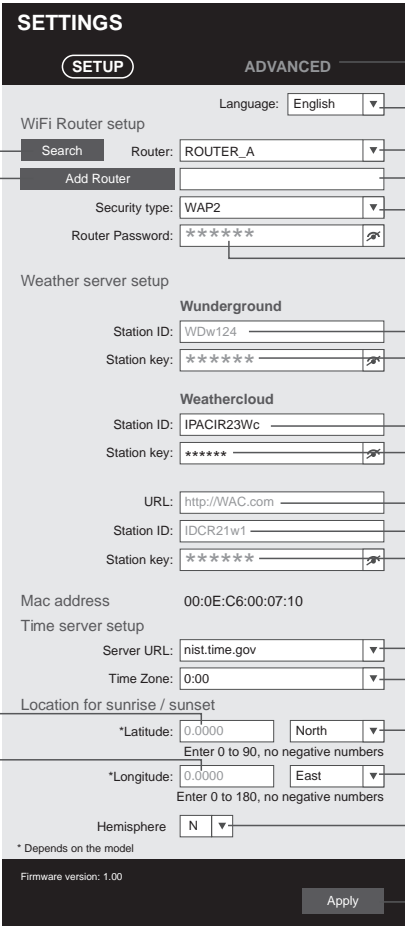
Nachfolgend finden Sie den Status des WLAN Symbols auf dem LCD Display der Basisstation

		
Stabil: Die Basisstation ist mit dem WLAN-Router verbunden.	Blinkend: Die Basisstation versucht, sich mit dem WLAN Router zu verbinden	Blinkend: Die Basisstation befindet sich derzeit im Access Point (AP)-Modus

## EINRICHTEN DER VERBINDUNG ZUM WETTERSERVER

Geben Sie die folgenden Informationen in die untenstehende Weboberfläche "SETUP" ein, um die Basisstation mit dem Wetterserver zu verbinden. Wenn Sie [Wunderground.com](http://Wunderground.com) oder [Weathercloud.net](http://Weathercloud.net) nicht verwenden möchten, leeren Sie bitte die Stationskennung und den Schlüssel, um den Datenupload zu ignorieren.

SETUP page



The screenshot shows the 'SETTINGS' page with the 'SETUP' tab selected. It is divided into several sections: 'WiFi Router setup', 'Weather server setup', 'Mac address', and 'Time server setup'. Each section contains various input fields and dropdown menus. Annotations with arrows point to specific elements, explaining their function. For example, 'Search' and 'Add Router' buttons are used to find or manually enter a router. The 'Weather server setup' section includes options for 'Wunderground' and 'Weathercloud', with fields for 'Station ID', 'Station key', and 'URL'. The 'Time server setup' section includes 'Server URL', 'Time Zone', and 'Location for sunrise / sunset' (with latitude and longitude fields). The 'Mac address' field is pre-filled with '00:0E:C6:00:07:10'. The 'Hemisphere' dropdown is set to 'N'. The 'Apply' button is at the bottom right.

**SETTINGS**

**SETUP**      **ADVANCED**

Language: English

WiFi Router setup

Search Router: ROUTER\_A

Add Router

Security type: WAP2

Router Password: \*\*\*\*\*

Weather server setup

**Wunderground**

Station ID: WDW124

Station key: \*\*\*\*\*

**Weathercloud**

Station ID: IPACIR23Wc

Station key: \*\*\*\*\*

URL: http://WAC.com

Station ID: IDCR21w1

Station key: \*\*\*\*\*

Mac address 00:0E:C6:00:07:10

Time server setup

Server URL: nist.time.gov

Time Zone: 0:00

Location for sunrise / sunset

\*Latitude: 0.0000 North

\*Longitude: 0.0000 East

Hemisphere N

Firmware version: 1.00

Apply

Anklicken, um nach dem Router zu suchen

Anklicken, um manuell einen Router hinzu zu fügen

"ADVANCED" anklicken, zur Advanced-Seite zu wechseln

Sprache für die Menüsprache wählen

Router (SSID) für die Verbindung wählen

SSID manuell eintragen, wenn nicht gelistet

Sicherheitstyp des Router wählen (i.d.R. "WPA2")

Router-Passwort (Feld leer lassen, wenn Sicherheitstyp "offen" ist)

Neue Station ID und Station Key eingeben, die Sie von Wunderground erhalten haben.

Neue Station ID und Station Key eingeben, die Sie von weathercloud erhalten haben.

Reserviert für valide Wetter-Server (weitere Infos in dieser Anleitung)

Neue Station ID und Station Key für validen Wetter-Server eingeben.

Zeitserver wählen

Zeitzone und Standort wählen

Region (z.B. EU-Länder haben östliche, US-Länder westliche Längengrade)

Die Hemisphäre wählen, in der sich der Sensor befindet (z.B. für USA und EU ist dies "N", für Australien ist es "S")

Drücken, um die Einstellungen zu sichern.

Wert für den Breitengrad (Latitude) eingeben

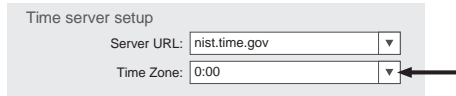
Wert für den Längengrad (Longitude) eingeben

## HINWEIS:

- Wenn die WLAN Einrichtung abgeschlossen ist, nimmt Ihr PC/Mac oder Handy die standardmäßige WLAN Verbindung wieder auf.
- Während des AP-Modus können Sie die [ **SENSOR / WI-FI** ] -Taste 6 Sekunden lang gedrückt halten, um den AP-Modus zu stoppen, und die Basisstation stellt Ihre vorherige Einstellung wieder her.

## ZEITZONE

Um die Zeit Ihrer Zeitzone anzuzeigen, stellen Sie die Zeitzone auf der SETUP-Seite von '0:00' (Standard) auf Ihre Zeitzone (z.B. +1:00 für Deutschland) um.



Time server setup

Server URL:

Time Zone:

## ZEITSERVER-VERBINDUNGSSTATUS

Nachdem die Basisstation eine Verbindung zum Internet hergestellt hat, wird sie versuchen, sich mit dem Internet-Zeitserver zu verbinden, um die UTC-Zeit zu erhalten. Sobald die Verbindung erfolgreich hergestellt wurde und die Zeit der Basisstation aktualisiert wurde, erscheint das Symbol "SYNC" auf der LCD-Anzeige.



Die Uhrzeit wird automatisch jeden Tag um 12 und 24 Uhr mit dem Internet-Zeitserver synchronisiert. Sie können auch die [REFRESH]-Taste drücken, um die Internetzeit innerhalb von 1 Minute manuell zu erhalten.



## ERWEITERTE EINSTELLUNGEN IM WEBINTERFACE

Drücken Sie die **"ADVANCED"** Taste oben im Webinterface, um auf die Seite für die erweiterten Einstellungen zu gelangen. Diese Seite ermöglicht es Ihnen, die Kalibrierungsdaten der Basisstation einzustellen und anzuzeigen, außerdem können Sie hier die Firmware über den PC/Mac-Webbrowser aktualisieren.

ADVANCED Seite

**SETTINGS**

SETUP **ADVANCED**

Temperature: °C Humidity %

Indoor:  Current offset: 1

Outdoor:  Current offset: -9

CH 1:  Current offset: 2

CH 2:  Current offset: 3

CH 3:  Current offset: 1.2

CH 4:  Current offset: -0.2

CH 5:  Current offset: -20.1

CH 6:  Current offset: 11.5

CH 7:  Current offset: 0.2

Humidity %:  Current offset: -5

Current offset: 10

Current offset: -5

Current offset: -2

Current offset: -2

Current offset: -5

Current offset: -3

Current offset: -10

Current offset: -3

Range: -20.0 ~ 20.0°C  
-36.0 ~ 36.0°F (Default: 0.0)

Range: -20 ~ 20 (Default: 0.0)

Pressure: hpa

Absolute Pressure Offset:  Current offset: -3 (Default: 0)

Relative Pressure Offset:  Current offset: 10 (Default: 0)

Setting Range: -560 ~ 560hpa / -16.54 ~ 16.54inHg / -420 ~ 420mmHg

\*Rain gain:  Current gain: 0.85  
Range: 0.5 ~ 1.5 (Default: 1.00)

\*Wind speed gain:  Current gain: 0.75  
Range: 0.5 ~ 1.5 (Default: 1.00)

\*Wind direction:  Current offset: 2°  
Range: -10 ~ 10 (Default: 0°)

\*UV gain:  Current gain: 1.1  
Range: 0.01 ~ 10 (Default: 1.00)

\*Light gain:  Current gain: 1.1  
Range: 0.01 ~ 10 (Default: 1.00)

\* Depends on the model

Firmware version: 1.00

Browse

Upload

"SETUP" anklicken, um auf die Setup-Seite zu wechseln

Maßeinheit wählen

Sektion zur Temperaturkalibrierung für Außenbereich und Kanäle 1~7

Sektion zur Luftdruck-Kalibrierung

Maßeinheit wählen

Aktueller Ausgleichswert; der Wert, der zuvor als Ausgleich für die Luftdruckmessung gewählt wurde.

Bei der Kalibrierung für Regen-, Windgeschwindigkeits-, UV- und Lichtwerte wird die Zugewinnmethode angewandt. Bei der Windrichtung liegt der Ausgleich bei +/- 10.

Aktuelle Firmware-Version

Die Funktion für Firmware Updates ist nur über PC- oder Mac-Webbrowser verfügbar

## KALIBRIERUNG

1. Der Benutzer kann den Versatzwert- und Verstärkungswert für verschiedene Messparameter eingeben oder ändern, während die aktuellen Offset- und Verstärkungswerte neben den entsprechenden Feldern angezeigt werden.
2. Sobald Sie fertig sind, drücken Sie **Apply** unten auf der SETUP-Seite. Der aktuelle Versatz-Wert zeigt den vorherigen Wert, den Sie eingegeben haben, wenn Sie ihn ändern möchten, geben Sie einfach den neuen Wert in das Feld ein, der neue Wert wird gültig, sobald Sie das Symbol **Apply** auf der Einrichtungsseite drücken.

### HINWEIS:

- Eine Kalibrierung der meisten Parameter ist nicht erforderlich, mit Ausnahme des Relativdrucks, der auf Meereshöhe kalibriert werden muss, um Höheneffekte zu berücksichtigen.
- Die Kalibrierwerte für Raumtemperatur und Raumlufteuchtigkeit sind für diese Basisstation nicht anwendbar.

## SEHEN SIE SICH IHRE WETTERDATEN ÜBER WUNDERGROUND AN

Um die Live-Daten Ihrer Wetterstation in einem Webbrowser (PC- oder mobile Version) anzuzeigen, besuchen Sie bitte <http://www.wunderground.com> und geben Sie dann Ihre Stations-ID in das Suchfeld ein. Ihre Wetterdaten werden auf der nächsten Seite angezeigt. Sie können sich auch in Ihr Konto einloggen, um die aufgezeichneten Daten Ihrer Wetterstation anzuzeigen und herunterzuladen.



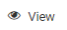
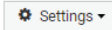
Eine weitere Möglichkeit, Ihre Station anzuzeigen, ist die URL-Leiste des Webbrowsers, die Sie unten in die URL-Leiste eingeben können:

**<https://www.wunderground.com/dashboard/pws/XXXX>**

Ersetzen Sie XXXX durch Ihre Wunderground Stations-ID, um direkt zur Live-Ansicht Ihrer Station zu gelangen.

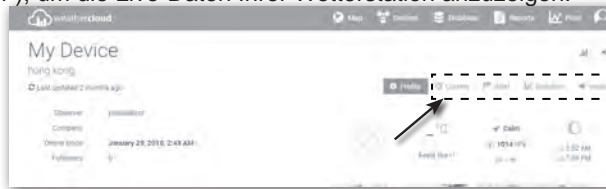
Sie können auch die Website von Weather Underground besuchen, um mehr über deren mobile App für Android und iOS zu erfahren.

## SEHEN SIE SICH IHRE WETTERDATEN ÜBER WEATHERCLOUD AN

1. Um die Live-Daten Ihrer Wetterstation in einem Webbrowser (PC- oder mobile Version) anzuzeigen, besuchen Sie bitte <https://weathercloud.net> und melden Sie sich mit Ihrem eigenen Konto an.
2. Klicken Sie auf das  View Symbol im  Settings Pulldown-Menü Ihrer Station.



3. Klicken Sie auf das Symbol "**Current**" ("Aktuell"), "**Wind**", "**Evolution**" ("Evolution") oder "**Inside**" ("Innen"), um die Live-Daten Ihrer Wetterstation anzuzeigen.



## FIRMWARE-UPDATE

Die Basisstation unterstützt OTA-Firmware-Updates. Die Firmware kann jederzeit (bei Bedarf) über einen Webbrowser auf einem PC/Mac mit WI-FI-Konnektivität drahtlos aktualisiert werden. Die Update-Funktion ist jedoch nicht für Mobil-/Smartgeräte verfügbar.

Aktuelle  
Firmware-Version

Firmware version: 1.00

Browse

Upload

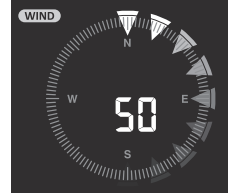
Bitte wählen Sie die Firmware-Datei für das Update aus

Drücken Sie diese Taste, um das Hochladen der Firmware auf die Basisstation zu starten

Unten auf der Webschnittstelle der ADVANCED Seite

## SCHRITTE ZUM FIRMWARE-UPDATE

1. Laden Sie die neueste Firmware-Version auf Ihren PC/Mac herunter.
2. Stellen Sie die Basisstation in den AP-Modus (Access Point) und verbinden Sie den PC/ Mac mit der Basisstation (siehe Abschnitt "WLAN-VERBINDUNG EINRICHTEN" auf der vorherigen Seite).
3. Klicken Sie auf **Browse** im Abschnitt Firmware-Update und suchen Sie nach dem Speicherort der Datei, die Sie in Schritt 1 heruntergeladen haben. Um die WLAN Firmware zu aktualisieren, klicken Sie auf **Browse** im Bereich WLAN Firmware.
4. Klicken Sie auf das entsprechende Symbol **Upload**, um die Übertragung der Firmware-Datei auf die Basisstation zu starten.
5. In der Zwischenzeit führt die Basisstation das Update automatisch aus und zeigt den Fortschritt des Updates auf dem Display an (d.h. 100 ist abgeschlossen).



Die Aktualisierungszeit beträgt ca. 5 ~ 8 Minuten

6. Die Basisstation wird neu gestartet, sobald das Update abgeschlossen ist.
7. Die Basisstation bleibt im **AP-Modus**, damit Sie die Firmware-Version und alle aktuellen Einstellungen überprüfen können.

### HINWEIS!

- Die Stromversorgung des Geräts während des Firmware-Updates unbedingt aufrechterhalten!
- Stellen Sie sicher, dass die WLAN Verbindung Ihres PCs/Macs stabil ist.
- Während des Updates den PC und die Basisstation nicht bedienen, bis das Update abgeschlossen ist.
- Während des Firmware-Updates stoppt die Basisstation das Hochladen von Daten auf den Cloud-Server. Die Basisstation wird sich wieder mit Ihrem WLAN Router verbinden und die Daten nach dem erfolgreichen Update erneut hochladen. Wenn die Basisstation keine Verbindung zu Ihrem Router herstellen kann, rufen Sie bitte die SETUP-Seite auf, um sie erneut einzurichten.
- Wenn nach dem Firmware-Update die Setup-Informationen fehlen, geben Sie die Setup-Informationen bitte erneut ein.
- Der Prozess der Firmware-Aktualisierung birgt ein potenzielles Risiko, das keinen 100%igen Erfolg garantieren kann. Wenn das Update fehlschlägt, wiederholen Sie bitte den obigen Schritt, um das Update erneut durchzuführen.

## ANDERE EINSTELLUNGEN & FUNKTIONEN DER BASISSTATION

### MANUELLE UHRZEITEINSTELLUNG

Diese Basisstation wurde entwickelt, um die UTC Zeit durch Synchronisation mit dem zugewiesenen Internet-Zeitserver zu erhalten. Wenn Sie die Konsole ohne diese Synchronisation verwenden möchten, können Sie Uhrzeit und Datum auch manuell einstellen. Halten Sie beim ersten Start die [ **SENSOR / WI-FI** ] -Taste 6 Sekunden gedrückt und lassen Sie die Basisstation wieder in den Normalmodus zurückkehren.

1. Drücken Sie im Normalmodus die [ **CLOCK SET** ]-Taste 2 Sekunden, um zur Zeiteinstellung zu gelangen.
2. Einstellungsreihenfolge: DST AUTO/OFF → Stunde → Minute → Sekunde → 12/24-Stunden-Format → Jahr → Monat → Tag → M-D/D-M-Format → Zeitsynchronisation EIN/AUS → Wochentag Sprache.
3. Drücken Sie die Taste [ **^** ] oder [ **v** ], um den Wert zu ändern. Für eine Schnellverstellung die Taste gedrückt halten.
4. Drücken Sie die [ **CLOCK SET** ]-Taste, um die Einstellungen zu speichern und den Einstellungsmodus zu verlassen. Das Gerät verlässt den Einstellungsmodus automatisch, wenn innerhalb von 60 Sekunden keine Taste gedrückt wurde.



## HINWEIS:

- Drücken Sie im Normalmodus die [ **CLOCK SET** ]-Taste für den Wechsel zwischen Jahres- und Datumsanzeige.
- Während der Einstellung können Sie die [ **CLOCK SET** ]-Taste 2 Sekunden gedrückt halten, um zum Normalmodus zurückzukehren.

## SOMMERZEIT (DST)

Die Sommerzeitfunktion ist standardmäßig auf "AUTO" eingestellt (für EU- oder US-Version). Wenn das aktuelle Datum im Display in die Sommerzeit fällt, wird die Uhrzeit automatisch um +1 Stunde vorgestellt und das Symbol für die Sommerzeit wird auf dem LCD-Display angezeigt.

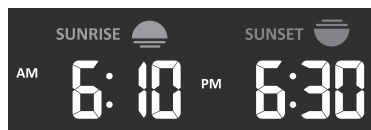
## MONDPHASE

Die Mondphase ist abhängig von Zeit, Datum und Zeitzone. Die folgende Tabelle erklärt die Mondphasen-Symbole für die Nord- und Südhalbkugel. Bitte lesen Sie den Abschnitt **AUSRICHTEN DES 7-IN-1-SENSORS NACH SÜDEN**, wie Sie die Einstellungen für die südliche Hemisphäre vornehmen.

Nördliche Hemisphäre	Mondphase	Südhalbkugel
	Neumond	
	Erstes Viertel	
	Zunehmender Halbmond	
	Zweites Viertel	
	Vollmond	
	Drittes Viertel	
	Abnehmender Halbmond	
	Letztes Viertel	

## SONNENAUFGANG/SONNENUNTERGANG ZEIT


Die Basisstation zeigt die Sonnenaufgangs- und Sonnenuntergangszeit Ihres Standorts anhand der von Ihnen eingegebenen Zeitzone, des Breitengrads und des Längengrads an. Bitte geben Sie die richtigen Informationen in den entsprechenden Einstellungen ein. Wenn die Werte für Breiten- und Längengrad nicht mit der Zeitzone übereinstimmen, kann die Sonnenaufgangs- und Sonnenuntergangszeit nicht angezeigt werden.



## WECKZEITEINSTELLUNG

1. Halten Sie die [ **ALARM** ]-Taste im normalen Zeitmodus 2 Sekunden lang gedrückt, bis die Alarmstundenziffer blinkt, um in den Einstellmodus für die Alarmzeit zu gelangen.
2. Drücken Sie die Taste [  $\wedge$  ] oder [  $\vee$  ], um den Wert zu ändern. Für eine Schnellverstellung die Taste gedrückt halten.
3. Drücken Sie die [ **ALARM** ] Taste erneut, um zur Werteeinstellung für die Minuten zu gelangen. Die Ziffern für die Minuten blinken.
4. Drücken Sie die [  $\wedge$  ] oder [  $\vee$  ]-Taste, um den Wert der blinkenden Ziffer einzustellen.
5. Drücken Sie die [ **ALARM** ] Taste, um die Einstellungen zu speichern und den Einstellungsmodus zu verlassen.

## HINWEIS:

- Im Weckmodus wird das Symbol  auf dem Display angezeigt.
- Die Weckfunktion wird automatisch aktiviert sobald die Weckzeit eingestellt wurde.

## ALARM- UND TEMPERATUR-VORALARM-FUNKTIONAKTIVIEREN

1. Drücken Sie im normalen Modus die [ **ALARM** ]-Taste, um die Weckzeit für ca. 5 Sekunden anzuzeigen.
2. Wenn die Weckzeit angezeigt wird, drücken Sie die [ **ALARM** ]-Taste erneut, um die Weckfunktion zu aktivieren **oder** drücken Sie die [ **ALARM** ]-Taste zweimal, um die Weckfunktion mit Frost-Voralarmfunktion zu aktivieren.

		 
Wecker inaktiv	Wecker aktiv	Alarm mit Frost-Voralarm

## HINWEIS:


Sobald der Frost-Voralarm aktiviert ist, ertönt der Alarm 30 Minuten früher, wenn die Außentemperatur unter -3°C liegt.

Ist die Weckzeit erreicht, ertönt der Weckruf.

Der Weckruf kann folgendermaßen unterbrochen werden:

- Automatische Abschaltung nach 2 Minuten ohne Aktion bei erneuter Aktivierung am nächsten Tag.
- Wenn Sie die [ **ALARM / SNOOZE** ]-Taste drücken, um die Schlummerfunktion zu aktivieren, ertönt der Alarm nach 5 Minuten erneut.
- Wenn Sie die [ **ALARM / SNOOZE** ]-Taste für 2 Sekunden gedrückt halten, wird der Alarm gestoppt und am nächsten Tag wieder aktiviert.
- Durch das Drücken der [ **ALARM** ]-Taste wird der Weckruf gestoppt und am nächsten Tag erneut aktiviert.

## HINWEIS:

- Die Schlummerfunktion kann 24 Stunden ununterbrochen verwendet werden.
- Während der Schlummerphase blinkt das Alarm-Symbol .

## TEMPERATUR- / LUFTFEUCHTIGKEITSFUNKTIONEN

- Die Temperatur- und Luftfeuchtwerte werden im Außen- und Innenbereich (CH) angezeigt.
- Verwenden Sie den [ °C / °F ]-Schieberegler, um die gewünschte Temperaturanzeigeeinheit zu wählen.
- Liegt die Temperatur / Luftfeuchtigkeit unterhalb des Messbereichs, zeigt der Messwert "Lo" an. Liegt die Temperatur / Luftfeuchtigkeit über dem Messbereich, zeigt der Messwert „HI“ an.

## KOMFORTANZEIGE

Die Komfortanzeige ist eine bildliche Darstellung des Raumklimas, basierend auf der Innenraumtemperatur und -luftfeuchtigkeit.



Zu kalt



Komfortabel



zu heiß

## HINWEIS:

- Die Komfortanzeige kann bei gleicher Temperatur aufgrund unterschiedlicher Luftfeuchtigkeit variieren
- Bei Temperaturen unter 0 °C (32° F) oder über 60° C (140° F) ist keine Komfortanzeige möglich.

## EMPFANG DES SENSOR-FUNKSIGNALS

1. Die Basisstation zeigt die Signalstärke für den/die Funksensor(en) an, wie in der folgenden Tabelle dargestellt:

7-in-1-Außensensor			
Innenkanal-Sensor			
	Kein Signal	Schwaches Signal	Gutes Signal

2. Wenn das Signal für den Außenkanal unterbrochen wurde und sich nicht innerhalb von 15 Minuten erholt, verschwindet das Signalsymbol. Bei der Temperatur und Luftfeuchtigkeit wird für den entsprechenden Kanal „Er“ angezeigt.
3. Wenn sich das Signal nicht innerhalb von 48 Stunden ‚erholt‘, wird dauerhaft "Er" angezeigt. Dann die Batterien austauschen und die [ **SENSOR / WI-FI** ]-Taste drücken, um die Verbindung zum Sensor wieder herzustellen.

## ANSICHT DER ANDEREN INNEN KANÄLE (OPTIONALE FUNKTION MIT ZUSÄTZLICHEN SENSOREN)

Diese Basisstation ist in der Lage, sich mit einem drahtlosen 7-in-1-Sensor und bis zu 7 drahtlosen Innensensoren zu verbinden. Wenn Sie über 2 oder mehr Sensoren verfügen, können Sie die [ **CHANNEL** ]-Taste drücken, um zwischen verschiedenen drahtlosen Kanälen im Normalmodus zu wechseln, oder die [ **CHANNEL** ]-Taste 2 Sekunden gedrückt halten, um in den automatischen Zyklusmodus zu wechseln, um die angeschlossenen Kanäle im 4-Sekunden-Intervall abwechselnd anzuzeigen.

Während des Automatischen-Zyklusmodus wird das Symbol im Bereich der Innensensor-Kanäle auf dem Display der Basisstation angezeigt. Während des automatischen Wechselmodus die [ **CHANNEL** ]-Taste drücken, um den Wechselmodus zu stoppen und nur den gegenwärtigen Kanal anzuzeigen.

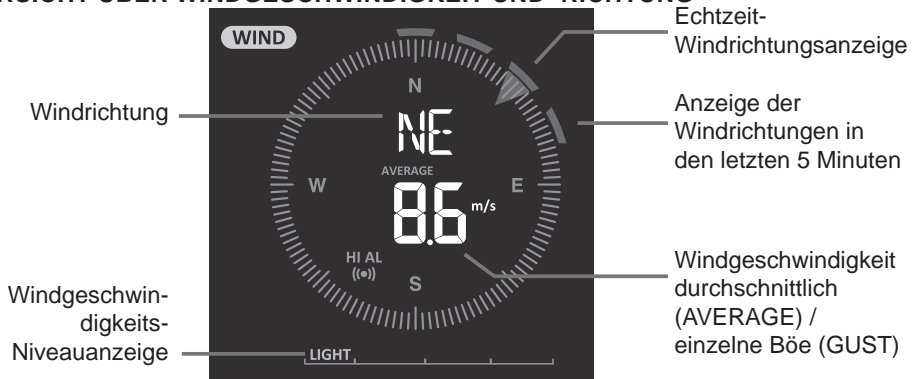
## TRENDINDIKATOR

Die Trendanzeige zeigt den Trendwechsel für die nächsten Minuten an. Das Symbol erscheint im Bereich Temperatur, Luftfeuchtigkeit, Index und Baro.



## WIND

### ÜBERSICHT ÜBER WINDGESCHWINDIGKEIT UND -RICHTUNG



## WINDGESCHWINDIGKEITSEINHEIT UND WINDRICHTUNGSANZEIGEFORMAT EINSTELLEN

1. Im Normalmodus die [ **WIND** ]-Taste 2 Sekunden gedrückt halten, um in den Modus für die Windgeschwindigkeitseinheit zu gelangen. Die Einheit blinkt. Drücken Sie die Taste [ **^** ]

oder [ √ ], um die Windgeschwindigkeitseinheit in dieser Reihenfolge zu ändern: m/s → km/h → knots → mph

- Drücken Sie erneut die Taste [ **WIND** ], um in den Einstellmodus für die Windrichtung zu gelangen. Die Windrichtungsanzeige blinkt und drückt dann die Taste [ ^ ] oder [ √ ], um das Anzeigeformat zwischen 360° und 16° auszuwählen.
- Die [ **WIND** ]-Taste erneut drücken, um zum normalen Modus zurückzukehren

### WAHL DES WINDANZEIGEMODUS

Im normalen Modus die [ **WIND** ]-Taste drücken, um zwischen **BEAUFORT**Skala, **AVERAGE** und **GUST**-Windgeschwindigkeit zu wechseln.

### BEAUFORT-SKALA

Die Beaufort-Skala ist eine internationale Skala für Windgeschwindigkeiten von 0 (Ruhig) bis 12 (Hurrikan-Stärke)

Beaufort-Skala	Beschreibung	Windgeschwindigkeit	Luftzustand
0	Ruhig	< 1 km/h	Ruhig. ruhig, Rauch steigt senkrecht auf
		< 1 mph	
		< 1 Knoten	
		< 0,3 m/s	
1	Leichte Luftbewegung	1,1 ~ 5 km/h	Rauch treibt in Windrichtung ab. Blätter und Windfahnen bewegen sich nicht.
		1 ~ 3 mph	
		1 ~ 3 Knoten	
		0,3 ~ 1,5 m/s	
2	Leichte Brise	6 ~ 11 km/h	Luftzug auf der Haut spürbar. Blätter rascheln. Windfahnen beginnen sich zu bewegen.
		4 ~ 7 mph	
		4 ~ 6 Knoten	
		1,6 ~ 3,3 m/s	
3	Schwache Brise	12 ~ 19 km/h	Blätter und kleine Zweige ständig in Bewegung, leichte Fahnen ausgedehnt.
		8 ~ 12 mph	
		7 ~ 10 Knoten	
		3,4 ~ 5,4 m/s	
4	Mäßige Brise	20 ~ 28 km/h	Staub und loses Papier werden angehoben. Äste bewegen sich.
		13 ~ 17 mph	
		11 ~ 16 Knoten	
		5,5 ~ 7,9 m/s	
5	Frische Brise	29 ~ 38 km/h	Äste mittlerer Größe bewegen sich. Kleinere belaubte Bäume beginnen zu schwanken.
		18 ~ 24 mph	
		17 ~ 21 Knoten	
		8,0 ~ 10,7 m/s	
6	Starker Wind	39 ~ 49 km/h	Größere Äste geraten in Bewegung. Pfeifen in Oberleitungen. Die Verwendung eines Regenschirms wird schwieriger. Leere Plastikbehälter kippen um.
		25 ~ 30 mph	
		22 ~ 27 Knoten	
		10,8 ~ 13,8 m/s	
7	Steifer Wind	50 ~ 61 km/h	Ganze Bäume in Bewegung. Es braucht Anstrengung um gegen den Wind zu laufen.
		31 ~ 38 mph	
		28 ~ 33 Knoten	
		13,9 ~ 17,1 m/s	
8	Stürmischer Wind	62 ~ 74 km/h	Einige Baumzweige brechen. Autos geraten auf der Straße ins Schleudern. Die Fortbewegung zu Fuß wird erheblich behindert
		39 ~ 46 mph	
		34 ~ 40 Knoten	
		17,2 ~ 20,7 m/s	

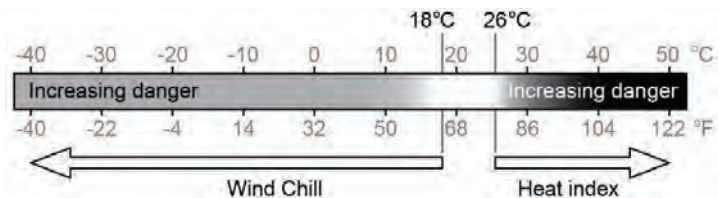
Beaufort-Skala	Beschreibung	Windgeschwindigkeit	Luftzustand
9	Sturm	75 ~ 88 km/h	Einige Baumäste brechen ab und einige kleinere Bäume knicken um. Baustellenschilder und Absperrungen fallen um.
		47 ~ 54 mph	
		41 ~ 47 Knoten	
		20,8 ~ 24,4 m/s	
10	Schwerer Sturm	89 ~ 102 km/h	Bäume werden abgebrochen oder entwurzelt, größere Schäden an Häusern.
		55 ~ 63 mph	
		48 ~ 55 Knoten	
		24,5 ~ 28,4 m/s	
11	Orkanartiger Sturm	103 ~ 117 km/h	Schwere Schäden an Gebäuden und in Wäldern.
		64 ~ 73 mph	
		56 ~ 63 Knoten	
		28,5 ~ 32,6 m/s	
12	Orkan	≥ 118 km/h	Schwerste Verwüstungen und Sturmschäden an Gebäuden und in Wäldern. Trümmer und ungesicherte Gegenstände werden herumgeschleudert.
		≥ 74 mph	
		≥ 64 Knoten	
		≥ 32,7 m/s	

### WETTER-INDEX

Im Bereich WETTER-INDEX können Sie die Index Taste [ INDEX ] drücken, um verschiedene Wetterindexe in dieser Reihenfolge anzuzeigen: **FÜHLT SICH AN WIE → TAUPUNKT → HITZEINDEX → WINDCHILL.**

### GEFÜHLTE TEMPERATUR (FEELS LIKE)

Die gefühlte Temperatur beschreibt, wie sich die Außentemperatur anfühlen wird. Es handelt sich um einen Wert, der aus dem Windkühl-Faktor (18 °C oder niedriger) und dem Hitzeindex (26 °C oder höher) berechnet wird. Bei Temperaturen im Bereich zwischen 18,1 und 25,9 °C, bei denen sowohl Wind als auch Luftfeuchtigkeit die Temperatur weniger stark beeinflussen, zeigt das Gerät die tatsächlich gemessene Außentemperatur als Feels Like Temperatur an.



### TAUPUNKT

- Der Taupunkt ist die Temperatur, unterhalb derer Luftfeuchtigkeit bei gleichbleibendem Luftdruck im selben Maße wie sie verdunstet, zu flüssigem Wasser kondensiert. Das Kondenswasser wird als *Tau* bezeichnet, wenn es sich auf einer festen Oberfläche bildet.
- Die Taupunkt-Temperatur wird durch die Temperatur- und Luftfeuchtigkeitsdaten vom 7-in-1 Multisensor bestimmt.



## HITZE-INDEX

Der Hitze-Index wird durch die Temperatur- und Luftfeuchtigkeitsdaten des 7-in-1 Außensensors bestimmt, wenn die Temperatur zwischen 26°C und 50°C liegt.

Hitze-Index-Bereich	Warnung	Erklärung
27 °C bis 32 °C (80 °F bis 90 °F)	Vorsicht	Gefahr eines Hitzekollaps
33 °C bis 40 °C (91 °F bis 105 °F)	Besondere Vorsicht	Möglichkeit Dehydrierung durch Hitze
41 °C bis 54 °C (106 °F bis 129 °F)	Gefahr	Hitzekollaps möglich
≥ 55 °C (≥ 130 °F)	Extreme Gefahr	Starkes Risiko der Dehydrierung / Sonnenstich

## WINDKÜHLE (WIND CHILL)

Eine Kombination der Temperatur- und Windgeschwindigkeitsdaten des 7-in-1 Funksensors bestimmt den aktuellen Windkühlfaktor. Herrschen Windverhältnisse, bei denen die Windkühle-Formel angewandt wird, fällt der Windkühle-Wert immer niedriger aus als die tatsächlich gemessene Lufttemperatur. Aufgrund der Beschränkung der Formel, kann eine tatsächliche Lufttemperatur von mehr als 10°C bei einer Windgeschwindigkeit unter 9km/h zu einem fehlerhaften Windkühle-Wert führen.

## WETTERVORHERSAGE

Das eingebaute Barometer registriert kontinuierlich den Luftdruck. Basierend auf den gesammelten Daten können die Wetterbedingungen für die kommenden 12 ~ 24 Stunden für einen Radius von 30 ~ 50 km (19 ~ 31 Meilen) vorhergesagt werden.



Sonnig



Teilweise bewölkt



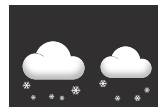
Bewölkt



Regnerisch



Regnerisch / Stürmisch



Schnee



### HINWEIS:

- Die Genauigkeit einer generell auf dem Luftdruck basierenden Wettervorhersage liegt bei etwa 70% bis 75%.
- Die Wettervorhersage spiegelt die Wetterlage für die nächsten 12 ~ 24 Stunden, spiegelt aber nicht unbedingt die gegenwärtige Lage wieder.
- Die Wettervorhersage für **SCHNEE** basiert nicht auf dem atmosphärischen Druck, sondern auf der Außentemperatur. Sinkt die Außentemperatur auf unter -3 °C (26 °F), wird das Wettersymbol für **SCHNEE** auf dem Display angezeigt.

## BAROMETRISCHER DRUCK

Der atmosphärische Druck ist der Druck an jedem Ort der Erde, der durch das Gewicht der darüber befindlichen Luftsäule verursacht wird. Atmosphärischer Druck bezieht sich auf den durchschnittlichen Druck und nimmt mit zunehmender Höhe allmählich ab. Meteorologen verwenden Barometer, um den Luftdruck zu messen. Da die Schwankungen des Luftdrucks stark von der Witterung beeinflusst werden, ist es möglich, das Wetter vorherzusagen, indem man die Druckänderungen misst.



**SO ZEIGEN SIE DEN BAROMETRISCHEN DRUCK IN VERSCHIEDENEN EINHEITEN AN**  
1 Im Normalmodus die [ **BARO** ]-Taste drücken, Barometereinheit in folgender Reihenfolge zu ändern: hPa → inHg → mmHg

## ABSOLUTEN ODER RELATIVEN BAROMETRISCHEN LUFTDRUCK-MODUS EINSTELLEN

Im normalen Modus die [ **BARO** ]-Taste drücken, um zwischen den Luftdruck Messwerten **ABSOLUTE / RELATIVE** zu wechseln.

## REGEN

Im Bereich **RAINFALL** werden die Niederschlagsmenge und die Niederschlagsrate angezeigt.

## NIEDERSCHLAGSEINHEIT EINSTELLEN

1. Die [ **RAIN** ]-Taste 2 Sekunden gedrückt halten, um in den Einstellungsmodus für die Einheit zu gelangen.
2. Drücken Sie die Taste [  $\wedge$  ] oder [  $\vee$  ], um die Einheit zwischen mm und in (Regenmenge) oder mm/h und in/h (Regenrate) umzuschalten.
3. Die [ **RAIN** ]-Taste drücken, um die Einstellung zu bestätigen und den Einstellungsmodus zu verlassen.

## NIEDERSCHLAGSANZEIGE WÄHLEN

Drücken Sie die [ **RAIN** ]-Taste, um zwischen folgenden Auswahlmöglichkeiten zu wechseln:

1. **HOURLY**- Gesamtniederschlag der letzten Stunde
2. **DAILY** - Gesamtniederschlag seit Mitternacht (Standard)
3. **WEEKLY** - Gesamtniederschlag der aktuellen Woche
4. **MONTHLY** - Gesamtniederschlag des aktuellen Monats
5. **Total** - die Gesamtregenmenge seit dem letzten Zurücksetzen
6. **RATE** - Aktuelle Niederschlagsrate (basierend auf 10-minütigen Regendaten)

Zeitraum der Niederschläge



Level der Regenrate



Definition des Regenratenpegels:

Level 1:  
Leichter Regen  
0.1~ 2,5 mm/h



Level 2:  
Mäßig  
2.51 ~ 10,0 mm/h



Level 3:  
Starkregen  
10.1 ~ 50,0 mm/h



Level 4  
Heftiger Regen:  
> 50,0 mm/h



## GESPEICHERTE GESAMTNIEDERSCHLAGSMENGE ZURÜCKSETZEN

Im normalen Modus die [ **HISTORY** ]-Taste 2 Sekunden lang gedrückt halten, um die gesamte Niederschlagsaufzeichnung zurückzusetzen.

## HINWEIS:

Um sicherzustellen, dass Sie korrekte Daten haben, setzen Sie bitte alle Niederschlagsaufzeichnungen zurück, wenn Sie Ihren drahtlosen 7-IN-1-Sensor an einem anderen Ort neu installieren.

## LICHTINTENSITÄT, UV-INDEX UND SONNENBRANDZEIT

In diesem Bereich des Displays werden die Sonnenlichtintensität, der UV-Index und die Sonnenbrandzeit angezeigt. Drücken Sie die

[ **SUN** ]-Taste, um den Modus zu ändern.

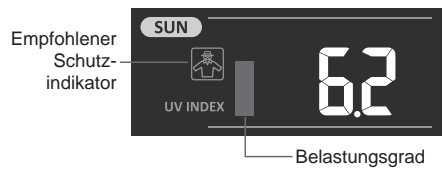
## LICHTINTENSITÄTSMODUS

1. Halten Sie während des Lichtintensitätsmodus die Taste [ **SUN** ] für 2 Sekunden lang gedrückt, um zur Einstellung der Einheit zu gelangen
2. Drücken Sie die Taste [  $\wedge$  ] oder [  $\vee$  ], um die Einheit der Reihe nach zu ändern: Klux  $\rightarrow$  Kfc  $\rightarrow$  W/m<sup>2</sup>.
3. Die [ **SUN** ]-Taste drücken, um die Einstellung zu bestätigen und den Einstellungsmodus zu verlassen.



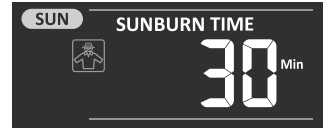
## UV-INDEX-MODUS:

Zur Anzeige des aktuellen, vom Außensensor gemessenen UV-Index. Die entsprechende Expositionsstufe und der empfohlene Schutzindikator werden ebenfalls angezeigt.



## SONNENBRANDZEITMODUS:

Zur Anzeige der empfohlenen Sonnenbrandzeit entsprechend dem aktuellen UV-Wert.



## UV-INDEX & SONNENBRANDZEITPLAN

Belastungsgrad	Niedrig		Mäßig			Hoch		Sehr hoch			Extrem	
UV-Index	1	2	3	4	5	6	7	8	9	10	11	12~16
Sonnenbrandzeit	k.A.		45 Minuten			30 Minuten		15 Minuten			10 Minuten	
Empfohlene Sicherheitsmaßnahme	k.A.		Mäßiger oder hoher UV-Anteil! Es wird empfohlen eine Sonnenbrille, einen breiten Hut und langärmelige Kleidung zu tragen.					Sehr hoher oder extremer UV-Level! Es wird empfohlen eine Sonnenbrille, einen breiten Hut und langärmelige Kleidung zu tragen. Wenn Sie im Freien bleiben müssen, sollten Sie unbedingt einen Schattenplatz aufsuchen.			 	

### HINWEIS:

- Die Sonnenbrandzeit bezieht sich auf den normalen Hauttyp und dient nur als Anhaltspunkt für die UV-Stärke. Generell gilt: Je dunkler die Haut ist, desto länger (oder mehr) braucht die Strahlung, um auf die Haut einzuwirken.
- Die Lichtintensitätsfunktion dient der Sonnenlichterkennung.

## MAX/MIN-DATENAUFZEICHNUNG

Die Basisstation kann akkumulierte und tägliche MAX/MIN Wetterdaten mit entsprechendem Zeitstempel für eine einfache Überprüfung aufzeichnen.

## KUMULIERTE MAX/MIN-WERTE ANZEIGEN

Drücken Sie im Normalmodus die Taste [ MAX / MIN ], um die MAX/MIN-Datensätze in der folgenden Anzeigesequenz zu überprüfen: Außentemperatur MAX → Außentemperatur MIN → Außenluftfeuchtigkeit MAX → Außenluftfeuchtigkeit MIN → Innenraum oder aktueller Kanal MAX Temperatur → Innenraum oder aktueller Kanal MIN Temperatur → Innenraum oder aktueller Kanal MAX Luftfeuchtigkeit → Innenraum oder aktueller Kanal MIN Luftfeuchtigkeit → MAX durchschnittliche Windgeschwindigkeit → MAX Böen → MAX FEELS LIKE → MIN FEELS LIKE → MAX Taupunkt → MIN Taupunkt → MAX Hitzeindex → MIN Hitzeindex → MAX Windchill → MIN Windchill → MAX UV-Index → MAX Lichtintensität → MAX relativer Druck → MIN relativer Druck → MAX absoluter Luftdruck → MIN absoluter Luftdruck → MAX Regenrate.

## MAX- / MIN-AUFZEICHNUNGEN LÖSCHEN

Halten Sie die Taste [ MAX / MIN ] 2 Sekunden lang gedrückt, um die aktuell auf dem Bildschirm angezeigten MAX- oder MIN-Aufzeichnungen zurückzusetzen.

### HINWEIS:

Auf der LCD-Anzeige werden auch das Icon " " / " ", " ", Datensätze, Uhrzeit und Datum angezeigt.

## **HISTORIE-DATEN DER LETZTEN 24 STUNDEN**

Die Konsole zeichnet die Wetterdaten der letzten 24 Stunden automatisch auf.

1. Drücken Sie die [ **HISTORY** ]-Taste, um den Beginn der Wetterdaten der aktuellen Stunde zu überprüfen, z.B. für die aktuelle Uhrzeit 7:25 Uhr, 8. März, werden auf dem Display von 7:00am, March 8, angezeigt.
2. Drücken Sie wiederholt die [ **HISTORY** ]-Taste, um ältere Messwerte der letzten 24 Stunden anzuzeigen, z.B. 6:00 Uhr (8. März), 5:00 Uhr (8. März), ....., 10:00 Uhr (7. März), 9:00 Uhr (7. März), 8:00 Uhr (7. März)



### **HINWEIS:**

Auf dem Display werden auch das "**HISTORY**" Icon sowie die aufgezeichneten Historie-Daten mit Uhrzeit und Datum angezeigt.

## **WETTER-ALARM-EINSTELLUNG**

Der Wetter-Alarm kann Sie über bestimmte Wetterbedingungen informieren. Sobald das Alarmkriterium erfüllt ist, wird der Alarmton aktiviert und das Alarmsymbol auf dem LCD-Bildschirm blinkt.

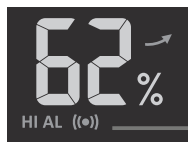
### **ALARM EINSTELLEN**

1. Drücken Sie [ **ALERT** ], um den gewünschte Wetterwarnwert auszuwählen und in der Tabelle unten anzuzeigen:

<b>Alarm-Wert-Bereich</b>	<b>Einstellungsbereich</b>	<b>Anzeigebereich</b>	<b>Default</b>
Außentemperatur-Höchstwertalarm	-40°C ~ 80°C	Außentemperatur & -luftfeuchtigkeit	40°C
Innentemperatur-Tiefstwertalarm			0°C
Außenluftfeuchtigkeit-Höchstwertalarm	1% ~ 99%		80%
Außenluftfeuchtigkeit-Tiefstwertalarm			40%
Innenraum aktueller Kanal Alarm bei hoher Temperatur	-40°C ~ 80°C	Innen-/Kanaltemperatur & -luftfeuchtigkeit	40°C
Innenraum aktueller Kanal Alarm bei niedriger Temperatur			0°C
Innenraum aktueller Kanal Alarm bei hoher Luftfeuchtigkeit	1% ~ 99%		80%
Innenraum aktueller Kanal Alarm bei niedriger Luftfeuchtigkeit			40%
Durchschnittliche Windgeschwindigkeit	0.1m/s ~ 50m/s	Windrichtung & -geschwindigkeit	17.2m/s
Gefühlte Temperatur (Feels like) Hoher Alarm	-65°C ~ 50°C	Wetter-Index	20°C
Gefühlte Temperatur (Feels like) Niedriger Alarm			0°C
Taupunkt-Höchstwertalarm	-40°C ~ 80°C		10°C
Taupunkt-Tiefstwertalarm			-10°C
Hitzeindex Hoher Alarm	26°C ~ 50°C		30°C
Windchill-Tiefstwertalarm	-65°C ~ 18°C		0°C
UV index-Höchstwertalarm	1 ~ 16%	UV & Lichtintensität	10
Lichtintensität Höchstwertalarm	0.01 ~ 200.0Klux		100Klux

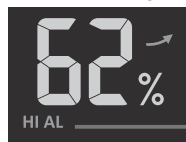
Alarm-Wert-Bereich	Einstellungsbereich	Anzeigebereich	Default
Druckabfall	1hPa ~ 10hPa	Barometer	3hPa
Stündlicher Niederschlag	1mm ~ 1000mm	Niederschlag	100mm

- Halten Sie die [ **ALERT** ]-Taste 2 Sekunden lang gedrückt, um die Alarmeinrichtung einzugeben, und die Alarmmeldung blinkt.
- Die [ **^** ] or [ **v** ]-Taste drücken, um den Wert einzustellen oder die Taste gedrückt halten um schneller zu ändern.
- Drücken Sie die [ **ALERT** ]-Taste, um den Wert zu bestätigen.
- Drücken Sie die [ **ALARM** ]-Taste, um den betreffenden Alarm ein- und auszuschalten.
- Drücken Sie die [ **ALERT** ]-Taste, um zur nächsten Alarmmeldung zu gelangen.



Hoch / Niedrig  
Alarm ein

Alarm ein



Alarm aus

Alarm aus

- Eine beliebige Taste auf der Frontseite drücken, um zu speichern und zum normalen Modus zurückzukehren oder automatisch zum normalen Modus zurückkehren, wenn nach 30 Sekunden keine Taste gedrückt wurde.

## ALARM STUMM SCHALTEN

Die [ **ALARM / SNOOZE** ]-Taste drücken, um den Alarm stumm zu schalten oder automatische Alarmdeaktivierung nach 2 Minuten.

## HINWEIS:

- Sobald der Alarm ausgelöst wurde, ertönt der Alarm für 2 Minuten und das entsprechende Alarmsymbol sowie
- Schaltet sich der Alarm nach 2 Minuten automatisch ab, so blinken das Alarmsymbol und die Werte weiterhin bis sich die Wetter-Messwerte außerhalb des Alarmbereichs befinden.
- Der Wetteralarm ertönt wieder, wenn die Wetter-Messwerte erneut in den Alarmbereich gelangen.

## HINTERGRUNDBELEUCHTUNG

Die Hintergrundbeleuchtung der Haupteinheit kann mit dem [ **OFF / HI / LO** ]-Schieberegler eingestellt werden, um die entsprechende Helligkeit auszuwählen:


- Schieben Sie den Regler in die Position [ **HI** ] für eine hellere Hintergrundbeleuchtung.
- Schieben Sie den Regler in die Position [ **LO** ] für eine gedimmte Hintergrundbeleuchtung.
- Schieben Sie auf die Position [ **OFF** ], um die Hintergrundbeleuchtung auszuschalten.

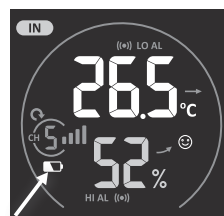
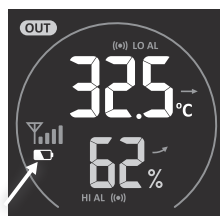
## ANZEIGEKONTRAST

Drücken Sie die Taste [ **☉ / ^** ] im Normalmodus, um den LCD-Kontrast an den Winkel des Tischständers oder der Wandmontage anzupassen.

## WARTUNG

### BATTERIEWECHSEL

Wenn die Anzeige für schwache Batterie "  " im Bereich OUT oder CH angezeigt wird, bedeutet dies, dass die Batterie des 7-IN-1-Außensensors und/oder der Sensor des aktuellen Sensorkanals schwach ist. Bitte durch neue Batterien ersetzen.



## WARTUNG DES 7-IN-1-FUNKSENSORS



### AUSTAUSCH DER WINDFAHNE

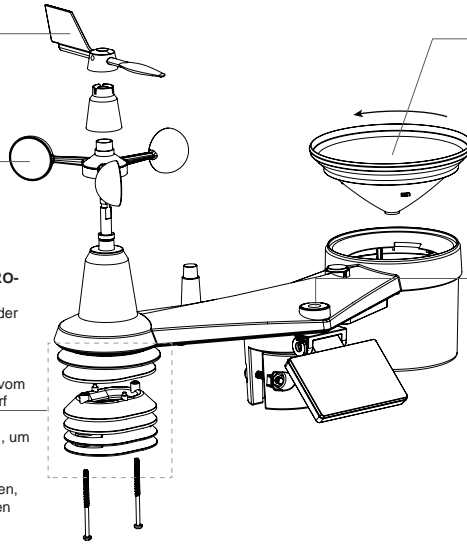
Die Windfahne abschrauben und für den Austausch entfernen.

### AUSTAUSCH DER WINDSCHALEN

1. Die obere Kappe abschrauben und entfernen.
2. Die Windschalen für den Austausch entfernen.

### REINIGUNG DES THERMO-HYGRO-SENSORS

1. Die beiden Schrauben unterhalb der Schutzlamellen entfernen.
2. Die Schutzlamellen vorsichtig abziehen.
3. Schmutz und Insekten vorsichtig vom Sensor entfernen (Der Sensor darf von innen nicht feucht werden!).
4. Die Lamellen mit Wasser reinigen, um Schmutz und Insekten zu entfernen.
5. Alle Teile erst wieder korrekt zusammensetzen und anschrauben, wenn sie gereinigt und vollkommen trocken sind.



### REINIGUNG DES REGENSAMMLERS

1. Den Trichter um etwa 30° gegen den Uhrzeigersinn drehen.
2. Den Trichter vorsichtig entfernen.
3. Den Trichter und Gehäuse darunter reinigen sowie Insekten und andere Fremdkörper entfernen.
4. Den Trichter erst wieder anschrauben, wenn er gereinigt und vollkommen trocken ist.

### REINIGUNG DES UV-SENSORS

- Für präzise UV-Messungen Schutzlinse des UV-Sensors mit einem feuchten Mikrofaser Tuch reinigen.

## FEHLERBEHEBUNG

Problem	Lösung
Der 7-in-1-Multisensors ist unterbrochen oder hat keine Verbindung.	<ol style="list-style-type: none"> <li>1. Stellen Sie sicher, dass sich der Sensor innerhalb des Übertragungsbereichs befindet.</li> <li>2. Wenn es immer noch nicht funktioniert, setzen Sie den Sensor zurück und synchronisieren Sie ihn erneut mit der Basisstation.</li> </ol>
Der Innenraum-Funksensor ist unterbrochen oder hat keine Verbindung.	<ol style="list-style-type: none"> <li>1. Stellen Sie sicher, dass sich der Sensor innerhalb des Übertragungsbereichs befindet.</li> <li>2. Stellen Sie sicher, dass der angezeigte Kanal mit der Kanalauswahl am Sensor übereinstimmt.</li> <li>3. Wenn es immer noch nicht funktioniert, setzen Sie den Sensor zurück und synchronisieren Sie ihn erneut mit der Basisstation.</li> </ol>
Keine W-LAN-Verbindung	<ol style="list-style-type: none"> <li>1. Prüfen Sie, ob das WIFI/WLAN-Symbol auf dem Bildschirm angezeigt wird, es sollte immer sichtbar sein.</li> <li>2. Stellen Sie sicher, dass Sie sich mit dem 2,4G-Band, aber nicht mit dem 5G-Band Ihres WI-FI-Routers verbinden.</li> </ol>
Daten werden nicht übermittelt an Wunderground.com oder weathercloud.net	<ol style="list-style-type: none"> <li>1. Vergewissern Sie sich, dass Ihre Station-ID und Ihr Passwort korrekt sind.</li> <li>2. Stellen Sie sicher, dass das Datum und die Uhrzeit auf der Basisstation korrekt sind. Wenn inkorrekt, dann handelt es sich möglicherweise um alte Daten und nicht um Echtzeitdaten.</li> <li>3. Stellen Sie sicher, dass Ihre Zeitzone richtig eingestellt ist. Wenn inkorrekt, dann handelt es sich möglicherweise um alte Daten und nicht um Echtzeitdaten.</li> </ol>

<b>Problem</b>	<b>Lösung</b>
WUnderground Niederschlag. Akkum. Gesamter Diagrammversatz 1 Stunde Rückstellzeit, während der Sommerzeit	<ol style="list-style-type: none"> <li>1. Sicherstellen, dass die Zeitzone des Geräts auf WUnderground richtig eingestellt ist</li> <li>2. Stellen Sie sicher, dass die Zeitzone und die Sommerzeit auf Ihrer Basisstation korrekt sind.</li> <li>3. Wenn Sie Ihre Station außerhalb der US-Zeitzone in WUnderground platziert haben, ist die Sommerzeit ungültig. Um dieses Problem zu lösen, schalten Sie bitte die DST-Funktion in der Basisstation aus.</li> </ol>
Falsche Niederschlagswerte	<ol style="list-style-type: none"> <li>1. Bitte halten Sie den Regensammler sauber</li> <li>2. Stellen Sie sicher, dass die Kippwaage im Inneren reibungslos funktionieren kann</li> </ol>
Temperaturmessung tagsüber zu hoch	<ol style="list-style-type: none"> <li>1. Überprüfen Sie den Lüfter im Inneren des Sonnenschutzes auf seine Funktionstüchtigkeit.</li> <li>2. Achten Sie darauf, dass sich der Multisensor nicht zu nahe an wärmeerzeugenden Quellen oder Bauten, wie z.B. Gebäuden, Bürgersteigen, Wänden oder Klimaanlage, befindet.</li> </ol>
Über Nacht kann sich unter dem Solarmodul und dem UV-Sensor etwas Kondenswasser bilden	Dieses verschwindet, wenn die Temperatur tagsüber wieder ansteigt, und beeinträchtigt die Leistung des Geräts nicht.
Ventilator dreht sich nicht mehr	Der Lüfter wird durch ein Solarpanel angetrieben und beginnt unter 2 Bedingungen automatisch zu rotieren: 1. Wenn die Sonne auf das Solarmodul scheint, und 2. Die durchschnittliche Windgeschwindigkeit liegt 1 Minute lang unter 5 m/s.

## **SPEZIFIKATIONEN**

### **BASISSTATION**

#### **Grundlegende Spezifikationen**

Maße (B x H x T)	215 x 172 x 29 mm (8,5 x 6,8 x 1,1 Zoll)
Gewicht	639g (mit Batterien)
Hauptspannungsversorgung	DC 5V, 1A Adapter
Backup-Batterie	3 x AAA, 1.5V Batterien (Alkaline empfohlen)
Betriebstemperaturbereich	-5 °C ~ 50 °C

#### **Spezifikation der WI-FI-Kommunikation**

WI-FI-Standard	802.11 b/g/n
WI-FI Betriebsfrequenz :	2.4GHz
Unterstützter Router-Sicherheitstyp	WPA/WPA2, WPA3, OPEN, WEP (WEP unterstützt nur hexadezimale Passwörter)
Unterstütztes Gerät zur Einrichtung der Benutzeroberfläche	Eingebautes WI-FI mit AP-Modus Funktion Smart Devices, Laptops, usw.: Android Smartphone, Android Pad, iPhone, iPad oder Windows/Mac Computer
Empfohlener Webbrowser für die Einrichtung der Benutzeroberfläche	Webbrowser, die HTML 5 unterstützen, wie beispielsweise die neueste Version von Chrome, Safari, Edge, Firefox oder Opera.

## Spezifikationen für die Funksensor-Kommunikation

Unterstützte Sensoren	1x Multisensor 7-in-1 und bis zu 7 optionale Funk-Hygro-Thermosensoren für den Außenbereich
Funksignal-Frequenz (abhängig von der Landesversion)	868MHz (Version für EU und UK)
Funksignal-Übertragungsbereich	150 m

## Spezifikationen für zeitbezogene Funktionen

Zeitanzeige	HH: MM: SS
Zeitformat	12 Stunden AM / PM oder 24 Stunden
Datumsanzeige	DD (Tage) / MM (Monate) oder MM / DD
Zeitsynchronisierungsmethode	Über Internet-Zeitserver zur Synchronisation des UTCs
Wochentags Sprachen	EN / DE / FR / ES / IT / NL / RU
Zeitzone	13 Stunden
DST (Sommerzeit)	AUTO / AUS

## Spezifikationen zur Luftdruck-Anzeige & -Funktion

**Hinweis:** Die folgenden Details sind so aufgelistet wie sie auf dem Display angezeigt werden oder ablaufen.

Luftdruck-Einheit	hPa, inHg und mmHg
Messbereich	540 ~ 1100hPa (relativer Einstellungsbereich 930 ~ 1050hPa)
Genauigkeit	(700 ~ 1100 hPa $\pm$ 5 hPa) / (540 ~ 696 hPa $\pm$ 8 hPa) (20,67 ~ 32,48 inHg $\pm$ 0,15 inHg) / (15,95 ~ 20,55 inHg $\pm$ 0,24 inHg) (525 ~ 825 mmHg $\pm$ 3,8 mmHg) / (405 ~ 522 mmHg $\pm$ 6 mmHg) Typisch bei 25 °C (77 °F)
Auflösung	1hPa / 0 01inHg / 0 1mmHg
Wettervorhersage	Sonnig, Teilweise bewölkt, Bewölkt, Regnerisch, Regnerisch / Stürmisch und Schnee
Anzeigemodi	Gegenwärtig
Speichermodi	Historische Daten der letzten 24 Stunden, täglich Max / Min
Alarm	Luftdruckwechsel-Alarm

## Spezifikationen zur Innen-/Außentemperaturanzeige & Funktion

**Hinweis:** Die folgenden Details sind so aufgelistet wie sie auf dem Display angezeigt werden oder ablaufen.

Temperatureinheit	°C and °F
Außenbereichsgenauigkeit	-40~-20°C $\pm$ 1.0°C (-40 ~ -4°F $\pm$ 1.8°F) -19.9~0°C $\pm$ 0.7°C (-3.8 ~ 32°F $\pm$ 1.3°F) 0.1~60°C $\pm$ 0.4°C (-32.1 ~ 140°F $\pm$ 0.7°F)
Innenbereichsgenauigkeit	-40 ~ 60°C $\pm$ 0.4°C (-40 ~ 140°F $\pm$ 0.7°F)
Auflösung	°C / °F (1 Dezimalstelle)
Anzeigemodi	Gegenwärtig
Speichermodi	Historische Daten der letzten 24 Stunden, täglich Max / Min
Alarm	Höchst-/Tiefsttemperatur-Alarm



## Spezifikationen zur Luftfeuchtigkeitsanzeige & Funktion für den Innen- und Außenbereich

**Hinweis:** Die folgenden Details sind so aufgelistet wie sie auf dem Display angezeigt werden oder ablaufen.

Luftfeuchtigkeitseinheit	%
Außenbereichsgenauigkeit	1~9% RH ± 5% RH @25°C (77°F) 10~90% RH ± 3.5% RH @25°C (77°F) 91~99% RH ± 5% RH @25°C (77°F)
Innenbereichsgenauigkeit	1 ~ 90% RH ± 2.5% RH @ 25°C (77°F) 90 ~ 99% RH ± 3.5% RH @ 25°C (77°F)
Auflösung	1%
Anzeigemodi	Gegenwärtig
Speichermodi	Historische Daten der letzten 24 Stunden, Max / Min
Alarm	Höchst-/Tiefstluftfeuchtigkeits-Alarm

## Spezifikationen zur Windgeschwindigkeits- & -richtungsanzeige und Funktion

**Hinweis:** Die folgenden Details sind so aufgelistet wie sie auf dem Display angezeigt werden oder ablaufen.

Windgeschwindigkeitseinheit	mph, m/s, km/h und Knoten
Windgeschwindigkeits- anzeigebereich	0 ~ 112 mph, 50 m/s, 180 km/h, 97 Knoten
Auflösung	mph, m/s, km/h und Knoten (1 Dezimalstelle)
Geschwindigkeitsgenauigkeit	< 5m/s: +/- 0,8m/s; > 5m/s: +/- 6% (je nachdem, was größer ist)
Anzeigemodus	Böe / Durchschnitt
Speichermodi	Historische Daten der letzten 24 Stunden, Max / Min
Alarm	Alarm für die höchste Windgeschwindigkeit (Durchschnitt)
Anzeigemodus Windrichtung	16 Richtungen oder 360 Grad

## Spezifikationen zur Regenanzeige & Funktion

**Hinweis:** Die folgenden Details sind so aufgelistet wie sie auf dem Display angezeigt werden oder ablaufen

Niederschlagseinheit	mm und in
Niederschlagsgenauigkeit	± 7% oder 1 Spitze
Niederschlagsbereich	0 ~ 19999mm (0 ~ 787,3 in)
Auflösung	0,254 mm (3 Dezimalstellen in mm)
Anzeigemodi	Gegenwärtig
Speichermodi	Historie-Daten der letzten 24 Stunden, max.
Niederschlagsanzeigemodus	Stündlicher / Täglicher / Wöchentlicher / Monatlicher / Gesamter Niederschlag
Alarm	Niederschlagsalarm für täglichen Höchstwert

## SPEZIFIKATIONEN ZUR UV-INDEX-ANZEIGE & FUNKTION

**Hinweis:** Die folgenden Details sind so aufgeführt, wie sie auf der Basisstation angezeigt werden oder funktionieren.

Anzeigebereich	0 ~ 16
Auflösung	1 Dezimalstelle
Anzeigemodus	UV-Index, Sonnenbrandzeit
Speichermodi	Historische Daten der letzten 24 Stunden, Max
Alarm	Hallo UV-Alarm

## LICHTSTÄRKE ANZEIGE UND FUNKTIONSSPEZIFIKATION

**Hinweis:** Die folgenden Details sind so aufgelistet wie sie auf dem Display angezeigt werden oder ablaufen.

Lichtintensitätseinheit	Klux, Kfc and W/m <sup>2</sup>
Anzeigebereich	0 ~ 200Klux
Auflösung	Klux, Kfc und W/m <sup>2</sup> (2 Dezimalstellen)
Speichermodi	Historische Daten der letzten 24 Stunden, Max
Alarm	Warnung vor hoher Lichtintensität

## Spezifikationen zur Wetterindex-Anzeige & Funktion

**Hinweis:** Die folgenden Details sind so aufgelistet wie sie auf dem Display angezeigt werden oder ablaufen

Wetterindex-Modi	Feels like (Gefühlte Temperatur), Windkühle, Hitze-Index und Taupunkt
Anzeigebereich Feels like	-65 ~ 50 °C
Anzeigebereich Taupunkt	-20 ~ 80 °C
Anzeigebereich Wärmeindex	-26 ~ 50 °C
Anzeigebereich Windkühle	-65 ~ 18 °C (Windgeschwindigkeit > 4,8 km/h)
Anzeigemodi	Gegenwärtig
Speichermodi	Datenhistorie der letzten 24 Stunden, max./min.
Alarm	Gefühlte Temperatur Hi/Lo-Alarm; Taupunkt Hi/Lo-Alarm; Hitzeindex Hi-Alarm, Windchill Lo-Alarm

## 7-IN-1 FUNKSENSOR

Maße (B x H x T)	390 x 230 x 165 mm (15,4 x 9,1 x 6,5 Zoll) (ohne Stange und Ständer)
Gewicht	599g (ohne Batterien)
Ersatzstromversorgung	3 x AA Batterien, je 1,5V (Nicht wiederaufladbare Lithium-Batterien empfohlen)
Wetterdaten	Temperatur, Luftfeuchtigkeit, Windgeschwindigkeit, Windrichtung, Niederschlag, UV-Index und Lichtintensität
Funksignal- Übertragungsbereich	150 m
Funkfrequenz (abhängig von der Landesversion)	868 Mhz (EU oder UK)
Übertragungsintervall	12 Sekunden
Betriebsbereich	-40 ~ 60°C (-40 ~ 140°F)
Betriebsluftfeuch- tigkeitsbereich	1 ~ 99 % RH nicht kondensierend

## THERMO-HYGRO-FUNKSENSOR

Maße (B x H x T)	58 x 125 x 19 mm (2.3 x 4.9 x 0.7in)
Gewicht	144g (mit Batterien)
Hauptspannungsversorgung	2 x AA Batterien á 1,5V (Alkalibatterien empfohlen)
Wetterdaten	Temperatur und Luftfeuchtigkeit
Funksignal-Frequenz	868MHz (EU oder UK)

Funksignal-Übertragungsbereich	150 m (492 Fuß) gerade Strecke
Übertragungsintervall	60 Sekunden
Betriebstemperaturbereich	-20 ~ 60°C (-20 ~ 140°F)
Betriebsluftfeuchtigkeitsbereich	RH 1% bis 99% (nicht kondensierend)


## EG-KONFORMITÄTSERKLÄRUNG


**CE** Hiermit erklärt die Bresser GmbH, dass der Funkanlagentyp mit Artikelnummer WSX3001000000 der Richtlinie 2014/53/EU entspricht. Der vollständige Text der EG-Konformitätserklärung ist unter der folgenden Internetadresse verfügbar:  
[www.bresser.de/download/WSX3001/CE/WSX3001\\_CE.pdf](http://www.bresser.de/download/WSX3001/CE/WSX3001_CE.pdf)

## HINWEISE ZUR REINIGUNG

- Trennen Sie das Gerät vor der Reinigung von der Stromquelle (Netzstecker ziehen oder Batterien entfernen)!
- Folgen Sie den gesonderten Anweisungen zur Wartung in dieser Anleitung.
- Um Schäden an der Elektronik zu vermeiden, verwenden Sie keine Reinigungsflüssigkeit.

## ENTSORGUNG

 Entsorgen Sie die Verpackungsmaterialien sortenrein. Beachten Sie bitte bei der Entsorgung des Geräts die aktuellen gesetzlichen Bestimmungen. Informationen zur fachgerechten Entsorgung erhalten Sie bei den kommunalen Entsorgungsdienstleistern oder dem Umweltamt.

 Werfen Sie Elektrogeräte nicht in den Hausmüll! Gemäß der Europäischen Richtlinie 2002/96/EG über Elektro- und Elektronik-Altgeräte und deren Umsetzung in nationales Recht, müssen verbrauchte Elektrogeräte getrennt gesammelt und einer umweltgerechten Wiederverwertung zugeführt werden.

## GARANTIE & SERVICE

Die reguläre Garantiezeit beträgt 2 Jahre und beginnt am Tag des Kaufs. Um von einer verlängerten, freiwilligen Garantiezeit wie auf dem Geschenkkarton angegeben zu profitieren, ist eine Registrierung auf unserer Website erforderlich.

Die vollständigen Garantiebedingungen sowie Informationen zu Garantiezeitverlängerung und Serviceleistungen können Sie unter [www.bresser.de/garantiebedingungen](http://www.bresser.de/garantiebedingungen) einsehen.

# Service

## DE AT CH BE

Bei Fragen zum Produkt und eventuellen Reklamationen nehmen Sie bitte zunächst mit dem Service-Center Kontakt auf, vorzugsweise per E-Mail.

E-Mail: [service@bresser.de](mailto:service@bresser.de)

Telefon\*: +49 28 72 80 74 350

### **BRESSER GmbH**

Kundenservice  
Gutenbergstr. 2  
46414 Rhede  
Deutschland

\*Lokale Rufnummer in Deutschland (Die Höhe der Gebühren je Telefonat ist abhängig vom Tarif Ihres Telefonanbieters); Anrufe aus dem Ausland sind mit höheren Kosten verbunden.

## GB IE

Please contact the service centre first for any questions regarding the product or claims, preferably by e-mail.

E-Mail: [service@bresseruk.com](mailto:service@bresseruk.com)

Telephone\*: +44 1342 837 098

### **BRESSER UK Ltd.**

Suite 3G, Eden House  
Enterprise Way  
Edenbridge, Kent TN8 6HF  
Great Britain

\*Number charged at local rates in the UK (the amount you will be charged per phone call will depend on the tariff of your phone provider); calls from abroad will involve higher costs.

## FR BE

Si vous avez des questions concernant ce produit ou en cas de réclamations, veuillez prendre contact avec notre centre de services (de préférence via e-mail).

E-Mail: [sav@bresser.fr](mailto:sav@bresser.fr)

Téléphone\*: 00 800 6343 7000

### **BRESSER France SARL**

Pôle d'Activités de Nicopolis  
314 Avenue des Chênes Verts  
83170 Brignoles  
France

\*Prix d'un appel local depuis la France ou Belgique

## NL BE

Als u met betrekking tot het product vragen of eventuele klachten heeft kunt u contact opnemen met het service centrum (bij voorkeur per e-mail).

E-Mail: [info@bresserbenelux.nl](mailto:info@bresserbenelux.nl)

Telefoon\*: +31 528 23 24 76

### **BRESSER Benelux**

Smirnoffstraat 8  
7903 AX Hoogeveen  
The Netherlands

\*Het telefoonnummer wordt in het Nederland tegen lokaal tarief in rekening gebracht. Het bedrag dat u per gesprek in rekening gebracht zal worden, is afhankelijk van het tarief van uw telefoon provider; gesprekken vanuit het buitenland zullen hogere kosten met zich meebrengen.

## ES PT

Si desea formular alguna pregunta sobre el producto o alguna eventual reclamación, le rogamos que se ponga en contacto con el centro de servicio técnico (de preferencia por e-mail).

E-Mail: [servicio.iberia@bresser-iberia.es](mailto:servicio.iberia@bresser-iberia.es)

Teléfono\*: +34 91 67972 69

### **BRESSER Iberia SLU**

c/Valdemorillo,1 Nave B  
P.I. Ventorro del Cano  
28925 Alcorcón Madrid  
España

\*Número local de España (el importe de cada llamada telefónica dependen de las tarifas de los distribuidores); Las llamadas des del extranjero están ligadas a costes suplementarios..



---

**Bresser GmbH**  
Gutenbergstraße 2  
46414 Rhede · Germany  
[www.bresser.de](http://www.bresser.de)

   @BresserEurope

**Bresser UK Ltd.**  
Suite 3G, Eden House  
Enterprise Way  
Edenbridge, Kent TN8 6HF  
Great Britain

